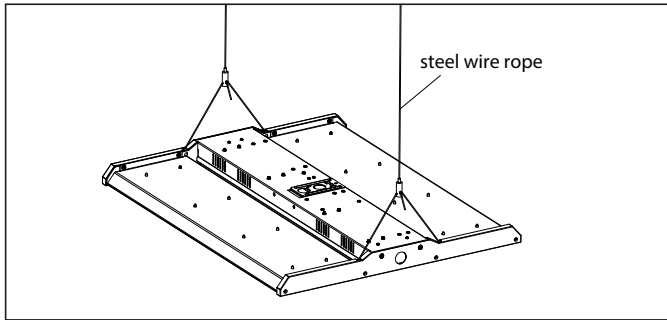


WARNING

1. Turn power off before inspection, installation or removal.
2. The installation should be performed by qualified electricians or lighting technicians.
3. Before conducting any installation, maintenance, or removal, disable all power to the luminaries and wait until the fixture cool down.
4. Do not touch the fixture while it is in service.
5. If there is any problem with the fixture, DO turn off power and DO NOT attempt repair unless you are a qualified technician or the customer service member.
6. This product is not available for several special environments, such as places with corrosive gas liquids or high pressure water vapor.

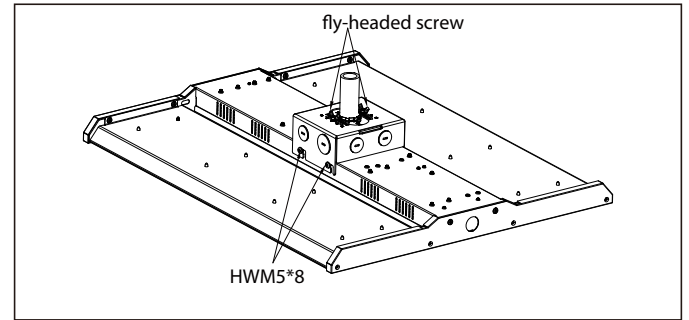
1. Mounting With Steel Wire Rope



Inspect the fixture condition and accessories before installation.

1. Each of the two steel wire rope hooks on both ends of the mounting holes on fixture.
2. Remove the access plate, take the wires out of the power driver compartment and through the hole of access plate, make wiring and re-install the access plate, then plug the flexible conduit into the hole of the access plate.

2. Conduit Pendant



1. Installing the adjustable board in square J-BOX with M4*8 fly-headed flat bottom screw, and pass the 3/4" conduit through adjustable board, then fix it with J-BOX. (nut is provided by others)
2. Attach fixture to the hanger of square J-BOX, and connecting wires
3. Placing fixture horizontally, and fix it with J-BOX by using M5*8 screws

WIRING

Universal voltage driver permits operation at 120V thru 277V, 60 Hz. For 0-10V Dimming, follow the wiring directions as in fig 1.

1. Connect the black fixture lead to the (+) LINE supply lead.
2. Connect the white fixture lead to the (-) COMMON supply lead.
3. Connect the GROUND wire from fixture to supply ground. Do NOT connect the GROUND of the dimming fixture to the output.
4. Connect the purple fixture lead to the (V+) DIM lead.
5. Connect the gray fixture lead to the (V-) DIM lead.

TROUBLESHOOTING

1. Check that the line voltage at the fixture is correct. Refer to wiring directions.
2. Is the fixture grounded properly?
3. Be sure the motion sensor, if used, is functioning properly.

CLEANING & MAINTENANCE

CAUTION: Be sure fixture temperature is cool enough to touch. Do not clean or maintain while fixture is energized.

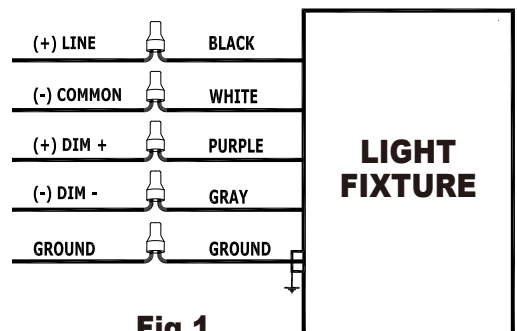


Fig 1.

ACCESSORY LIST

Type	Accessory Name	Accessory Model	Quantity
Chain and bracket kit	Aircraft cable	1.5X1500mm,A set of aircraft cable(with each 150mm long)	2
Mounting box	Square junction box	MLH0322-L126W110H60,Square junction box	1
	Adjustable board for J-BOX installation	HB22/24GP-L110W63T1.5,adjustable board for J-BOX installation	1
	Screw	HWM5*8,thicker hexagon head cross screw	2
	Screw	M4*8,fly-headed flat bottom screw	2