



15W

30W

45W

## Product Overview

The GKOFD03 Mini LED Flood Light is designed for energy-efficient small area floodlighting solutions. A trunnion mount or an adjustable knuckle mount provides mounting flexibility. This powerful LED luminaire is the perfect choice for many applications, including walkways, landscape, facade, or small area illumination.



## Key Features

### CONSTRUCTION:

- Rugged single-piece, die-cast aluminum housing with integral heat sink fins.
- Housing has direct contact with the driver to help maintain low temperature and long lifespan.
- Housing is completely sealed against moisture and environmental contaminants.

### FINISH:

- The exterior is protected by a rust-resistant powder coat finish that provides superior resistance to weathering and corrosion.

### OPTICS:

- Standard NEMA 7Hx7V light dispersion.
- Light engines are available in standard 3000K, 4000K, and 5000K configurations.
- A range of lumen options available from 1,393 to 5,400 Lumens, replaces up to 150W metal halide.
- Impact and UV-resistant polycarbonate lens is precisely designed to give a specific light distribution, maximizing efficiency and application spacing.

### ELECTRICAL:

- Universal 120-277V input voltage.
- THD:  $\leq 20\%$ , Power Factor:  $\geq 90\%$ .

### INSTALLATION:

- Knuckle mount or trunnion mount options are available.

### LIFESPAN:

- Estimated 50,000-hour LED lifespan based on IES LM-80 results and TM-21 calculations.

### LISTINGS:

- DesignLights Consortium® (DLC) qualified.
- UL listed for wet locations.
- Rated for ambient operating temperature  $-40^{\circ}\text{F}$  to  $113^{\circ}\text{F}$  ( $-40^{\circ}\text{C}$  to  $45^{\circ}\text{C}$ ).

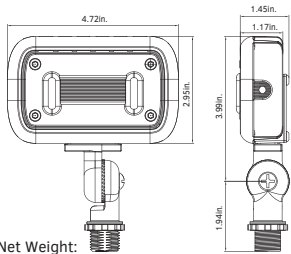
# Performance Data

## Lumen Output

System Watts	Voltage	3000K(70CRI)		4000K(70CRI)		5000K(70CRI)	
		Lumens	Efficacy	Lumens	Efficacy	Lumens	Efficacy
15W	120-277V	1373lm	93lm/W	1500lm	100lm/W	1500lm	100lm/W
30W	120-277V	2693lm	95lm/W	3000lm	100lm/W	3000lm	100lm/W
45W	120-277V	5152lm	114lm/W	5400lm	120lm/W	5400lm	120lm/W

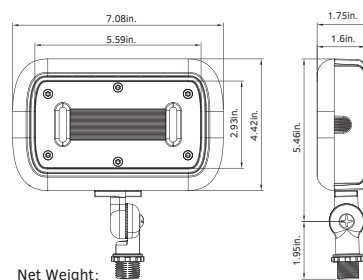
## Dimensions & Weight

15W (Knuckle Mount)



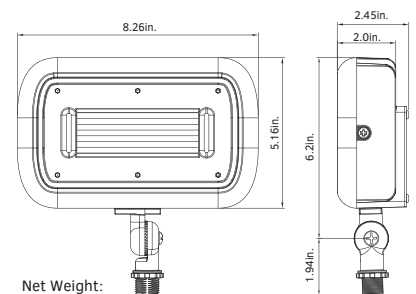
Net Weight:  
0.939lb

30W (Knuckle Mount)



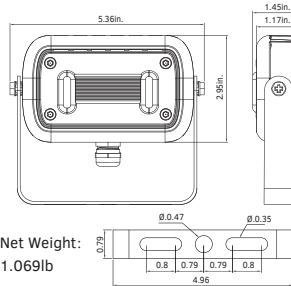
Net Weight:  
1.887lb

45W (Knuckle Mount)



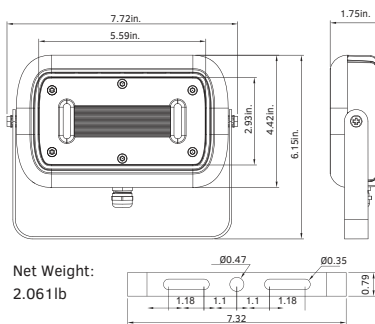
Net Weight:  
3.893lb

15W (Trunnion Mount)



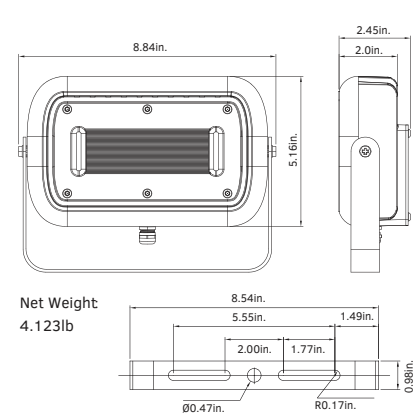
Net Weight:  
1.069lb

30W (Trunnion Mount)



Net Weight:  
2.061lb

45W (Trunnion Mount)



Net Weight:  
4.123lb

## Ordering Information

Mini Flood Light Series GKOFD03						Example: GKOFD15W27V50KBDB77	
Fixture Type	Wattage	Voltage	CCT	Finish	Beam Angle (NEMA)	Mounting	
<input type="text"/>	<input type="text"/>	<input type="text"/>	<input type="text"/>	<input type="text"/>	<input type="text"/>	Omitted in DLC Model Numbers	
GKOFD	15W 30W 45W	27V 120-277V	30K 3000K 40K 4000K 50K 5000K	D Dark Bronze B Black W White	B77 7Hx7V	KN	Knuckle Mount
						TR	Trunnion Mount



10330 Argonne Woods Dr. Ste. 200  
Woodridge, IL 60517  
Phone: 630-793-9449  
Web: www.gkoled.com