



GKOCPO5 27W / 40W / 60W

Product Overview

The traditional style of the cost-effective GKOCPO5 Square Canopy Light is designed to harmonize with current building aesthetics. Providing years of maintenance-free general illumination for outdoor applications, it is ideal for entrances, parking garages, covered walkways and loading docks.



Key Features

CONSTRUCTION:

- Rugged die-cast aluminum housing with integral heat sink fins.
- Housing has direct contact with the driver to help maintain low temperature and long lifespan.
- Housing is completely sealed against moisture and environmental contaminants.

FINISH:

- The exterior is protected by a rust-resistant powder coat finish that provides superior resistance to weathering and corrosion.

OPTICS:

- Parking garage light distribution.
- Light engines are available in standard 4000K and 5000K configurations.
- A range of lumen options available from 3,785 to 8,061 Lumens, replaces up to 250W metal halide.
- Impact and UV-resistant polycarbonate lens is precisely designed to give a specific light distribution, maximizing efficiency and application spacing.

ELECTRICAL:

- Universal 120-277V input voltage.
- 1-10V dimming driver(s) optional.
- THD: $\leq 20\%$, Power Factor: $\geq 90\%$.

CONTROLS:

- Optional multi-level motion sensor - BRI819.
- Optional emergency battery backup provides up to 90 minutes of operation during outages.

INSTALLATION:

- Surface mount or pendant mount options are available.
- Quick-mount bracket eliminates the need to open luminaire for installation.

LIFESPAN:

- Estimated 50,000-hour LED lifespan based on IES LM-80 results and TM-21 calculations.

LISTINGS:

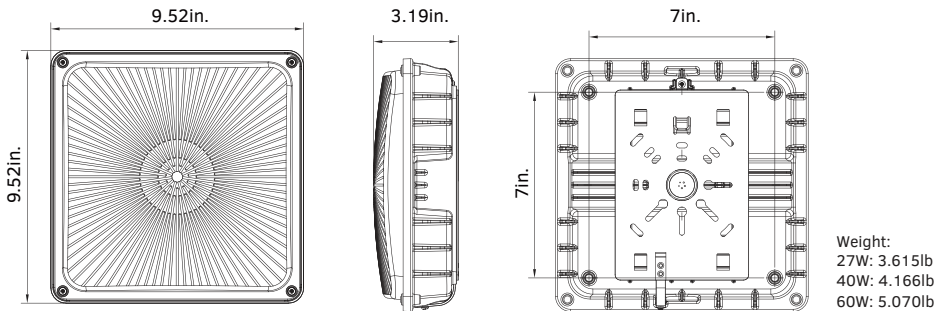
- DesignLights Consortium® (DLC) Premium qualified and DLC qualified.
- UL listed for wet locations.
- Rated for ambient operating temperature -40°F to 104°F (-40°C to 40°C).

Performance Data

Lumen Output

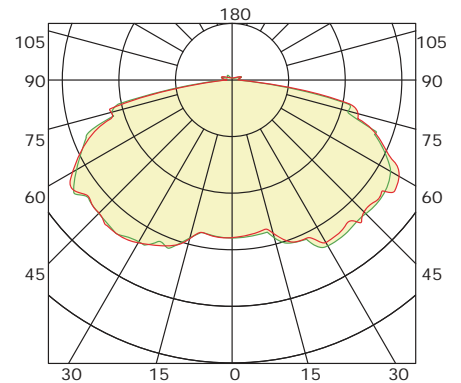
System Watts	Voltage	Photometry	4000K(70CRI)		5000K(70CRI)	
			Lumens	Efficacy	Lumens	Efficacy
27W	120-277V	Parking Garage	3785lm	140lm/W	3800lm	141lm/W
40W	120-277V	Parking Garage	5374lm	134lm/W	5450lm	136lm/W
60W	120-277V	Parking Garage	7860lm	130lm/W	8061lm	133lm/W

Dimensions & Weight



Light Distribution

Parking Garage Pattern



Ordering Information

Square Canopy Light Series GKOCPO5						Example: GKOCPO560W27V50KDMDDB	
Fixture Type	Wattage	Voltage	CCT	Finish	Sensor (Optional)	Dimmable (Optional)	Emergency Battery
<input type="checkbox"/>	<input type="checkbox"/>	<input type="checkbox"/>	<input type="checkbox"/>	<input type="checkbox"/>	<input type="checkbox"/>	<input type="checkbox"/>	<input type="checkbox"/>
GKOCPO5	27W 40W 60W	27V 120-277V	40K 4000K 50K 5000K	D Dark Bronze B Black W White SG Silver Gray	M With 120-277V Sensor Blank Without Sensor	D 1-10V Dimmable Blank Non-Dimmable	B Emergency Battery Blank No Battery

Note: 1. 60W Canopy Light is DLC Premium qualified and others are DLC qualified.
 2. Not all product variations listed on this page are DLC qualified. Visit www.designlights.org/search to confirm qualification.