



15W / 27W

45W / 60W

70W / 100W

135W / 200W

350W

## Product Overview

GKOFD08 Flood Lights are a high performance LED lighting solution with a traditional design. The rugged cast aluminum housing meets greater wind load requirements and features an integral, watertight LED driver compartment and high performance aluminum heat sinks. Suitable for parking lots, walkways, campuses, dealerships, office complexes, internal roadways and other uplighting applications.



## Key Features

### CONSTRUCTION:

- Rugged die-cast aluminum housing with integral heat sink fins.
- Housing has direct contact with the driver to help maintain low temperature.
- Vented housing isolates LED module from driver, maximizing product life and performance.
- Housing is completely sealed against moisture and environmental contaminants.

### FINISH:

- The exterior is protected by a rust-resistant powder coat finish that provides superior resistance to weathering and corrosion.

### OPTICS:

- Wide light distribution with NEMA standard 7Hx6V or 4Hx4V beam angle.
- Light engines are available in standard 3000K, 3500K, 4000K, and 5000K configurations.
- A wide range of lumen options available from 2,000 to 50,000 Lumens, replaces up to 1,000W metal halide.

### ELECTRICAL:

- Universal 120-277V or 347-480V input voltage.
- 1-10V dimming driver(s) option is available, for 70W and above.
- THD: ≤20%, Power Factor: ≥90%.

### CONTROLS:

- Optional button photocell for further energy savings - P0 120-277V.

### INSTALLATION:

- Knuckle, slipfitter, yoke, and trunnion mount are available.
- Designed to be suitable for installation by only one person.

### LIFESPAN:

- Estimated 100,000-hour LED lifespan based on IES LM-80 results and TM-21 calculations.

### LISTINGS:

- DesignLights Consortium® (DLC) Premium qualified.
- UL Wet Location Listed.
- Rated for ambient operating temperature -40°F to 113°F (-40°C to -45°C).

# Performance Data

## Lumen Output

| System Watts | Voltage  | NEMA  | CRI | 3000K   |          | 4000K   |          | 5000K   |          |
|--------------|----------|-------|-----|---------|----------|---------|----------|---------|----------|
|              |          |       |     | Lumens  | Efficacy | Lumens  | Efficacy | Lumens  | Efficacy |
| 15W          | 120-277V | 7Hx6V | 70  | 1950lm  | 130lm/W  | 2000lm  | 133lm/W  | 2000lm  | 133lm/W  |
| 27W          | 120-277V | 7Hx6V | 70  | 3500lm  | 130lm/W  | 3600lm  | 133lm/W  | 3600lm  | 133lm/W  |
| 45W          | 120-277V | 7Hx6V | 70  | 5550lm  | 123lm/W  | 5650lm  | 126lm/W  | 5650lm  | 126lm/W  |
| 60W          | 120-277V | 7Hx6V | 70  | 7250lm  | 121lm/W  | 7450lm  | 124lm/W  | 7450lm  | 124lm/W  |
| 60W          | 347-480V | 7Hx6V | 70  | 7500lm  | 125lm/W  | 7600lm  | 127lm/W  | 7600lm  | 127lm/W  |
| 70W          | 120-277V | 7Hx6V | 70  | 8700lm  | 124lm/W  | 8900lm  | 127lm/W  | 8900lm  | 127lm/W  |
| 70W          | 347-480V | 7Hx6V | 70  | 9100lm  | 130lm/W  | 9300lm  | 133lm/W  | 9300lm  | 133lm/W  |
| 90W          | 347-480V | 7Hx6V | 70  | 12000lm | 133lm/W  | 12400lm | 138lm/W  | 12400lm | 138lm/W  |
| 100W         | 120-277V | 7Hx6V | 70  | 13100lm | 131lm/W  | 13300lm | 133lm/W  | 13300lm | 133lm/W  |
| 135W         | 120-277V | 4Hx4V | 70  | 17500lm | 130lm/W  | 18000lm | 133lm/W  | 18000lm | 133lm/W  |
| 135W         | 347-480V | 4Hx4V | 70  | 17500lm | 130lm/W  | 18000lm | 133lm/W  | 18000lm | 133lm/W  |
| 135W         | 120-277V | 7Hx6V | 70  | 17500lm | 130lm/W  | 18000lm | 133lm/W  | 18000lm | 133lm/W  |
| 135W         | 347-480V | 7Hx6V | 70  | 17500lm | 130lm/W  | 18000lm | 133lm/W  | 18000lm | 133lm/W  |
| 200W         | 120-277V | 4Hx4V | 70  | 26000lm | 130lm/W  | 26500lm | 133lm/W  | 26500lm | 133lm/W  |
| 200W         | 347-480V | 4Hx4V | 70  | 26000lm | 130lm/W  | 26500lm | 133lm/W  | 26500lm | 133lm/W  |
| 200W         | 120-277V | 7Hx6V | 70  | 25300lm | 127lm/W  | 26200lm | 131lm/W  | 26200lm | 131lm/W  |
| 200W         | 347-480V | 7Hx6V | 70  | 25300lm | 127lm/W  | 26200lm | 131lm/W  | 26200lm | 131lm/W  |
| 350W         | 120-277V | 4Hx4V | 70  | 48000lm | 137lm/W  | 49500lm | 141lm/W  | 49500lm | 141lm/W  |
| 350W         | 347-480V | 4Hx4V | 70  | 48000lm | 137lm/W  | 49500lm | 141lm/W  | 49500lm | 141lm/W  |
| 350W         | 120-277V | 7Hx6V | 70  | 48000lm | 137lm/W  | 50000lm | 143lm/W  | 50000lm | 143lm/W  |
| 350W         | 347-480V | 7Hx6V | 70  | 48000lm | 137lm/W  | 50000lm | 143lm/W  | 50000lm | 143lm/W  |

## Electrical Data

| Number Of Drivers | Driver Current (mA) | Nominal Power (W) | Input Voltage (V) | Current (Amps) |
|-------------------|---------------------|-------------------|-------------------|----------------|
| 1                 | 250                 | 15                | 120               | 0.13           |
|                   |                     | 15                | 208               | 0.07           |
|                   |                     | 15                | 240               | 0.06           |
|                   |                     | 15                | 277               | 0.05           |
| 1                 | 430                 | 27                | 120               | 0.23           |
|                   |                     | 27                | 208               | 0.13           |
|                   |                     | 27                | 240               | 0.11           |
|                   |                     | 27                | 277               | 0.10           |
| 1                 | 770                 | 45                | 120               | 0.38           |
|                   |                     | 45                | 208               | 0.22           |
|                   |                     | 45                | 240               | 0.19           |
|                   |                     | 45                | 277               | 0.16           |
| 1                 | 920                 | 60                | 120               | 0.50           |
|                   |                     | 60                | 208               | 0.29           |
|                   |                     | 60                | 240               | 0.25           |
|                   |                     | 60                | 277               | 0.22           |
| 1                 | 1600                | 60                | 347               | 0.17           |
|                   |                     | 60                | 480               | 0.13           |
| 1                 | 1750                | 70                | 120               | 0.58           |
|                   |                     | 70                | 208               | 0.34           |
|                   |                     | 70                | 240               | 0.29           |
|                   |                     | 70                | 277               | 0.25           |
| 1                 | 1850                | 70                | 347               | 0.20           |
|                   |                     | 70                | 480               | 0.15           |
| 1                 | 2600                | 100               | 120               | 0.83           |
|                   |                     | 100               | 208               | 0.48           |
|                   |                     | 100               | 240               | 0.42           |
|                   |                     | 100               | 277               | 0.36           |
| 2                 | 2400                | 90                | 347               | 0.26           |
|                   |                     | 90                | 480               | 0.19           |



# Electrical Data

| Number Of Drivers | Driver Current (mA) | Nominal Power (W) | Input Voltage (V) | Current (Amps) |
|-------------------|---------------------|-------------------|-------------------|----------------|
| 2                 | 3500                | 135               | 120               | 1.13           |
|                   |                     | 135               | 208               | 0.65           |
|                   |                     | 135               | 240               | 0.56           |
|                   |                     | 135               | 277               | 0.49           |
|                   |                     | 135               | 347               | 0.39           |
|                   |                     | 135               | 480               | 0.28           |
| 2                 | 5000                | 200               | 120               | 1.67           |
|                   |                     | 200               | 208               | 0.96           |
|                   |                     | 200               | 240               | 0.83           |
|                   |                     | 200               | 277               | 0.72           |
|                   |                     | 200               | 347               | 0.58           |
|                   |                     | 200               | 480               | 0.42           |
| 1                 | 5600                | 350               | 120               | 2.92           |
|                   |                     | 350               | 208               | 1.68           |
|                   |                     | 350               | 240               | 1.46           |
|                   |                     | 350               | 277               | 1.26           |
|                   |                     | 350               | 347               | 1.01           |
|                   |                     | 350               | 480               | 0.73           |

# EPA of Flood Light

|           | 1      | 2 @90° | 2 @120° | 2@180° | 3 @90° | 3 @120° | 4 @90° |
|-----------|--------|--------|---------|--------|--------|---------|--------|
| 70W/100W  | 0.2885 | 0.6097 | 0.7475  | 0.577  | 0.8982 | 0.8196  | 0.8982 |
| 135W/200W | 0.3868 | 0.8125 | 0.9973  | 0.7736 | 1.1993 | 1.0874  | 1.1993 |
| 350W      | 0.536  | 1.061  | 1.278   | 1.072  | 1.597  | 1.803   | 1.597  |

# Dimensions & Weight

### 15W/27W (Knuckle Mount)

Weight  
15W: 1.61 lb  
27W: 1.7 lb

### 15W/27W (Trunnion Mount)

Weight  
15W: 1.7 lb  
27W: 1.79 lb

### 45W/60W (Knuckle Mount)

Weight  
45W: 2.93 lb  
60W: 3.15 lb

### 45W/60W (Trunnion Mount)

Weight  
45W: 3.53 lb  
60W: 3.75 lb

### 70W/100W (Slipfitter Mount)

Weight  
70W: 8.36 lb  
100W: 10.16 lb

### 70W/100W (Yoke Mount)

Weight  
70W: 7.43 lb  
100W: 9.24 lb

### 135W/200W (Slipfitter Mount)

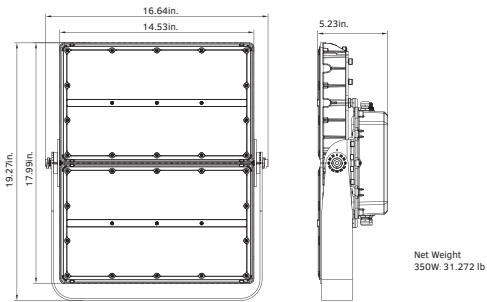
Weight  
135W: 14.17 lb  
200W: 15.15 lb

### 135W/200W (Yoke Mount)

Weight  
135W: 13.43 lb  
200W: 14.41 lb

# Dimensions & Weight

## 350W(Trunnion Mount)



# Mounting Information



1/2" NPS Knuckle Mount (15W/27W/45W/60W)



Trunnion Mount (15W/27W/45W/60W/350W)



Yoke Mount (70W/100W/135W/200W)



Slipfitter Mount (70W/100W/ 135W/200W)

# Ordering Information

| Traditional Flood Light Series GKOFD08 |                          |                              |                          |                          |  | Example: GKOFD0860W27V50KDDP0B76KN                             |                                      |   |  |
|--|--------------------------|------------------------------|--------------------------|--------------------------|--|--|--------------------------------------|---|--|
| Fixture Type                           | Wattage                  | Voltage                      | CCT                      | Dimming                  | Finish   | Photocell (Optional)   | Beam Angle (NEMA)                    | Mounting  |  |
| <input type="checkbox"/>               | <input type="checkbox"/> | <input type="checkbox"/>     | <input type="checkbox"/> | <input type="checkbox"/> | <input type="checkbox"/>                                 | <input type="checkbox"/>                                       | <input type="checkbox"/>             | <input type="checkbox"/>  |  |
| <b>GKOFD08</b>                         | 15W                      | 27V 120-277V                 | 30K 3000K                | <b>D</b> 1-10V Dimmable  | <b>D</b> Dark Bronze<br><b>B</b> Black<br><b>W</b> White | <b>P0</b> 120-277V Photocell<br><b>Blank</b> Without Photocell | <b>B76</b> 7Hx6V<br><b>B44</b> 4Hx4V | <b>KN</b> Knuckle Mount<br><b>TR</b> Trunnion Mount<br><b>SP</b> Slipfitter Mount<br><b>YK</b> Yoke Mount |  |
|  | 27W                      |                              | 35K 3500K                |                          |  |  |                                      |   |  |
|  | 45W                      |                              | 40K 4000K                |                          |  |  |                                      |   |  |
|  | 60W                      | 27V 120-277V<br>48V 347-480V | 50K 5000K                |                          |  |  |                                      |   |  |
|  | 70W                      |                              |                          |                          |  |  |                                      |   |  |
|  | 100W                     |                              |                          |                          |  |  |                                      |   |  |
|  | 135W                     |                              |                          |                          |  |  |                                      |   |  |
| 200W                                   |                          |                              |                          |                          |  |  |                                      |   |  |
| 350W                                   |                          |                              |                          |                          |  |  |                                      |   |  |

- Note: 1. 70W is available with and without dimming options. All wattages above 70W are dimmable only, and all wattages below 70W are non-dimmable only.  
 2. Only 135W, 200W, and 350W are available with a NEMA 4Hx4V distribution.  
 3. Not all mounting options are available for all wattages. Please refer to the Mounting Information section above for compatibility.  
 4. Not all product variations listed on this page are DLC qualified. Visit [www.designlights.org/search](http://www.designlights.org/search) to confirm qualification.