



SMALL SIZE:
GKOAL01 70W / 105W



MEDIUM SIZE:
GKOAL02 150W / 200W



LARGE SIZE:
GKOAL02 250W / 300W

Product Overview

GKOAL01 & GKOAL02 Area Lights are an energy-efficient replacement for a traditional metal halide area light, up to 1,000W. 150W and above are DLC Premium, while 70W and 105W are DLC Listed. They are also UL Wet Location Listed, making them ideal for outdoor applications.



Key Features

CONSTRUCTION:

- Rugged single-piece, die-cast aluminum housing with integral heat sink fins.
- Housing has direct contact with the driver to help maintain low temperature and long lifespan.
- 3G vibration rated per ANSI C136.31, low EPA (0.56ft for 300W).
- Housing is completely sealed against moisture and environmental contaminants.

OPTICS:

- Type III, IV, V light distribution available.
- Light engines are available in standard 4000K and 5000K configurations.
- A wide range of lumen options available from 8,750 to 43,000 Lumens, replaces up to 1,000W metal halide.
- Impact and UV-resistant polycarbonate lens is precisely designed to give a specific light distribution, maximizing efficiency and application spacing.

ELECTRICAL:

- Universal 120-277V or 347-480V input voltage.
- 10KV surge protection for 120-277V and 20KV surge protection for 347-480V.
- 1-10V dimming driver(s) as default.
- THD: ≤20%, Power Factor: ≥90%.

CONTROLS:

- Optional twist-lock photocell for additional energy savings - P0 120-277V, P3 347V, or P4 480V.

INSTALLATION:

- Suitable for mounting heights ranging from 20'-50' in area lighting applications.
- Round pole, square pole, slipfitter and wall mount are available.
- Designed to be suitable for installation by only one person.

LIFESPAN:

- Estimated 100,000-hour LED lifespan based on IES LM-80 results and TM-21 calculations.
- 10 Year warranty above 105W, 5 Year warranty 105W and below.

LISTINGS:

- DesignLights Consortium® (DLC) Premium qualified and DLC qualified.
- UL listed for wet locations.
- Rated for ambient operating temperature -40°F to 113°F (-40°C to 45°C).

Performance Data

Lumen Output

System Watts	Voltage	Distribution Type	4000K(70CRI)		5000K(70CRI)	
			Lumens	Efficacy	Lumens	Efficacy
70W	120-277V	3	9000lm	129lm/W	9000lm	129lm/W
	120-277V	4	8750lm	125lm/W	8800lm	126lm/W
	120-277V	5	9500lm	136lm/W	9500lm	136lm/W
75W	347-480V	3	9000lm	120lm/W	9000lm	120lm/W
	347-480V	4	8750lm	117lm/W	8800lm	117lm/W
	347-480V	5	9000lm	127lm/W	9500lm	127lm/W
105W	120-277V	3	13400lm	128lm/W	13400lm	128lm/W
	120-277V	4	13000lm	124lm/W	13100lm	124lm/W
	120-277V	5	13400lm	128lm/W	13400lm	128lm/W
110W	347-480V	3	13400lm	122lm/W	13400lm	122lm/W
	347-480V	4	13000lm	118lm/W	13100lm	119lm/W
	347-480V	5	13400lm	122lm/W	13400lm	122lm/W
150W	120-277V	3	19497lm	129lm/W	19700lm	131lm/W
	120-277V	4	18800lm	125lm/W	18800lm	125lm/W
	120-277V	5	21385lm	141lm/W	21150lm	141lm/W
150W	347-480V	3	19608lm	130lm/W	19700lm	131lm/W
	347-480V	4	18000lm	120lm/W	18500lm	123lm/W
	347-480V	5	22292lm	145lm/W	21150lm	141lm/W
200W	120-277V	3	26096lm	126lm/W	26200lm	131lm/W
	120-277V	4	25000lm	125lm/W	25000lm	125lm/W
	120-277V	5	27086lm	135lm/W	27200lm	136lm/W
200W	347-480V	3	26380lm	130lm/W	26200lm	131lm/W
	347-480V	4	24000lm	120lm/W	24500lm	123lm/W
	347-480V	5	27275lm	135lm/W	27200lm	136lm/W
250W	120-277V	3	32883lm	130lm/W	33250lm	133lm/W
	120-277V	4	30000lm	120lm/W	30500lm	122lm/W
	120-277V	5	34623lm	137lm/W	35250lm	141lm/W
250W	347-480V	3	33432lm	131lm/W	33250lm	133lm/W
	347-480V	4	30000lm	120lm/W	30500lm	122lm/W
	347-480V	5	34316lm	136lm/W	35250lm	141lm/W
300W	120-277V	3	39495lm	131lm/W	39300lm	131lm/W
	120-277V	4	36000lm	120lm/W	37000lm	123lm/W
	120-277V	5	42998lm	141lm/W	42300lm	141lm/W
300W	347-480V	3	39449lm	130lm/W	39300lm	131lm/W
	347-480V	4	36000lm	120lm/W	37000lm	123lm/W
	347-480V	5	42369lm	140lm/W	42300lm	141lm/W

BUG Rating

System Watts	Voltage	Distribution Type	B	U	G
70W / 75W	120-277V/347-480V	3	2	0	2
		4	2	0	2
		5	3	0	1
105W / 110W	120-277V/347-480V	3	3	0	2
		4	3	0	2
		5	3	0	1
150W	120-277V/347-480V	3	3	0	2
		4	3	0	3
		5	4	0	2
200W	120-277V/347-480V	3	3	0	2
		4	3	0	3
		5	4	0	2
250W	120-277V/347-480V	3	4	0	3
		4	4	0	3
		5	5	0	2
300W	120-277V/347-480V	3	4	0	3
		4	4	0	4
		5	5	0	2



EPA of Area Light

	1	2 @90°	2 @120°	2 @180°	3 @90°	3 @120°	4 @90°
70W/105W	0.626	0.705	0.974	0.981	0.982	0.977	0.982
150W/200W	0.4418	0.7145	0.8813	0.8836	1.0548	1.0135	1.0548
250W/300W	0.5614	0.8471	1.1050	1.1228	1.2940	1.2503	1.2940

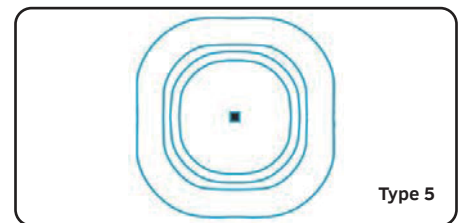
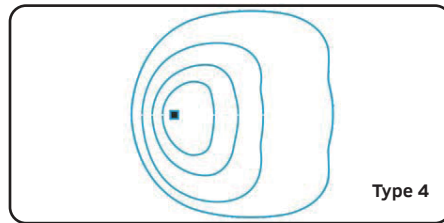
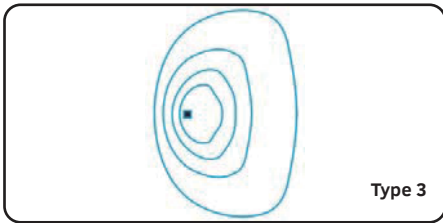
Lighting Distribution

GKOLED offers a complete set of optical systems to meet every site lighting requirement. These systems provide remarkable flexibility in precisely matching light distribution patterns to specific site requirements.

Type 3 optics produce an asymmetrical pattern that directs the majority of the light forward and equally on both sides of the luminaire. In a back-to-back configuration, it creates a rectangular pattern which can extend pole spacings.

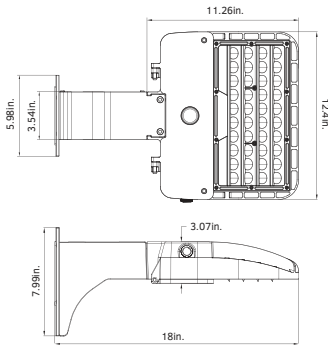
Type 4 is suitable for applications where light is primarily required forward with minimal backlight. Typical installations include perimeter poles.

Type 5 optics produce a symmetrical square distribution pattern that distributes light equally on all sides of the luminaire. Type 5 luminaires are universal for most area lighting applications.

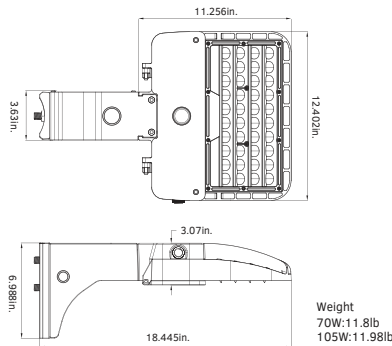


Dimensions & Weight

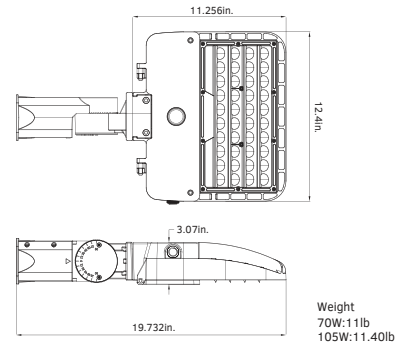
70W/105W (Wall Mount)



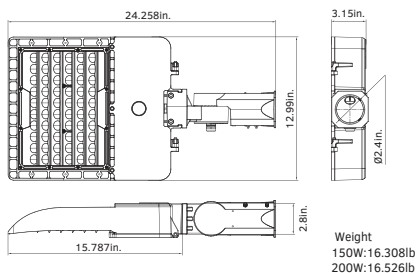
70W/105W (Pole Mount)



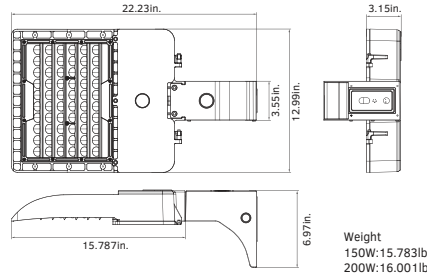
70W/105W (Slipfitter Mount)



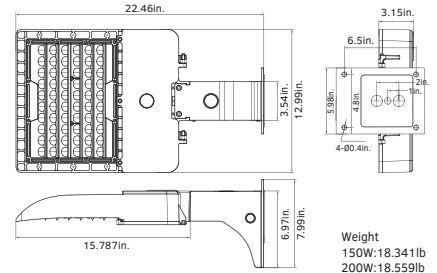
150W/200W (Wall Mount)



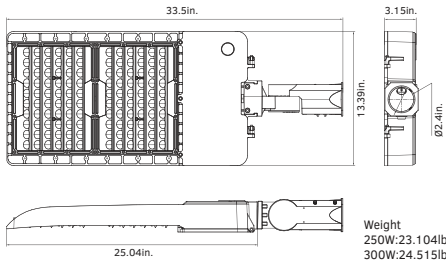
150W/200W (Pole Mount)



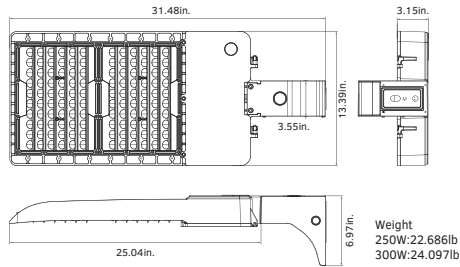
150W/200W (Slipfitter Mount)



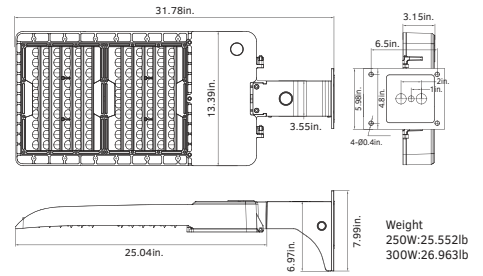
250W/300W (Wall Mount)



250W/300W (Pole Mount)



250W/300W (Slipfitter Mount)

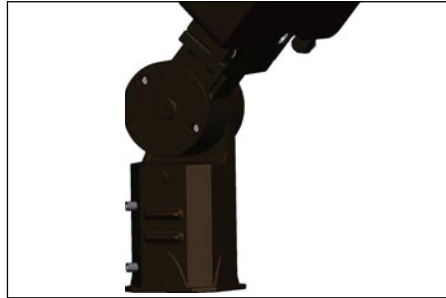


Mounting Information

Mounting Options



Pole Mount (4" and 5" Square and Round poles)
Standard versatile mounting arm is simple to install and can be used with existing poles for retrofit installations.



Slipfitter Mount
An optional cast aluminum mast arm adaptor secures fixture head to nominal 2" (2-3/8" O.D. pipe size) horizontal steel tenon arm.



Wall Mount
Wall Mount is easy to install for direct wall mounting with 1/2" conduit wiring or standard J-box mounting.

Mounting Accessories

Round Pole Connecting Plate • For square mount to be fixed to a round pole		

Additional Accessories

POLE BRACKET • For mounting one fixture on an existing pole			
	<p>4" Square Pole Mount with 2-3/8" O.D. Tenon NO. 4SQ-SP-D FINISH: Dark Bronze USE: For use with square, non-tapered steel and aluminum poles. Furnished with four 5/16" hex head stainless-steel bolts. Vertical tenon measures 2-3/8" O.D., and is made of steel tubing. Fixtures mounted to this bracket can be adjusted both vertically and horizontally.</p>		<p>4" Round Pole Mount with 2-3/8" O.D. Tenon NO. 4RQ-SP-D FINISH: Dark Bronze USE: For use with round, non-tapered steel and aluminum poles. Furnished with three 3/8" hex head stainless-steel bolts. Vertical tenon measures 2-3/8" O.D., and is made of steel tubing. Fixtures mounted to this bracket can be adjusted both vertically and horizontally.</p>
	<p>5" Square Pole Mount with 2-3/8" O.D. Tenon NO. 5SQ-SP-D FINISH: Dark Bronze USE: For use with square, non-tapered steel and aluminum poles. Furnished with four 5/16" hex head stainless-steel bolts. Vertical tenon measures 2-3/8" O.D., and is made of steel tubing. Fixtures mounted to this bracket can be adjusted both vertically and horizontally.</p>		<p>5" Round Pole Mount with 2-3/8" O.D. Tenon NO. 5RQ-SP-D FINISH: Dark Bronze USE: For use with round, non-tapered steel and aluminum poles. Furnished with three 3/8" hex head stainless-steel bolts. Vertical tenon measures 2-3/8" O.D., and is made of steel tubing. Fixtures mounted to this bracket can be adjusted both vertically and horizontally.</p>

Additional Accessories

POLE BRACKET • For mounting one fixture on an existing pole	
	<p>2-3/8" O.D. Tenon Mount Adaptor for Yoke Fixtures NO. SP-TR-D FINISH: Dark Bronze USE: The 2-3/8" O.D. Tenon Mount Adaptor for Yoke Fixtures is designed to mount GKOLED light fixtures that are equipped with a yoke mount onto a 2-3/8" O.D. tenon. It may be utilized with the GKOLED flood light series of light fixture.</p>
WALL BRACKET • Attaches to any flat surface • Provides wiring access	
	<p>90° Wall Mount Bracket with 2-3/8" O.D. Tenon NO. WM-SP-D FINISH: Dark Bronze USE: The 90° Wall Mount Bracket with 2-3/8" Tenon attaches a GKOLED flood light to almost any surface, wall, roof, or wood pole. Provides wiring access and a built-in 2-3/8" O.D. tenon to mount a fixture with our adjustable slipfitter. Suggested 3/8" diameter bolts for mounting. Mounting holes are spaced 3-1/4" apart.</p>
Mid-Pole Tenon Bracket	
	<p>2-3/8" O.D. Horizontal Tenon Mid-Pole Bracket NO. SQ-SP-D FINISH: Dark Bronze USE: The 2-3/8" O.D. Horizontal Tenon Mid-Pole Bracket is designed to mount a light fixture that is equipped with an adjustable slipfitter onto a 2-3/8" O.D. horizontal tenon.</p>
Round External Mount Horizontal Tenon • To mount 2, 3, or 4 fixtures on an existing pole	
	<p>Double 90° Horizontal Tenon Adaptor NO. R60-SP2-90-D FINISH: Dark Bronze USE: The Bracket is designed to mount over a 2-3/8" (60mm) O.D. vertical tenon. Two fixtures can be mounted to the Round External Mount Horizontal Tenon and adjusted horizontally.</p>
	<p>Triple 120° Horizontal Tenon Adaptor NO. R60-SP3-120-D FINISH: Dark Bronze USE: The Bracket is designed to mount over a 2-3/8" (60mm) O.D. vertical tenon. Three fixtures can be mounted to the Round External Mount Horizontal Tenon and adjusted horizontally.</p>
	<p>Double 180° Horizontal Tenon Adaptor NO. R60-SP2-180-D FINISH: Dark Bronze USE: The Bracket is designed to mount over a 2-3/8" (60mm) O.D. vertical tenon. Two fixtures can be mounted to the Round External Mount Horizontal Tenon and adjusted horizontally.</p>
	<p>Quad 90° Horizontal Tenon Adaptor NO. R60-SP4-90-D FINISH: Dark Bronze USE: The Bracket is designed to mount over a 2-3/8" (60mm) O.D. vertical tenon. Four fixtures can be mounted to the Round External Mount Horizontal Tenon and adjusted horizontally.</p>
	<p>Triple 90° Horizontal Tenon Adaptor NO. R60-SP3-90-D FINISH: Dark Bronze USE: The Bracket is designed to mount over a 2-3/8" (60mm) O.D. vertical tenon. Three fixtures can be mounted to the Round External Mount Horizontal Tenon and adjusted horizontally.</p>

Ordering Information

Area Light Series GKOAL01							Example:GKOAL70W27V50KDPO5QT3S		
Fixture Type	Wattage	Voltage	CCT	Finish	Photocell (Optional)	Mounting	Photometry	Surge Protection (Optional)	
<input type="checkbox"/>	<input type="checkbox"/>	<input type="checkbox"/>	<input type="checkbox"/>	<input type="checkbox"/>	<input type="checkbox"/>	<input type="checkbox"/>	<input type="checkbox"/>	<input type="checkbox"/>	
GKOAL	70W	27V 120-277V	40K 4000K 50K 5000K	D Dark Bronze B Black W White SG Silver Gray	P0 120-277V Photocell P3 347V Photocell P4 480V Photocell Blank Without Photocell	SQ Square Pole Mount SP Slipfitter Mount WM Wall Mount	T3 Type III Photometry T4 Type IV Photometry T5 Type V Photometry	S Surge protection	
	105W							Blank No Surge protection	
	75W	48V 347-480V							
	110W								

Area Light Series GKOAL02							Example:GKOAL02300W27V50KDPO5PT3			
Fixture Type	Wattage	Voltage	CCT	Finish	Photocell (Optional)	Mounting	Photometry			
<input type="checkbox"/>	<input type="checkbox"/>	<input type="checkbox"/>	<input type="checkbox"/>	<input type="checkbox"/>	<input type="checkbox"/>	<input type="checkbox"/>	<input type="checkbox"/>			
GKOAL02	150W	27V 120-277V	40K 4000K 50K 5000K	D Dark Bronze B Black W White SG Silver Gray	P0 120-277V Photocell P3 347V Photocell P4 480V Photocell Blank Without Photocell	SQ Square Pole Mount SP Slipfitter Mount WM Wall Mount	T3 Type III Photometry T4 Type IV Photometry T5 Type V Photometry			
	200W									
	250W	48V 347-480V								
	300W									

Note: Not all product variations listed on this page are DLC qualified. Visit www.designlights.org/search to confirm qualification.



10330 Argonne Woods Dr. Ste. 200
 Woodridge, IL 60517
 Phone: 630-793-9449
 Web: www.gkoled.com