

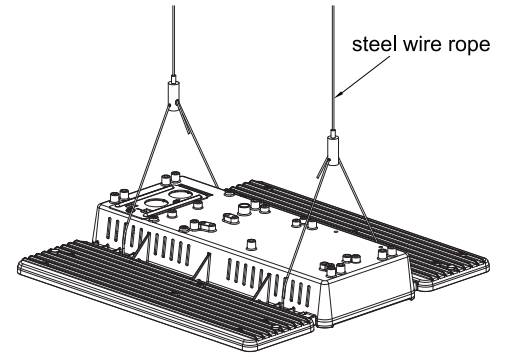
 **WARNING**

1. Turn power off before inspection, installation or removal.
2. The installation should be performed by qualified electricians or lighting technicians.
3. Before conducting any installation, maintenance, or removal, disable all power to the luminaries and wait until the fixture cool down.
4. Do not touch the fixture while it is in service.
5. If there is any problem with the fixture, DO turn off power and DO NOT attempt repair unless you are a qualified technician or the customer service member.
6. This product is not available for several special environments, such as places with corrosive gas liquids or high pressure water vapor.

Steel Rope Mounting (Default)

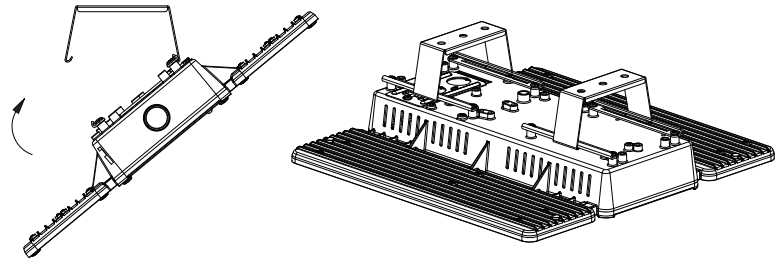
Inspect the fixture condition and accessories before installation.

1. Insert the anti-stripping piece of the steel rope into the installation hole of the fixture.
2. Remove the access plate, take the wires out of the power box.
3. Thread the wires out of the access plate and connect them. After installing the access plate, insert the flexible conduit into it.



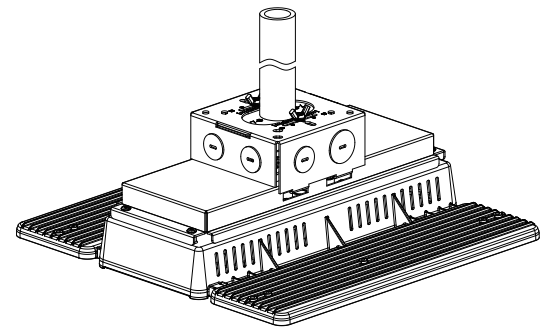
Surface Mounting (Option)

1. Fix the bracket to the ceiling with screws. (The distance between the bracket is within a certain range to adapt to the length of the fixture)
2. Remove the access plate, take the wires out of the power box.
3. Thread the wires out of the access plate and connect them. After installing the access plate, insert the flexible conduit into it.
4. The back of the fixture with fixing strip is upward, one end of the fixture is hung on the bracket hook, and then rotate the fixture to horizontal to buckle into the bracket hook at the other end.



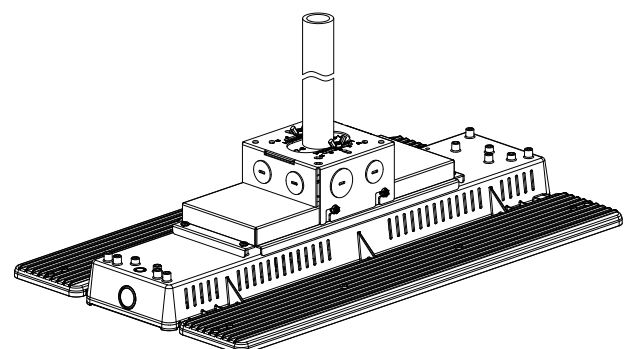
130W Conduit Pendant (Option)

1. Installing the adjustable board in square J-BOX with M4*8 fly-headed flat bottom screw, and pass the 3/4" conduit through adjustable board, then fix it with J-BOX. (nut is provided by others).
2. Attach fixture to the hanger of square J-BOX, and connecting wires.
3. Placing fixture horizontally, and fix it with J-BOX by using M5*8 screws.



210W Conduit Pendant (Option)

1. Installing the adjustable board in square J-BOX with M4*8 fly-headed flat bottom screw, and pass the 3/4" conduit through adjustable board, then fix it with J-BOX. (nut is provided by others).
2. Attach fixture to the hanger of square J-BOX, and connecting wires.
3. Placing fixture horizontally, and fix it with J-BOX by using M5*8 screws.



WIRING

Universal voltage driver permits operation at 120V thru 277V, 60 Hz.

For 0-10V Dimming, follow the wiring directions as in fig 1.

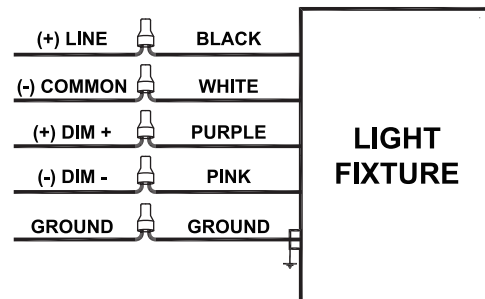
1. Connect the black fixture lead to the (+) LINE supply lead.
2. Connect the white fixture lead to the (-) COMMON supplylead.
3. Connect the GROUND wire from fixture to supply ground. Do NOT connect the GROUND of the dimming fixture to the output.
4. Connect the purple fixture lead to the (V+) DIM lead.
5. Connect the pink fixture lead to the (V-) DIM lead.

TROUBLESHOOTING

1. Check that the line voltage at the fixture is correct. Refer to wiring directions.
2. Make sure the fixture grounded properly.
3. Be sure the motion sensor, if used, is functioning properly.

CLEANING & MAINTENANCE

CAUTION: Be sure fixture temperature is cool enough to touch. Do not clean or maintain while fixture is energized.



ACCESSORY LIST

Type	Accessory Name	Accessory Model	Quantity
Chain and bracket kit	Aircraft Cable	1.5x1500mm, A set of aircraft cable(with each 150mm long)	2
Surface Mounting	Ceiling Bracket	MLH05-L98.4W32H48HT1	2
	Bracket	MLH05-L115W12H5.8T1.5	4
	Screw	BM4*6	8
Conduit Pendant	Square junction box	MLH05-L299W114.3H27.5T1.5, Square junction box	1
	Adjustable board for J-BOX installation	HB22/24GP-L110W109H59, adjustable board for J-BOX installation(22D optional)	1
	Screw	BM4*8, fly-headed flat bottom screw	4
	Screw	HWM5*8,thicker hexagon head cross screw	2