



67W / 97W / 140W / 180W / 215W

## Product Overview

Featuring a modern design, series GKOHB06 Circular High Bays are an ideal light source for energy-efficient, low maintenance illumination in large commercial and industrial spaces. An optional, center-mounted motion sensor is available for additional energy savings. In addition to hook or pendant mounting options, the fixture may be surface mounted using an optional Adjustable Surface Mounting Bracket.

## Key Features

### CONSTRUCTION:

- Rugged single-piece aluminum housing with integral heat sink fins.
- Housing is completely sealed against moisture and environmental contaminants.

### FINISH:

- The exterior is protected by a black rust-resistant polyester powder coat finish that provides superior resistance to weathering and corrosion.

### OPTICS:

- Light engines are available in standard 4000K and 5000K configurations.
- A range of lumen options available from 9,010 to 30,000 Lumens, replaces up to 400W metal halide.
- Impact and UV-resistant polycarbonate lens is precisely designed to give a specific light distribution, maximizing efficiency and application spacing.

### ELECTRICAL:

- Standard 120-277V input voltage, optional 347-480V input voltage (140W only).
- Standard 6KV surge protection.
- 1-10V dimming driver(s) as default.
- THD: ≤20%, Power Factor: ≥90%.

### CONTROLS:

- Optional center-mounted, integrated multi-level motion sensor - BRI823.
- Optional emergency battery backup provides up to 90 minutes of operation during outages.

### INSTALLATION:

- Pendant mount or hook mount options are available.
- Surface mounting with optional Adjustable Surface Mounting Bracket allows precise aiming of the fixture to 0°, 30°, 60°, 90°, 120°, 150°, or 180°.

### WARRANTY:

- 5 Year Limited Warranty.

### LISTINGS:

- DesignLights Consortium® (DLC) qualified.
- UL Wet Location Listed.
- Rated for ambient operating temperature -40°F to 122°F (-40°C to 50°C).



# Performance Data

## Lumen Output

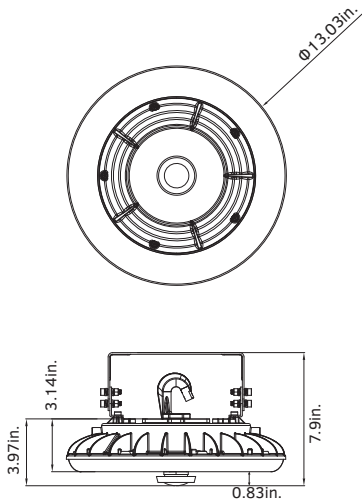
System Watts	Voltage	Photometry	4000K(80CRI)		5000K(80CRI)	
			Lumens	Efficacy	Lumens	Efficacy
67W	120-277V	General High Bay	9010lm	130lm/W	9052lm	131lm/W
97W	120-277V	General High Bay	12300lm	127lm/W	12300lm	127lm/W
140W	120-277V/347-380V	General High Bay	17303lm	128lm/W	17500lm	125lm/W
180W	120-277V	General High Bay	24500lm	136lm/W	24500lm	136lm/W
215W	120-277V	General High Bay	30000lm	140lm/W	30000lm	140lm/W

## Electrical Data

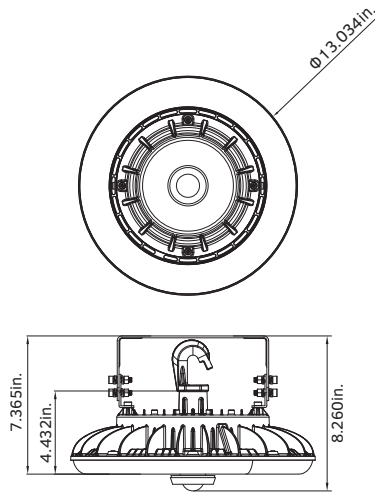
Number Of Drivers	Driver Current (mA)	Nominal Power (W)	Input Voltage (V)	Current (Amps)
1	1080	67	120	0.56
		67	208	0.32
		67	240	0.28
		67	277	0.24
1	2500	97	120	0.81
		97	208	0.47
		97	240	0.40
		97	277	0.35
2	3300	140	120	1.17
		140	208	0.67
		140	240	0.58
		140	277	0.51
	3400	140	347	0.40
		140	480	0.29
1	930	180	120	1.50
		180	208	0.87
		180	240	0.75
		180	277	0.65
1	1065	215	120	1.79
		215	208	1.03
		215	240	0.90
		215	277	0.78

# Dimensions & Weight

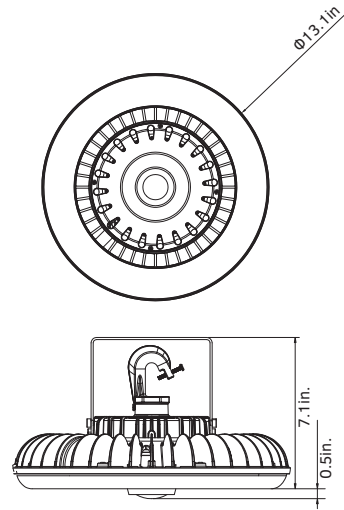
GKOHB06: 67W & 97W



GKOHB06: 140W



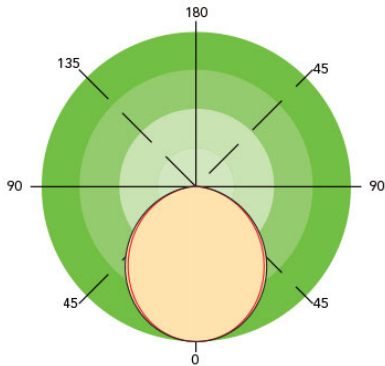
GKOHB06: 180W & 215W



Weight:  
 67W: 5.71lb.  
 97W: 5.95lb.  
 140W: 6.00lb.  
 180W: 6.61lb.  
 215W: 6.61lb.

# Light Distribution

## General High Bay



# Ordering Information

Circular High Bay Series GKOHB06

Example: GKOHB06140W27V50KB

Fixture Type	Wattage	Voltage	CCT	Finish	Sensor (Optional)	Emergency Battery (Optional)	Internal Code
<input type="text"/>	<input type="text"/>	<input type="text"/>	<input type="text"/>	<input type="text"/>	<input type="text"/>	<input type="text"/>	<input type="text"/>
GKOHB06	67W	27V 120-277V	40K 4000K	B Black	M With 120-277V Sensor	B With Emergency Battery	Blank
	97W		50K 5000K		Blank Without Sensor	Blank Without Emergency Battery	Alphanumeric
	180W						
	215W						
	140W	27V 120-277V					
		48V 347-480V					