



20W / 30W

Product Overview

Designed with a narrow beam angle of 20° or 44°, the GKOLED GKOFR01 Spotlight is ideal for many commercial and residential outdoor applications, such as flagpoles and landscaping. It features a protective, rust-resistant powder coat finish and a tempered, shatter-resistant glass lens, ensuring the unit's longevity. A versatile knuckle mount enables precise aiming of the fixture.



Key Features

CONSTRUCTION:

- Rugged die-cast aluminum housing.
- Tempered shatter-resistant glass lens.
- Housing is completely sealed against moisture and environmental contaminants.

FINISH:

- The exterior is protected by a rust-resistant powder coat finish that provides superior resistance to weathering and corrosion.

OPTICS:

- Narrow 20° or 44° beam angle to meet the demand for long-distance and circular lighting.
- Light engines are available in standard 4000K and 5000K configurations.
- A range of lumen options available from 2,400 to 3,350 Lumens, replaces up to 100W metal halide.

ELECTRICAL:

- Standard 120-277V input voltage.
- THD: ≤20%, Power Factor: ≥90%.

INSTALLATION:

- Versatile knuckle mount enables precise aiming of fixture.

WARRANTY:

- 5 Year Limited Warranty.

LISTINGS:

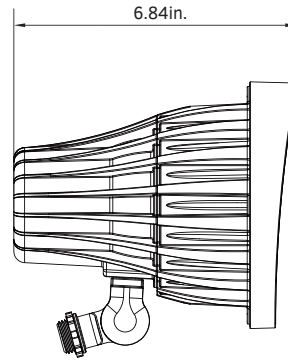
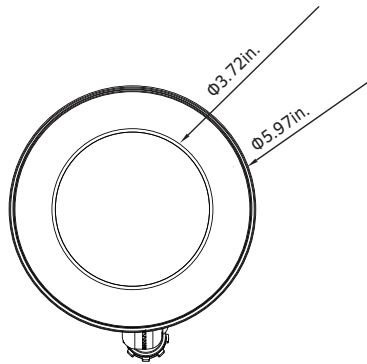
- UL listed for wet locations.
- Rated for ambient operating temperature -40°F to 113°F (-40°C to 45°C).

Performance Data

Lumen Output

System Watts	Voltage	Beam Angle	4000K(70CRI)		5000K(70CRI)	
			Lumens	Efficacy	Lumens	Efficacy
20W	120-277V	20°	2500lm	125lm/W	2500lm	125lm/W
20W	120-277V	44°	2400lm	120lm/W	2500lm	125lm/W
30W	120-277V	20°	3350lm	112lm/W	3350lm	112lm/W
30W	120-277V	44°	3122lm	104lm/W	3350lm	112lm/W

Dimensions & Weight



Weight :
 20W: 2.70lb.
 30W: 2.73lb.

Ordering Information

Spotlight Series GKOFR01				Example: GKOFR30W27V50KBDSFL			
Fixture Type	Wattage	Voltage	CCT	CRI	Finish	Beam Angle	
GKOFR	20W 30W	27V 120-277V	40K 4000K 50K 5000K	B >70	D Dark Bronze SG Silver Gray W White B Black	SFL	20° Beam Angle
						NFL	44° Beam Angle