



WARNING

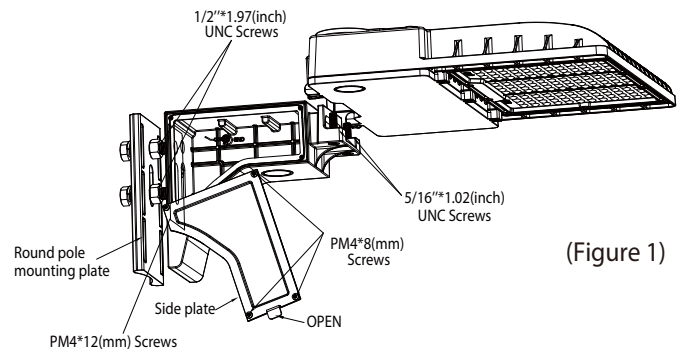
PLEASE READ ALL INSTRUCTIONS BEFORE ATTEMPTING INSTALLATION

- To prevent personal injury or product damage only licensed electricians should install.
- To avoid electric shock or component damage disconnect power before attempting installation or servicing.
- This product must be installed in accordance with the national electric code (NEC) and all applicable federal, state and local electric codes and safety standards.
- Disconnect product and allow cooling prior to servicing.
- Any alteration or modification of this product is expressly forbidden as it may cause serious personal injury, death, property damage and/or product malfunction.
- To prevent product malfunction and/or electrical shock this product must be properly grounded.
- This luminaire is designed to operate in ambient temperatures ranging from -40°C to 45°C and to be horizontally mounted with the LEDs facing down.
- This product must be installed in accordance with the applicable installation code by a Person familiar with the construction and operation of the product and the hazards involved.
- MIN 75°C SUPPLY CONDUCTORS
- CONSULT A QUALIFIED ELECTRICIAN TO ENSURE CORRECT BRANCH CIRCUIT CONDUCTOR
- CAUTION - RISK OF FIRE
- Slipfitter Mounted with PHOTOCELL function elevation angle should not exceed 15 degrees
- This product is not available for several special environments, such as places with corrosive gas liquids or high pressure water vapor.

Installation Guide

Square/Round Pole

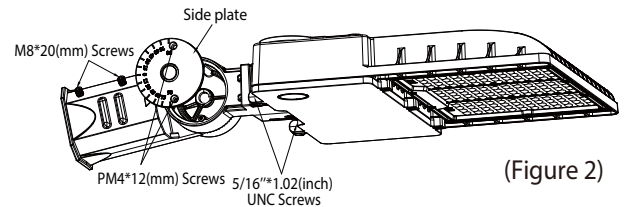
1. Remove the side plate from mounting bracket. Please skip to step 3 if mounted onto the square Pole.
2. Attach round pole mounting plate on mounting bracket.
3. Route the cord into mounting bracket through the hole for wiring, slide the fixture onto the bracket and tighten 2 bottom screws.
4. Slightly drag the wires to make sure the hole on bracket is sealed by silicon gasket.
5. Make wiring connection as per wire diagram below, replace the side plate and fasten screws.



(Figure 1)

Slipfitter

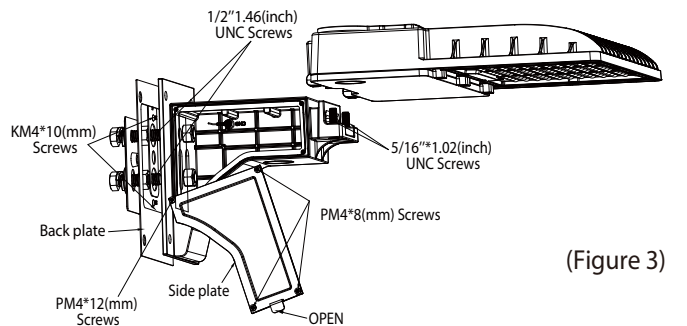
1. Connect the wires to L / N / GND
2. Remove the cover and adjust the bracket to the desired angle
3. Install the bracket on the pole and fix it with screws



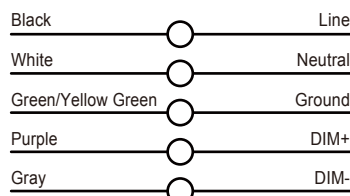
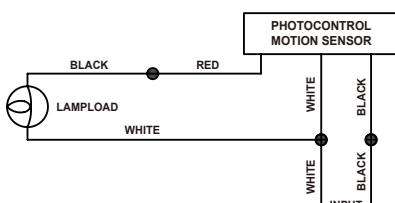
(Figure 2)

Wall Mount

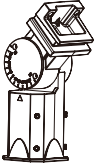
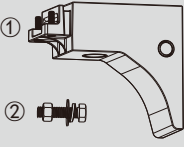
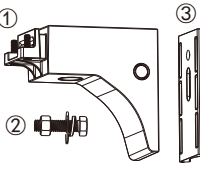
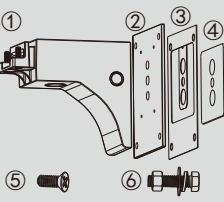
1. Remove the side plate by loosen the screws.
2. Fix the back plate onto the arm bracket with screws provided.
3. Use the metal template provided to locate footprint on the wall to drill the holes, then fix the bracket on the wall with screws.
4. Route the power cord into wall mount bracket, slide the fixture onto the mounting bracket, then tighten bottom screws.
5. Make wiring connection inside of bracket and replace the side plate with screws.



(Figure 3)



ACCESSORY LIST

Mounting Type	Accessory	Specifications	Quantity
 Slipfitter Mount	Slipfitter	Adjustable slipfitter	1
 Square mount	① Pole Mout Arm	20.2*17.7*9cm Square pole mount arm	1
	② Bolt	# 1/2" x 1.97" Stainless Steel Hexagon Hexagon head bolt	2
 Round mount	① Pole Mout Arm	20.2*17.7*9cm Square pole mount arm	1
	② Bolt	# 1/2" x 1.97" Stainless Steel Hexagon Hexagon head bolt	2
	③ Adaptor	17.7 x 8.8 x 1.3cm Round pole adaptor	1
 Wall mount	① Pole Mout Arm	20.2*17.7*9cm Square pole mount arm	1
	② Wall Mount Plate	20.3 x 15.2 x 0.5cm Steel Plate	1
	③ Wall Mount Template	20.3 x 15.2 x 0.1cm Aluminum alloy plate	1
	④ EVA Gasket	L119W119H3,40°EVA Gasket	1
	⑤ Bolt	KM4 x 10" Stainless Steel flat head bolt	4
	⑥ Bolt	# 1/2" x 1.46" Stainless Steel Hexagon head bolt	2
Others	Twist-lock photocell	120-277V 3-Pin	1
	Receptacle	3-Pin receptacle	1
	Bolt	PM4 x 8 Stainless Steel, Round Flat bottom Bolt	2
	Occupancy Sensor	120-277V 0-10V Bi-level	1