

WARNING

1. Turn power off before inspection, installation or removal.
2. The installation should be performed by a qualified electrician or lighting technician.
3. Before conducting any installation, maintenance, or removal, disable all power to the luminaries and wait until the fixture cools down.
4. Do not touch the fixture while it is in service.
5. If there is any problem with the fixture, DO turn off power and DO NOT attempt repair unless you are a qualified technician or the customer service member.
6. This product is not suitable for several special environments, such as places with corrosive gas liquids or high pressure water vapor.

Installation Guide

1. Mounting With Steel Wire Rope (Figure 1)

Inspect the condition of the fixture and accessories before installation.

1. The steel wire ropes attach to two mounting holes on each side of the fixture. Adjust the steel wire ropes to achieve balance.
2. Remove the access plate, then take the wires out of the power driver compartment.
3. Make wiring connections through the opening of the access plate, then re-install the access plate and plug the flexible conduit into the opening of the access plate.

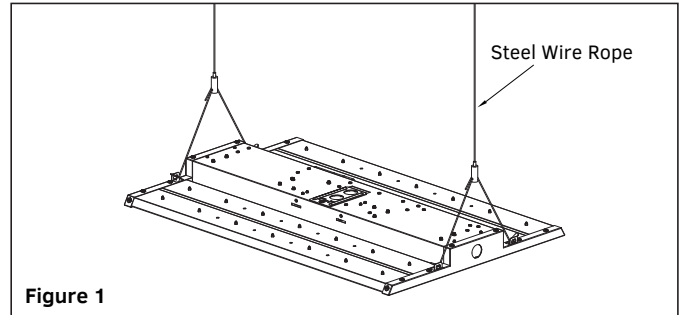


Figure 1

2. Mounting With Conduit Pendant (Figure 2)

1. Install the adjustable panel into the square J-BOX hanger using the 2 M4*8 screws and 2 fly-headed nuts, then pass the 3/4" conduit through the opening in the adjustable panel, and attach it to the J-BOX (mounting hardware for attaching conduit not included).
2. Attach the J-BOX base to the fixture, securing it with 2 M4*8 screws.
3. Using the hooks on the J-BOX hanger, attach the J-BOX base to the J-BOX hanger and make the wiring connections.
4. Placing the fixture horizontally, secure the J-BOX base to the J-BOX hanger using the 2 HWM5*8 screws.

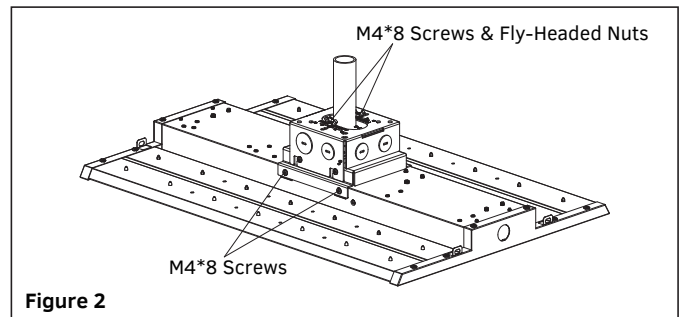


Figure 2

3. Surface Mounting (Figure 3)

1. Attach the square J-BOX hanger to the ceiling junction box with screws (mounting hardware for attaching to junction box not included).
2. Attach the J-BOX base to the fixture, securing it with 2 M4*8 screws.
3. Using the hooks on the J-BOX hanger, attach the J-BOX base to the J-BOX hanger and make the wiring connections.
4. Placing the fixture horizontally, secure the J-BOX base to the J-BOX hanger using the 2 HWM5*8 screws.

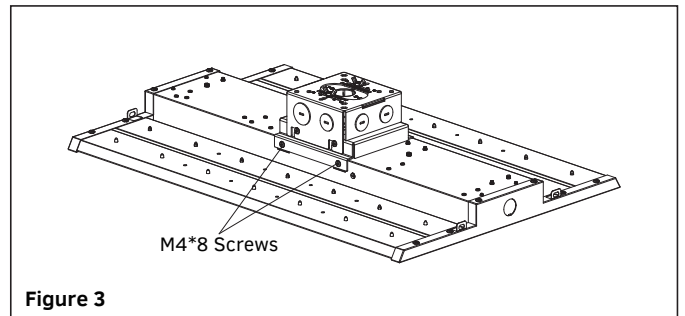
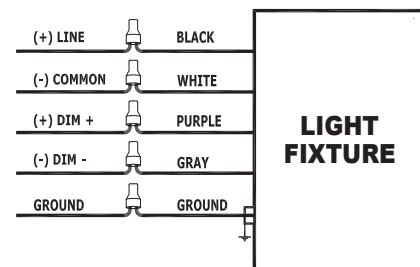


Figure 3

Wiring

The universal voltage driver allows operation at 120V through 277V, 60 Hz. For 0-10V Dimming, follow the wiring directions as per the wiring diagram.

1. Connect the black fixture lead to the (+) LINE supply lead.
2. Connect the white fixture lead to the (-) COMMON supply lead.
3. Connect the GROUND wire from fixture to supply ground. Do NOT connect the GROUND of the dimming fixture to the output.
4. Connect the purple fixture lead to the (V+) DIM lead.
5. Connect the gray fixture lead to the (V-) DIM lead.



Troubleshooting

1. Ensure that the fixture is properly connected to line voltage. Refer to the wiring directions.
2. Ensure that the fixture is properly grounded.
3. If using a motion sensor, ensure that it is functioning properly.

Cleaning & Maintenance

CAUTION:
Before conducting cleaning or maintenance of the fixture, ensure the fixture temperature is cool enough to the touch. Do not clean or maintain the fixture while it is energized.