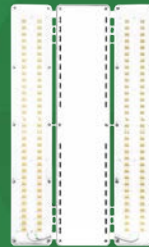
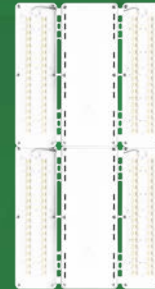


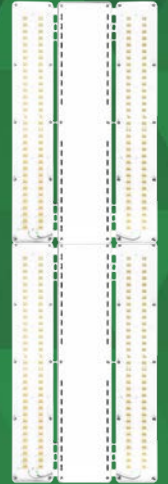
1X1 :
90W / 130W



1X2:
180W / 210W



1X2 :
260W
WITH BRACKET



1X4:
360W / 420W
WITH BRACKET

Product Overview

Compact, high-performing Series GKOMLHG5 Linear High Bays are an energy-efficient replacement for traditional T5 or T8 fixtures. These powerful lights may be used to illuminate warehouses, workshops, convention centers, gymnasiums, factories, and other industrial and commercial indoor areas. A bracket is available to connect two 130W, 180W, or 210W fixtures to create a larger fixture.



Key Features

CONSTRUCTION:

- Rugged die-cast aluminum housing in a slim and modern design.
- Connect two 130W, 180W, or 210W fixtures to create a larger fixture using an optional connector bracket.

FINISH:

- The exterior is protected by a white rust-resistant powder coat finish that provides superior resistance to weathering and corrosion.

OPTICS:

- Light engines are available in standard 4000K and 5000K configurations.
- A range of lumen options available from 12,200 to 60,000 Lumens, replaces up to 24 F54T5 or 28 F32T8.
- UGR: <28, as per the DLC 5.1 requirements.

ELECTRICAL:

- Standard 120-277V input voltage, optional 347-480V input voltage.
- Standard 6KV surge protection, meeting the industrial ANSI standards.
- 1-10V dimming driver(s) as default.
- THD: ≤20%, Power Factor: ≥90%.

CONTROLS:

- Optional multi-level motion sensor - BRI823.
- Optional emergency battery backup provides up to 90 minutes of operation during outages.

INSTALLATION:

- Chain mount with included steel wire rope.
- Pendant mount with optional pendant hanger.
- Surface mount with optional surface mounting brackets.
- Optional wire guard protects lens against impact.

WARRANTY:

- 5 Year Limited Warranty.

LISTINGS:

- DesignLights Consortium® (DLC) qualified.
- UL listed for damp locations.
- Rated for ambient operating temperature -40°F to 131°F (-40°C to 55°C).

Performance Data

Lumen Output

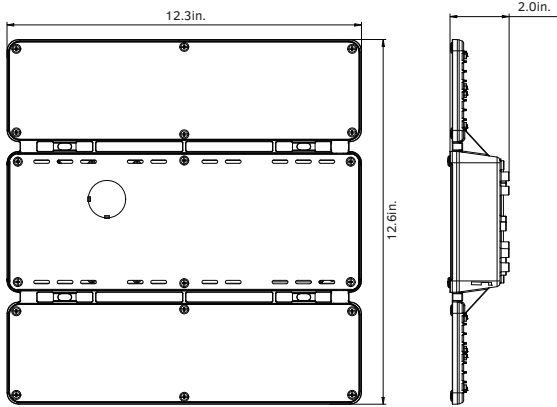
System Watts	Voltage	4000K(80CRI)		5000K(80CRI)	
		Lumens	Efficacy	Lumens	Efficacy
90W	120-277V / 347-480V	12200lm	136lm/W	12200lm	136lm/W
130W	120-277V / 347-480V	18000lm	138lm/W	18300lm	140lm/W
180W	120-277V / 347-480V	24300lm	135lm/W	24300lm	135lm/W
210W	120-277V / 347-480V	30000lm	143lm/W	30300lm	143lm/W
260W	120-277V / 347-480V	36000lm	138lm/W	36400lm	140lm/W
360W	120-277V / 347-480V	49000lm	136lm/W	49000lm	136lm/W
420W	120-277V / 347-480V	60000lm	143lm/W	60000lm	143lm/W

Electrical Data

Number of Drivers	Driver Current (mA)	Nominal Power (W)	Input Voltage (V)	Current (Amps)
1	2400	90	120	0.75
		90	208	0.43
		90	240	0.38
		90	277	0.32
		90	347	0.26
		90	480	0.19
1	1200	130	120	1.08
		130	208	0.63
		130	240	0.54
		130	277	0.47
		130	347	0.37
2	4800	180	120	1.50
		180	208	0.87
		180	240	0.75
		180	277	0.65
		180	347	0.52
		180	480	0.38
2	5200	210	120	1.75
		210	208	1.01
		210	240	0.88
		210	277	0.76
		210	347	0.61
		210	480	0.44

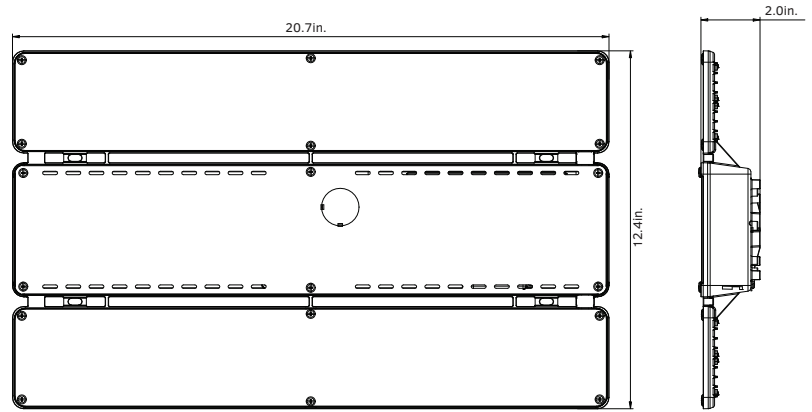
Dimensions & Weight

90W / 130W



Weight
90W: 3.94lb.
130W: 3.97lb.

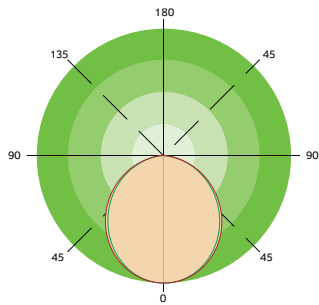
180W / 210W



Weight
180W: 14.17lb.
210W: 14.27lb.

Photometric Distribution

General



Ordering Information

Linear High Bay Series GKOMLHG5 Example: GKOMLHG5130W27V50KMD

Fixture Type	Wattage	Voltage	CCT	Lens	Sensor (Optional)	Emergency Battery (Optional)	Internal Code
<input type="text"/>	<input type="text"/>	<input type="text"/>	<input type="text"/>	<input type="text"/>	<input type="text"/>	<input type="text"/>	<input type="text"/>
GKOMLHG5	90W 130W 180W 210W 260W 360W 420W	27V 120-277V 48V 347-480V	40K 4000K 50K 5000K	MD Medium Lens	M With 120-277V Sensor Blank Without Sensor	B With Battery Blank Without Battery	Blank Alphanumeric

Note: Emergency Battery Backup is not available for 347-480V.