



1X2 :
90W / 130W

2X2:
130W / 180W / 210W

1X4 :
130W / 180W / 210W

2X4:
270W / 300W / 370W

Product Overview

High performing, DLC Premium Linear High Bay lights are an energy-efficient replacement for traditional T5 or T8 fixtures with mounting heights ranging from 15' to 60'. They are widely used in warehouses, workshops, convention centers, gymnasiums, factories and other industrial and commercial indoor areas.



Key Features

CONSTRUCTION:

- Rugged cold-rolled steel housing in a slim and modern design.

FINISH:

- The exterior is protected by a white rust-resistant powder coat finish that provides superior resistance to weathering and corrosion.

OPTICS:

- Light engines are available in standard 4000K and 5000K configurations.
- A range of lumen options available from 12,600 to 50,500 Lumens, replaces up to 20 F54T5 or 24 F32T8.
- UGR: <22, as per the DLC 5.1 requirements.

ELECTRICAL:

- Standard 120-277V input voltage, optional 347-480V input voltage.
- Standard 6KV surge protection, meeting the industrial ANSI standards.
- 1-10V dimming driver(s) as default.
- THD: ≤20%, Power Factor: ≥90%.

CONTROLS:

- Optional multi-level motion sensor - BRI823.
- Optional emergency battery backup provides up to 90 minutes of operation during outages.
- Bluetooth networked controls that are DLC NLC qualified, utilizing a Bluetooth SIG mesh network operated with IOS and web, optional for all models.

INSTALLATION:

- Chain mount with included steel wire rope.
- Pendant mount with optional pendant hanger (unavailable for 1x2 90W/130W).
- Optional wire guard protects lens against impact.

WARRANTY:

- 5 Year Limited Warranty.

LISTINGS:

- DesignLights Consortium® (DLC) Premium qualified.
- UL listed for damp locations.
- Rated for ambient operating temperature -40°F to 131°F (-40°C to 55°C).

Performance Data

Lumen Output

System Watts	Voltage	Photometry	4000K(80CRI)		5000K(80CRI)	
			Lumens	Efficacy	Lumens	Efficacy
90W	120-277V / 347-480V	General High Bay	12600lm	140lm/W	12600lm	140lm/W
130W	120-277V / 347-480V	General High Bay	18500lm	142lm/W	18500lm	142lm/W
B130W	120-277V / 347-480V	General High Bay	18500lm	142lm/W	18500lm	142lm/W
180W	120-277V / 347-480V	General High Bay	25200lm	140lm/W	25200lm	140lm/W
210W	120-277V / 347-480V	General High Bay	29000lm	138lm/W	29000lm	138lm/W
L130W	120-277V / 347-480V	General High Bay	18500lm	142lm/W	18500lm	142lm/W
L180W	120-277V / 347-480V	General High Bay	24000lm	133lm/W	24000lm	133lm/W
L210W	120-277V / 347-480V	General High Bay	29000lm	138lm/W	29000lm	138 lm/W
270W	120-277V / 347-480V	General High Bay	37000lm	137lm/W	37000lm	137lm/W
300W	120-277V / 347-480V	General High Bay	41500lm	138lm/W	41500lm	138lm/W
370W	120-277V / 347-480V	General High Bay	50500lm	136lm/W	50500lm	136lm/W

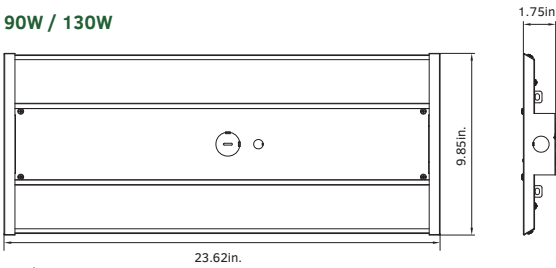
Electrical Data

Number of Drivers	Driver Current (mA)	Nominal Power (W)	Input Voltage (V)	Current (Amps)
1	2400	90	120	0.75
		90	208	0.43
		90	240	0.38
		90	277	0.32
		90	347	0.26
		90	480	0.19
2	3300	130	120	1.08
		130	208	0.63
		130	240	0.54
		130	277	0.47
	3200	130	347	0.37
		130	480	0.27
2	3300	130	120	1.08
		130	208	0.63
		130	240	0.54
		130	277	0.47
		130	347	0.37
		130	480	0.27
2	4800	180	120	1.50
		180	208	0.87
		180	240	0.75
		180	277	0.65
		180	347	0.52
		180	480	0.38

Number of Drivers	Driver Current (mA)	Nominal Power (W)	Input Voltage (V)	Current (Amps)
2	5200	210	120	1.75
		210	208	1.01
		210	240	0.88
		210	277	0.76
		210	347	0.61
		210	480	0.44
2	3300	L130	120	1.08
		L130	208	0.63
		L130	240	0.54
		L130	277	0.47
	3200	L130	347	0.37
		L130	480	0.27
2	4800	L180	120	1.50
		L180	208	0.87
		L180	240	0.75
		L180	277	0.65
		L180	347	0.52
		L180	480	0.38
2	5200	L210	120	1.75
		L210	208	1.01
		L210	240	0.88
		L210	277	0.76
		L210	347	0.61
		L210	480	0.44
4	6520	270	120	2.25
		270	208	1.30
		270	240	1.13
		270	277	0.97
	6400	270	347	0.78
		270	480	0.56
4	7200	300	120	2.50
		300	208	1.44
		300	240	1.25
		300	277	1.08
	7400	300	347	0.86
		300	480	0.63
4	9600	370	120	3.08
		370	208	1.78
		370	240	1.54
		370	277	1.34
		370	347	1.07
		370	480	0.77

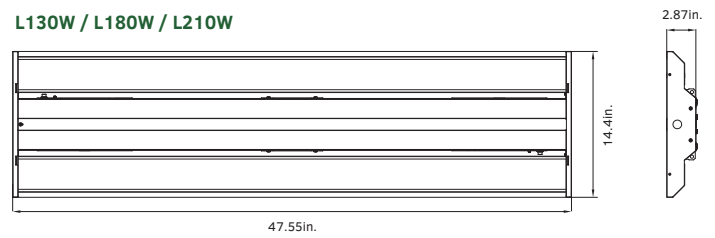
Dimensions & Weight

90W / 130W



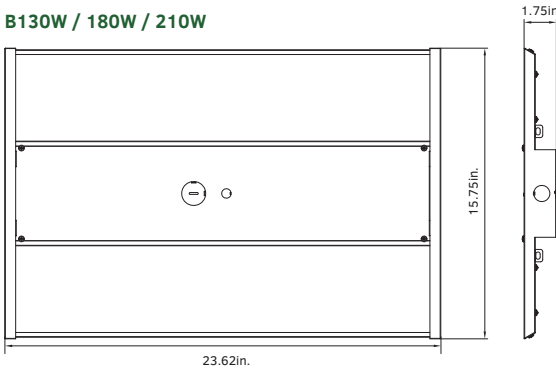
Weight
90W: 5.84 lb.
130W: 7.32 lb.

L130W / L180W / L210W



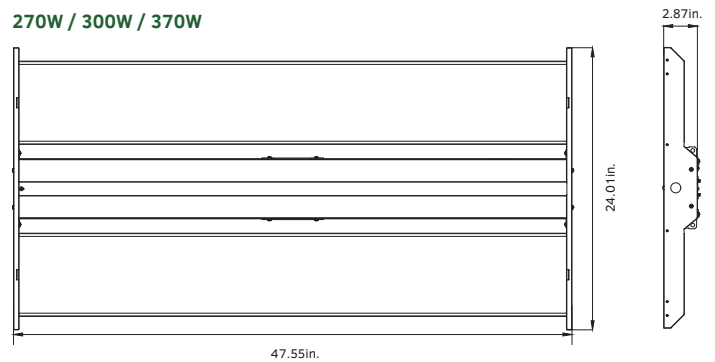
Weight
L130W: 13.91 lb.
L180W: 14.76 lb.
L210W: 15.12 lb.

B130W / 180W / 210W



Weight
B130W: 8.92 lb.
180W: 9.19 lb.
210W: 9.26 lb.

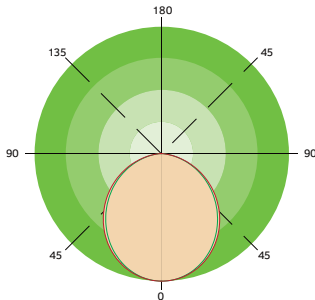
270W / 300W / 370W



Weight
270W: 22.46 lb.
300W: 22.49 lb.
370W: 22.50 lb.

Photometric Distribution

General



Ordering Information

Linear High Bay Series GKOMLHG4				Example: GKOMLHG4130W27V50KCD			
Fixture Type	Wattage	Voltage	CCT	Lens	Sensor (Optional)	Emergency Battery (Optional)	Internal Code
<input type="text"/>	<input type="text"/>	<input type="text"/>	<input type="text"/>	<input type="text"/>	<input type="text"/>	<input type="text"/>	<input type="text"/>
GKOMLHG4	90W 130W B130W 180W 210W L130W L180W L210W 270W 300W 370W	27V 120-277V 48V 347-480V	40K 4000K 50K 5000K	CD Clear Lens	M With 120-277V Sensor Blank Without Sensor	B With Battery Blank Without Battery	Blank Alphanumeric

Note: 1. Not all product variations listed on this page are DLC qualified. Visit www.designlights.org/search to confirm qualification. 2. Emergency Battery Backup is not available for 347-480V.



10330 Argonne Woods Dr. Ste. 200
Woodridge, IL 60517
Phone: 630-793-9449
Web: www.gkoled.com