



## Product Overview

The GKOAL04 Area Light series is the compact, efficient, cost-effective approach to LED area lighting, providing great operating performance in a functional, low-profile design for parking lots and commercial lighting applications.



## Key Features

### CONSTRUCTION:

- Rugged single-piece, die-cast aluminum housing with integral heat sink fins.
- Housing has direct contact with the driver to help maintain low temperature and long lifespan.
- 3G vibration rated per ANSI C136.31, low EPA (0.48ft for 300W).
- Housing is completely sealed against moisture and environmental contaminants.

### OPTICS:

- Type III, IV, V light distribution available.
- Light engines are available in standard 4000K and 5000K configurations.
- A wide range of lumen options available from 5,360 to 42,000 Lumens, replaces up to 1,000W metal halide.
- Impact and UV-resistant polycarbonate lens is precisely designed to give a specific light distribution, maximizing efficiency and application spacing.
- Optional backlight control is available for minimizing lighting spillover in order to comply with local ordinances.

### ELECTRICAL:

- Universal 120-277V or 347-480V input voltage.
- 10KV surge protection for 120-277V and 20KV surge protection for 347-480V.
- 1-10V dimming driver(s) as default.
- THD: ≤20%, Power Factor: ≥90%.

### CONTROLS:

- Optional twist-lock photocell - P0 120-277V, P3 347V, or P4 480V.
- Bluetooth networked controls that are DLC NLC qualified, utilizing a Bluetooth SIG mesh network operated with IOS and web, optional for 150W and above.

### INSTALLATION:

- Suitable for mounting heights ranging from 20'-50' in area lighting applications.
- Round pole, square pole, slipfitter and wall mount are available.
- Designed to be suitable for installation by only one person.

### WARRANTY:

- 5 Year Limited Warranty.

### LISTINGS:

- DesignLights Consortium® (DLC) Premium qualified.
- UL listed for wet locations.
- Rated for ambient operating temperature -40°F to 113°F (-40°C to 45°C).

# Performance Data

## Lumen Output

System Watts	Voltage	Distribution Type	4000K(70CRI)		5000K(70CRI)	
			Lumens	Efficacy	Lumens	Efficacy
40W	120-277V	3	5400lm	135lm/W	5500lm	138lm/W
	120-277V	4	5360lm	134lm/W	5480lm	137lm/W
	120-277V	5	5600lm	140lm/W	5720lm	143lm/W
45W	347-480V	3	5900lm	131lm/W	6000lm	133lm/W
	347-480V	4	5850lm	130lm/W	5940lm	132lm/W
	347-480V	5	6120lm	136lm/W	6210lm	138lm/W
70W	120-277V	3	9500lm	136lm/W	9600lm	137lm/W
	120-277V	4	9310lm	133lm/W	9450lm	135lm/W
	120-277V	5	9730lm	139lm/W	9800lm	140lm/W
75W	347-480V	3	9800lm	131lm/W	10000lm	133lm/W
	347-480V	4	9750lm	130lm/W	9900lm	132lm/W
	347-480V	5	10200lm	136lm/W	10350lm	138lm/W
100W	120-277V	3	13500lm	135lm/W	13800lm	138lm/W
	120-277V	4	13200lm	132lm/W	13300lm	133lm/W
	120-277V	5	13800lm	138lm/W	13900lm	139lm/W
150W	120-277V	3	20500lm	137lm/W	20800lm	139lm/W
	347-480V	3	21000lm	140lm/W	21300lm	143lm/W
	120-277V/347-480V	4	19800lm	132lm/W	20000lm	133lm/W
	120-277V	5	20500lm	137lm/W	20800lm	139lm/W
	347-480V	5	21000lm	140lm/W	21000lm	140lm/W
200W	120-277V	3	25500lm	128lm/W	26000lm	130lm/W
	347-480V	3	25500lm	128lm/W	26000lm	130lm/W
	120-277V/347-480V	4	24600lm	123lm/W	24800lm	124lm/W
	120-277V/347-480V	5	25500lm	128lm/W	26000lm	130lm/W
250W	120-277V/347-480V	3	34000lm	136lm/W	34500lm	138lm/W
	120-277V/347-480V	4	33250lm	133lm/W	33750lm	135lm/W
	120-277V/347-480V	5	34750lm	139lm/W	35250lm	141lm/W
300W	120-277V	3	40500lm	135lm/W	41000lm	137lm/W
	347-480V	3	41500lm	138lm/W	42000lm	140lm/W
	120-277V/347-480V	4	39600lm	132lm/W	39900lm	133lm/W
	120-277V	5	40500lm	135lm/W	41000lm	137lm/W
	347-480V	5	41500lm	138lm/W	42000lm	140lm/W

## BUG Rating

System Watts	Voltage	Distribution Type	B	U	G
40W	120-277V	3	1	0	1
45W	347-480V	3	1	0	1
70W	120-277V	3	2	0	2
75W	347-480V	3	2	0	2
100W	120-277V	3	2	0	2
150W	120-277V/347-480V	3	3	0	3
200W	120-277V/347-480V	3	3	0	3
250W	120-277V/347-480V	3	4	0	4
300W	120-277V/347-480V	3	4	0	4

## EPA of Area Light

	1	2 @90°	2 @120°	2 @180°	3 @90°	3 @120°	4 @90°
40W/70W/100W	0.3413	0.5929	0.7983	0.6826	1.0239	1.0499	1.0239
150W/200W	0.423	0.735	0.873	0.846	1.158	1.185	1.158
250W/300W	0.4759	0.7889	1.0581	0.9518	1.2648	1.3711	1.2648

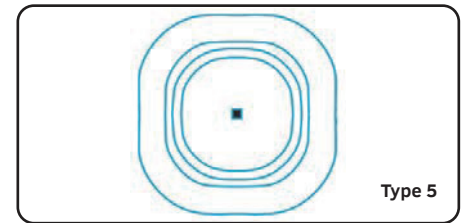
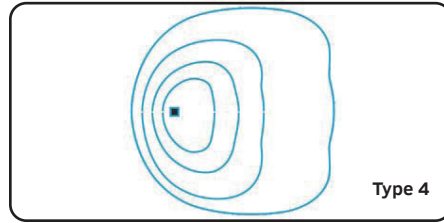
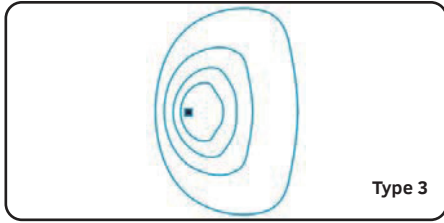
# Lighting Distribution

GKOLED offers a complete set of optical systems to meet every site lighting requirement. These systems provide remarkable flexibility in precisely matching light distribution patterns to specific site requirements.

Type 3 optics produce an asymmetrical pattern that directs the majority of the light forward and equally on both sides of the luminaire. In a back-to-back configuration, it creates a rectangular pattern which can extend pole spacings.

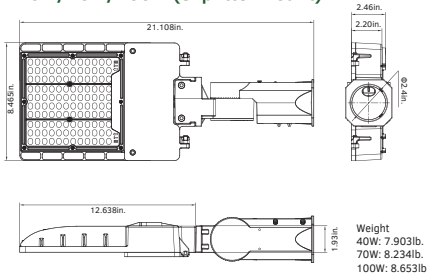
Type 4 is suitable for applications where light is primarily required forward with minimal backlight. Typical installations include perimeter poles.

Type 5 optics produce a symmetrical square distribution pattern that distributes light equally on all sides of the luminaire. Type 5 luminaires are universal for most area lighting applications.

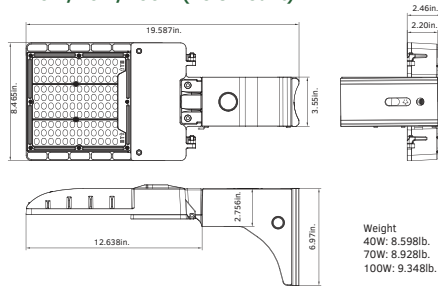


# Dimensions & Weight

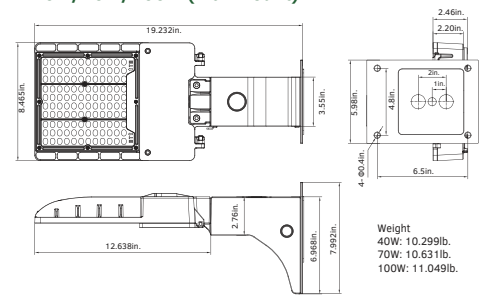
## 40W/70W/100W (Slipfitter Mount)



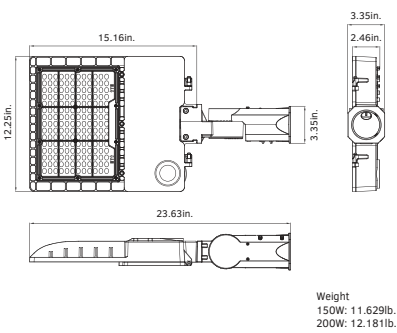
## 40W/70W/100W (Pole Mount)



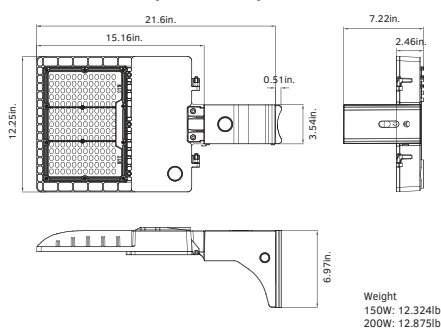
## 40W/70W/100W (Wall Mount)



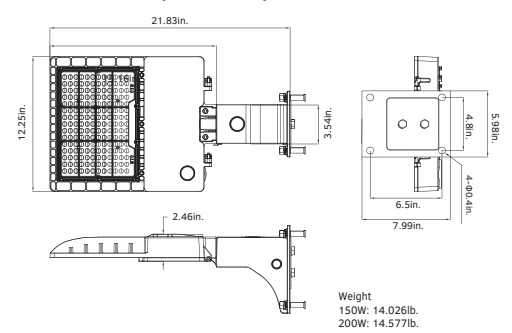
## 150W/200W (Slipfitter Mount)



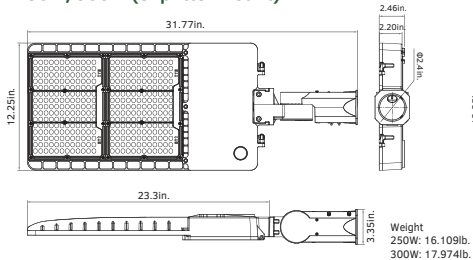
## 150W/200W (Pole Mount)



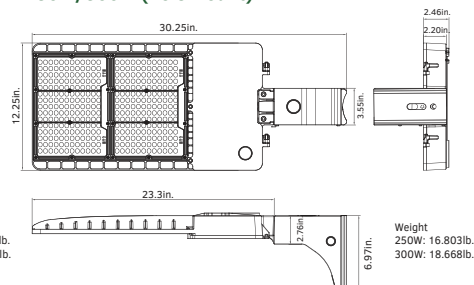
## 150W/200W (Wall Mount)



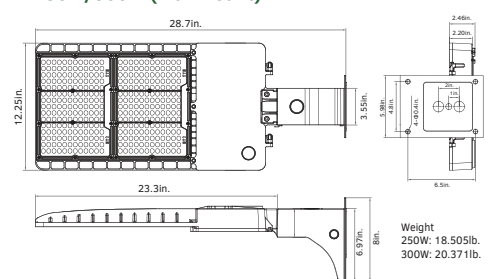
## 250W/300W (Slipfitter Mount)



## 250W/300W (Pole Mount)



## 250W/300W (Wall Mount)

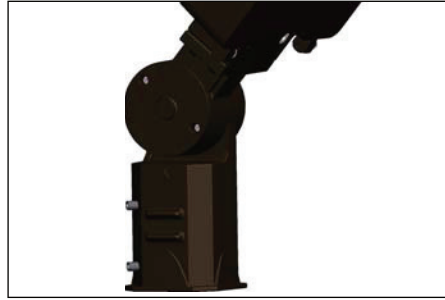


# Mounting Information

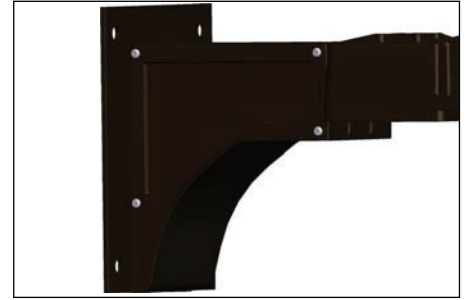
## Mounting Options



**Pole Mount (4" and 5" Square and Round poles)**  
Standard versatile mounting arm is simple to install and can be used with existing poles for retrofit installations.



**Slipfitter Mount**  
An optional cast aluminum mast arm adaptor secures fixture head to nominal 2" (2-3/8" O.D. pipe size) horizontal steel tenon arm.



**Wall Mount**  
Wall Mount is easy to install for direct wall mounting with 1/2" conduit wiring or standard J-box mounting.

## Mounting Accessories

Round Pole Connecting Plate • For square mount to be fixed to a round pole		
<p>Square pole Luminaire</p>	<p>Round pole 5" O.D. Connecting piece Luminaire</p>	<p><b>Drilling Template</b></p> <p>1-1/4" (32mm) 1" (25mm) 1-1/4" (32mm) 3-7/16" (86mm) 9/16" DIA. HOLE 9/16" HOLE</p>

## Additional Accessories

POLE BRACKET • For mounting one fixture on an existing pole			
	<p><b>4" Square Pole Mount with 2-3/8" O.D. Tenon</b> NO. 4SQ-SP-D FINISH: Dark Bronze USE: For use with square, non-tapered steel and aluminum poles. Furnished with four 5/16" hex head stainless-steel bolts. Vertical tenon measures 2-3/8" O.D., and is made of steel tubing. Fixtures mounted to this bracket can be adjusted both vertically and horizontally.</p>		<p><b>4" Round Pole Mount with 2-3/8" O.D. Tenon</b> NO. 4SQR-SP-D FINISH: Dark Bronze USE: For use with round, non-tapered steel and aluminum poles. Furnished with three 3/8" hex head stainless-steel bolts. Vertical tenon measures 2-3/8" O.D., and is made of steel tubing. Fixtures mounted to this bracket can be adjusted both vertically and horizontally.</p>
	<p><b>5" Square Pole Mount with 2-3/8" O.D. Tenon</b> NO. 5SQ-SP-D FINISH: Dark Bronze USE: For use with square, non-tapered steel and aluminum poles. Furnished with four 5/16" hex head stainless-steel bolts. Vertical tenon measures 2-3/8" O.D., and is made of steel tubing. Fixtures mounted to this bracket can be adjusted both vertically and horizontally.</p>		<p><b>5" Round Pole Mount with 2-3/8" O.D. Tenon</b> NO. 5SQR-SP-D FINISH: Dark Bronze USE: For use with round, non-tapered steel and aluminum poles. Furnished with three 3/8" hex head stainless-steel bolts. Vertical tenon measures 2-3/8" O.D., and is made of steel tubing. Fixtures mounted to this bracket can be adjusted both vertically and horizontally.</p>
	<p><b>2-3/8" O.D. Tenon Mount Adaptor for Yoke Fixtures</b> NO. SP-TR-D FINISH: Dark Bronze USE: The 2-3/8" O.D. Tenon Mount Adaptor for Yoke Fixtures is designed to mount GKOLED light fixtures that are equipped with a yoke mount onto a 2-3/8" O.D. tenon. It may be utilized with the GKOLED flood light series of light fixture.</p>		<p><b>Angle Adjustment Adaptor</b> NO. SQA-AL04DA FINISH: Dark Bronze USE: This durable bracket is engineered as a versatile mounting option. Made from die-cast aluminum, it allows for optimal positioning of the light fixture to maximize the light effectiveness both vertically and horizontally.</p>
WALL BRACKET • Attaches to any flat surface • Provides wiring access		Mid-Pole Tenon Bracket	
	<p><b>90° Wall Mount Bracket with 2-3/8" O.D. Tenon</b> NO. WM-SP-D FINISH: Dark Bronze USE: The 90° Wall Mount Bracket with 2-3/8" Tenon attaches a GKOLED flood light to almost any surface, wall, roof, or wood pole. Provides wiring access and a built-in 2-3/8" O.D. tenon to mount a fixture with our adjustable slipfitter. Suggested 3/8" diameter bolts for mounting. Mounting holes are spaced 3-1/4" apart.</p>		<p><b>2-3/8" O.D. Horizontal Tenon Mid-Pole Bracket</b> NO. SQ-SP-D FINISH: Dark Bronze USE: The 2-3/8" O.D. Horizontal Tenon Mid-Pole Bracket is designed to mount a light fixture that is equipped with an adjustable slipfitter onto a 2-3/8" O.D. horizontal tenon.</p>

# Additional Accessories

Round External Mount Horizontal Tenon		• To mount 2, 3, or 4 fixtures on an existing pole	
	<p>Double 90° Horizontal Tenon Adaptor NO. R60-SP2-90-D FINISH: Dark Bronze USE: The Bracket is designed to mount over a 2-3/8" (60mm) O.D. vertical tenon. Two fixtures can be mounted to the Round External Mount Horizontal Tenon and adjusted horizontally.</p>		<p>Triple 120° Horizontal Tenon Adaptor NO. R60-SP3-120-D FINISH: Dark Bronze USE: The Bracket is designed to mount over a 2-3/8" (60mm) O.D. vertical tenon. Three fixtures can be mounted to the Round External Mount Horizontal Tenon and adjusted horizontally.</p>
	<p>Double 180° Horizontal Tenon Adaptor NO. R60-SP2-180-D FINISH: Dark Bronze USE: The Bracket is designed to mount over a 2-3/8" (60mm) O.D. vertical tenon. Two fixtures can be mounted to the Round External Mount Horizontal Tenon and adjusted horizontally.</p>		<p>Quad 90° Horizontal Tenon Adaptor NO. R60-SP4-90-D FINISH: Dark Bronze USE: The Bracket is designed to mount over a 2-3/8" (60mm) O.D. vertical tenon. Four fixtures can be mounted to the Round External Mount Horizontal Tenon and adjusted horizontally.</p>
	<p>Triple 90° Horizontal Tenon Adaptor NO. R60-SP3-90-D FINISH: Dark Bronze USE: The Bracket is designed to mount over a 2-3/8" (60mm) O.D. vertical tenon. Three fixtures can be mounted to the Round External Mount Horizontal Tenon and adjusted horizontally.</p>		

# Ordering Information

Area Light Series GKOAL04						Example:GKOAL0470W27V50KDPOSQT3S			
Fixture Type	Wattage	Voltage	CCT	Finish	Photocell (Optional)	Mounting	Photometry	Surge Protection (Optional)	
<input type="text"/>	<input type="text"/>	<input type="text"/>	<input type="text"/>	<input type="text"/>	<input type="text"/>	<input type="text"/>	<input type="text"/>	<input type="text"/>	
GKOAL04	40W	27V 120-277V	40K 4000K 50K 5000K	D Dark Bronze	P0 120-277V Photocell	SQ Square Pole Mount	T3 Type III Photometry	S Surge Protection	
	70W			B Black	P3 347V Photocell	SP Slipfitter Mount	T4 Type IV Photometry	Blank No Surge Protection	
	100W	W White		P4 480V Photocell	WM Wall Mount	T5 Type V Photometry			
	45W	48V 347-480V		SG Silver Gray	Blank Without Photocell				
	75W								

Area Light Series GKOAL04						Example:GKOAL04300W27V50KDPOSPT3			
Fixture Type	Wattage	Voltage	CCT	Finish	Photocell (Optional)	Mounting	Photometry		
<input type="text"/>	<input type="text"/>	<input type="text"/>	<input type="text"/>	<input type="text"/>	<input type="text"/>	<input type="text"/>	<input type="text"/>		
GKOAL04	150W	27V 120-277V	40K 4000K 50K 5000K	D Dark Bronze	P0 120-277V Photocell	SQ Square Pole Mount	T3 Type III Photometry		
	200W			B Black	P3 347V Photocell	SP Slipfitter Mount	T4 Type IV Photometry		
	250W	W White		P4 480V Photocell	WM Wall Mount	T5 Type V Photometry			
	300W			SG Silver Gray	Blank Without Photocell				

Note: 1. Not all product variations listed on this page are DLC qualified. Visit [www.designlights.org](http://www.designlights.org) to confirm qualification.  
2. Dark bronze is the default color in stock. All other colors are special order and may require additional lead time and charges.