



20° BEAM ANGLE:  
20W / 30W



44° BEAM ANGLE:  
20W / 30W

## Product Overview

Designed with a narrow beam angle of 20° or 44°, the GKOLED GKOFR01 Spotlight is ideal for many commercial and residential outdoor applications, such as flagpoles and landscaping. It features a protective, rust-resistant powder coat finish and a tempered, shatter-resistant glass lens, ensuring the unit's longevity. A versatile knuckle mount enables precise aiming of the fixture.

## Key Features

### CONSTRUCTION:

- Rugged die-cast aluminum housing.
- Tempered shatter-resistant glass lens.
- Housing is completely sealed against moisture and environmental contaminants.

### FINISH:

- The exterior is protected by a rust-resistant powder coat finish that provides superior resistance to weathering and corrosion.

### OPTICS:

- Narrow 20° or 44° beam angle to meet the demand for long-distance and circular lighting.
- Light engines are available in standard 4000K and 5000K configurations.
- A range of lumen options available from 2,400 to 3,350 Lumens, replaces up to 100W metal halide.

### ELECTRICAL:

- Standard 120-277V input voltage.
- THD: ≤20%, Power Factor: ≥90%.

### INSTALLATION:

- Versatile knuckle mount enables precise aiming of fixture.

### WARRANTY:

- 5 Year Limited Warranty.

### LISTINGS:

- UL listed for wet locations.
- Rated for ambient operating temperature -40°F to 113°F (-40°C to 45°C).



# Performance Data

## Lumen Output

System Watts	Voltage	Beam Angle	4000K(70CRI)		5000K(70CRI)	
			Lumens	Efficacy	Lumens	Efficacy
20W	120-277V	20°	2400lm	120lm/W	2500lm	125lm/W
20W	120-277V	44°	2400lm	120lm/W	2500lm	125lm/W
30W	120-277V	20°	3350lm	112lm/W	3350lm	112lm/W
30W	120-277V	44°	3230lm	118lm/W	3350lm	112lm/W

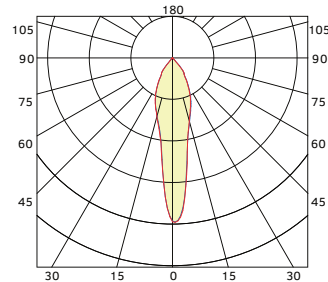
## Electrical Data

Number of Drivers	Driver Current (mA)	Nominal Power (W)	Input Voltage (V)	Current (Amps)
1	500	20	120	0.17
		20	208	0.10
		20	240	0.08
		20	277	0.07
1	750	30	120	0.25
		30	208	0.14
		30	240	0.13
		30	277	0.11

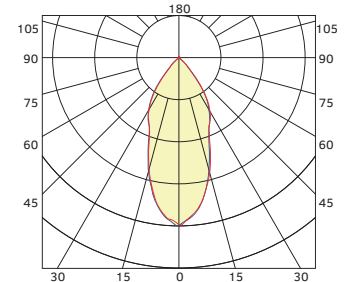
## Beam Angles & Light Distribution



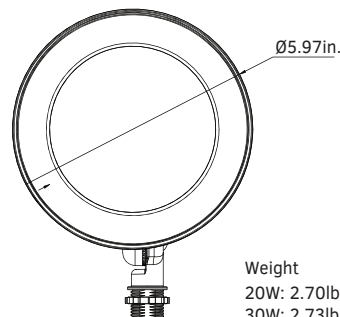
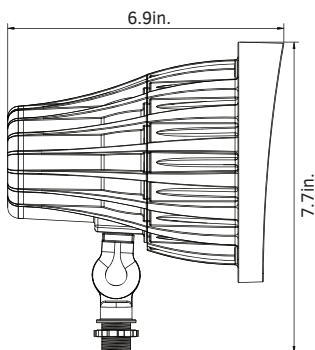
**20° BEAM ANGLE**  
This lens produces a narrow beam of light for circular lighting applications.



**44° BEAM ANGLE**  
This lens produces a more diffused beam of light for lighting a wider area.



## Dimensions & Weight



Weight  
20W: 2.70lb.  
30W: 2.73lb.



# Ordering Information

Spotlight Series GKOFR01				Example: GKOFR30W27V50KBDSFL			
Fixture Type	Wattage	Voltage	CCT	CRI	Finish	Beam Angle	
<input type="text"/>	<input type="text"/>	<input type="text"/>	<input type="text"/>	<input type="text"/>	<input type="text"/>	<input type="text"/>	
<b>GKOFR</b>	<b>20W</b> <b>30W</b>	<b>27V</b> 120-277V	<b>40K</b> 4000K <b>50K</b> 5000K	<b>B</b> >70	<b>D</b> Dark Bronze <b>SG</b> Silver Gray <b>W</b> White <b>B</b> Black	<b>SFL</b> 20° Beam Angle <b>NFL</b> 44° Beam Angle	