



**TUNABLE POWER & CCT:**  
97W / 215W

**FIXED POWER & CCT:**  
67W / 140W / 180W / 215W

## Product Overview

Series GKOHB06 Circular High Bays are an ideal light source for energy-efficient, low maintenance illumination in large commercial and industrial spaces. A center-mounted motion sensor provides more energy savings.



## Key Features

### CONSTRUCTION:

- Rugged single-piece aluminum housing with integral heat sink fins.
- Housing is completely sealed against moisture and environmental contaminants.

### FINISH:

- The exterior is protected by a black rust-resistant polyester powder coat finish that provides superior resistance to weathering and corrosion.

### OPTICS:

- Light engines are available in standard 4000K and 5000K configurations.
- A range of lumen options available from 9,100 to 30,000 Lumens, replaces up to 400W metal halide.
- Impact and UV-resistant polycarbonate lens is precisely designed to give a specific light distribution, maximizing efficiency and application spacing.

### ELECTRICAL:

- Standard 120-277V input voltage, optional 347-480V input voltage (140W only).
- Standard 6KV surge protection.
- 1-10V dimming driver(s) as default on 67W & 140W models.
- 0-10V dimming driver(s) as default on 97W, 180W, and 215W models.
- THD: ≤20%, Power Factor: ≥90%.

### CONTROLS:

- Power & CCT adjustment controls included with 97W and available for 215W.
- Optional center-mounted, integrated multi-level motion sensor - BRI823, ANT-6-4T (215W Tunable), US002-01VR-1 (97W Tunable Special Order).
- Optional emergency battery backup provides up to 90 minutes of operation during outages. 180W and 215W require conduit adaptor to use battery backup.
- Bluetooth networked controls that are DLC NLC qualified, utilizing a Bluetooth SIG mesh network operated with IOS and web, optional for all models except 97W Power & CCT Tunable.

### INSTALLATION:

- Pendant mount or hook mount options are available. Optional conduit adaptor required for pendant mounting 180W and 215W.
- Optional Adjustable Surface Mounting Bracket allows precise aiming of the fixture to 0°, 30°, 60°, 90°, 120°, 150°, or 180° - not available for 180W or 215W.

### WARRANTY:

- 5 Year Limited Warranty.

### LISTINGS:

- DesignLights Consortium® (DLC) qualified & UL Wet Location Listed.
- Rated for operating temperature -40°F to 113°F (-40°C to 45°C).
- Tunable model rated for operating temperature -40°F to 122°F (-40°C to 50°C).

# Performance Data

## Lumen Output

System Watts	Voltage	Photometry	4000K(80CRI)		5000K(80CRI)	
			Lumens	Efficacy	Lumens	Efficacy
67W	120-277V	General High Bay	9100lm	136lm/W	9100lm	136lm/W
140W	120-277V/347-380V	General High Bay	17500lm	125lm/W	17500lm	125lm/W
180W	120-277V	General High Bay	25000lm	139lm/W	25000lm	139lm/W
215W	120-277V	General High Bay	30000lm	140lm/W	30000lm	140lm/W

## 97W and 215W Adjustable Power & CCT Lumen Output Table

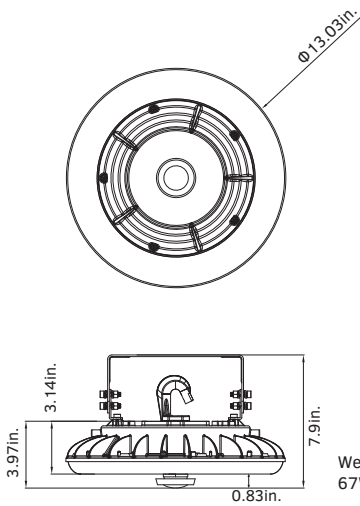
Setting	Photometry	Voltage	97W				215W					
			System Watts	Lumens (4000K)	Efficacy (4000K)	Lumens (5000K)	Efficacy (5000K)	System Watts	Lumens (4000K)	Efficacy (4000K)	Lumens (5000K)	Efficacy (5000K)
LV1	General High Bay	120-277V	97W	14000lm	144lm/W	13800lm	142lm/W	215W	30500lm	144lm/W	30300lm	142 lm/W
LV2	General High Bay	120-277V	80W	11700lm	146lm/W	11500lm	144lm/W	170W	25000lm	156lm/W	24500lm	153lm/W
LV3	General High Bay	120-277V	60W	9000lm	150lm/W	8900lm	148lm/W	128W	20000lm	164lm/W	19500lm	162lm/W
LV4	General High Bay	120-277V	40W	6700lm	168lm/W	6600lm	165lm/W	85W	13700lm	176lm/W	13500lm	174lm/W

## Electrical Data

Number Of Drivers	Driver Current (mA)	Nominal Power (W)	Input Voltage (V)	Current (Amps)
1	1080	67	120	0.56
		67	208	0.32
		67	240	0.28
		67	277	0.24
1	850	97	120	0.81
		97	208	0.47
		97	240	0.40
		97	277	0.35
2	3300	140	120	1.17
		140	208	0.67
		140	240	0.58
		140	277	0.51
	3400	140	347	0.40
		140	480	0.29
1	930	180	120	1.50
		180	208	0.87
		180	240	0.75
		180	277	0.65
1	Tunable Power & CCT 830	215	120	1.79
		215	208	1.03
	Fixed Power & CCT 1065	215	240	0.90
		215	277	0.78

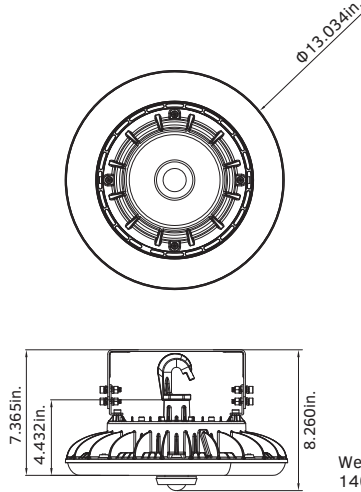
# Dimensions & Weight

Fixed Power & CCT: 67W



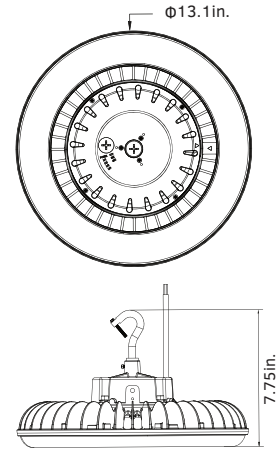
Weight:  
67W: 5.71lb.

Fixed Power & CCT: 140W



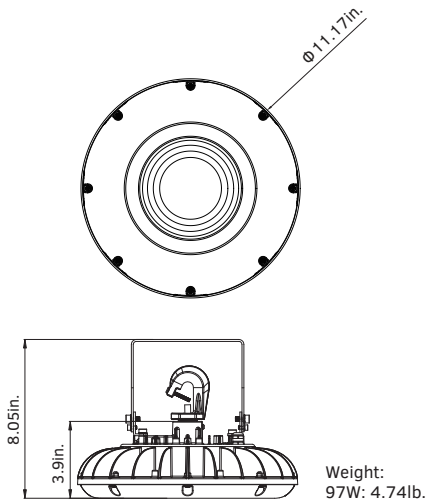
Weight:  
140W: 6.00lb.

Fixed Power & CCT: 180W & 215W



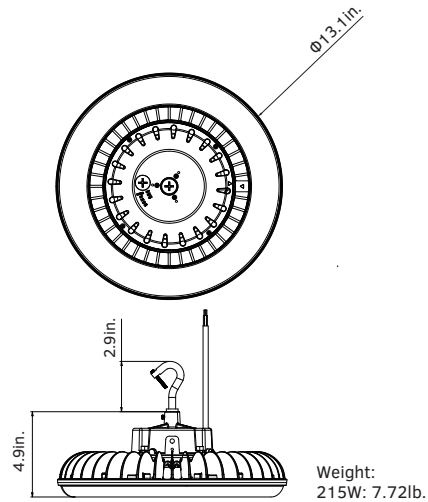
Weight:  
180W: 6.61lb.  
215W: 6.61lb.

Tunable Power & CCT: 97W



Weight:  
97W: 4.74lb.

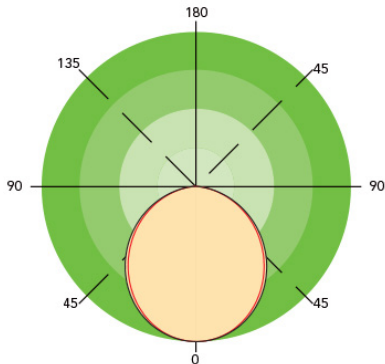
Tunable Power & CCT: 215W



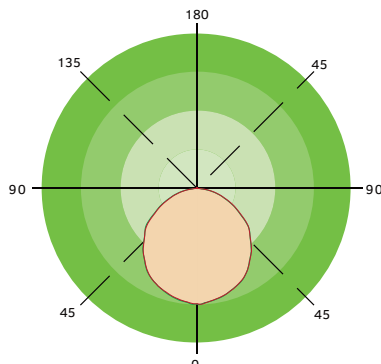
Weight:  
215W: 7.72lb.

# Light Distribution

General High Bay  
(Fixed Power & CCT)



General High Bay  
(Tunable Power & CCT)



# Ordering Information

Circular High Bay Series GKOHB06

Example: GKOHB06140W27V50KB

Fixture Type <input type="text"/>	Wattage <input type="text"/>	Voltage <input type="text"/>	CCT <input type="text"/>	Finish <input type="text"/>	Sensor (Optional) <input type="text"/>	Emergency Battery (Optional) <input type="text"/>	Internal Code <input type="text"/>
GKOHB06	67W 180W 215W	27V 120-277V	40K 4000K 50K 5000K	B Black	M With 120-277V Sensor Blank Without Sensor	B With Emergency Battery Blank Without Emergency Battery	Blank Alphanumeric
	140W	27V 120-277V 48V 347-480V					
	97W 215W	27V 120-277V	DDK Power & CCT Tunable				