



**TUNABLE POWER & CCT:**  
130W

**FIXED POWER & CCT:**  
45W / 70W / 87W / 130W

## Product Overview

Featuring a sleek, modern design, the GKOPT01 Post Top Light provides reliable illumination, producing zero uplight while blending perfectly into urban and suburban pedestrian areas. The Post Top Light is designed to be mounted at a height of 8' to 20' on a round pole with a diameter of 2 3/8" or 3". Pole not included.

## Key Features

### CONSTRUCTION:

- Rugged die-cast aluminum housing.
- 3G vibration rated for areas with traffic, meeting ANSI standards C136.31.
- Housing is completely sealed against moisture and environmental contaminants.

### FINISH:

- The exterior is protected by a rust-resistant powder coat finish that provides superior resistance to weathering and corrosion.

### OPTICS:

- Light engines are available in standard 3000K, 4000K and 5000K configurations.
- A range of lumen options available from 5,400 to 17,200 Lumens, replaces up to 400W metal halide.
- Impact and UV-resistant polycarbonate lens is precisely designed to give a specific light distribution, maximizing efficiency and application spacing.

### ELECTRICAL:

- Universal 120-277V input voltage.
- 1-10V dimming driver(s) optional.
- THD: ≤20%, Power Factor: ≥90%.

### CONTROLS:

- Standard model is Power & CCT Tunable 130W. Fixed wattage & CCT 45W, 70W, 87W, and 130W are special order only.
- Optional multi-level motion sensor - BRI823.
- Optional twist-lock photocell for additional energy savings - P0 120-277V.

### INSTALLATION:

- Suitable for mounting heights ranging from 8'-20'.
- Compatible with round poles with a standard diameter of 3" and, with the durable vibration-resistant pole sleeve adaptor, round poles with a standard diameter of 2 3/8".

### WARRANTY:

- 5 Year Limited Warranty.

### LISTINGS:

- DesignLights Consortium® (DLC) Premium qualified.
- UL Wet Location Listed.
- Rated for ambient operating temperature -40°F to 113°F (-40°C to 45°C).



# Performance Data

## Fixed Power & CCT Model Lumen Output

System Watts	Voltage	3000K(70CRI)		4000K(70CRI)		5000K(70CRI)	
		Lumens	Efficacy	Lumens	Efficacy	Lumens	Efficacy
45W	120-277V	5400lm	120lm/W	5450lm	121lm/W	5500lm	122lm/W
70W	120-277V	8400lm	120lm/W	8450lm	121lm/W	8500lm	121lm/W
87W	120-277V	10500lm	121lm/W	10600lm	122lm/W	10600lm	122lm/W
130W	120-277V	15600lm	120lm/W	15800lm	122lm/W	15800lm	122lm/W

## Power & CCT Tunable Model Lumen Output

System Watts	Voltage	3000K(70CRI)		4000K(70CRI)		5000K(70CRI)	
		Lumens	Efficacy	Lumens	Efficacy	Lumens	Efficacy
130W	120-277V	16000lm	123lm/W	17200lm	132lm/W	16300lm	125lm/W

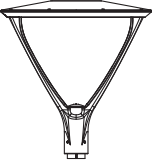
## Adjustable Lumen Output Table

Setting	System Watts	Voltage	CRI	Lumens (3000K)	Efficacy (3000K)	Lumens (4000K)	Efficacy (4000K)	Lumens (5000K)	Efficacy (5000K)
LV1	130W	120-277V	70	16000lm	123lm/W	17200lm	132lm/W	16300lm	125lm/W
LV2	87W	120-277V	70	11600lm	133lm/W	12000lm	138lm/W	11800lm	136lm/W
LV3	70W	120-277V	70	9700lm	139lm/W	10000lm	143lm/W	9000lm	141lm/W
LV4	45W	120-277V	70	6500lm	144lm/W	6700lm	149lm/W	6000lm	147lm/W

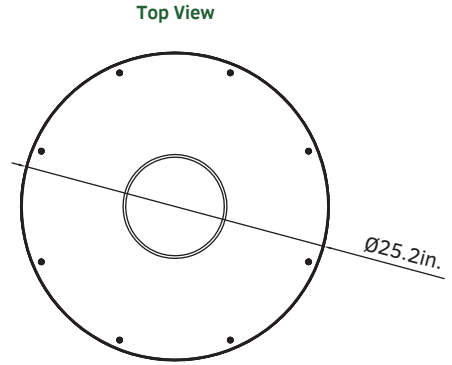
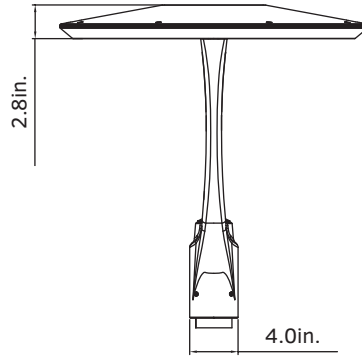
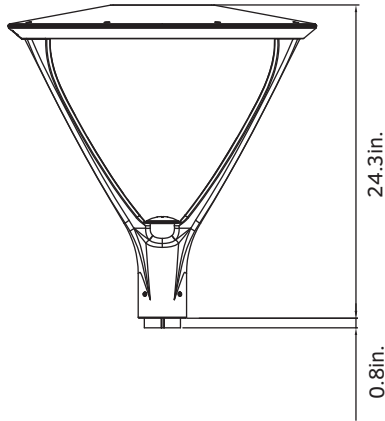
## Electrical Data

Number of Drivers	Driver Current (mA)	Nominal Power (W)	Input Voltage (V)	Current (Amps)
1	1120	45	120	0.38
		45	208	0.22
		45	240	0.19
		45	277	0.16
1	1750	70	120	0.58
		70	208	0.34
		70	240	0.29
		70	277	0.25
2	2240	87	120	0.75
		87	208	0.43
		87	240	0.38
		87	277	0.32
2	3500	130	120	1.08
		130	208	0.63
		130	240	0.54
		130	277	0.47

# Post Top Light EPA

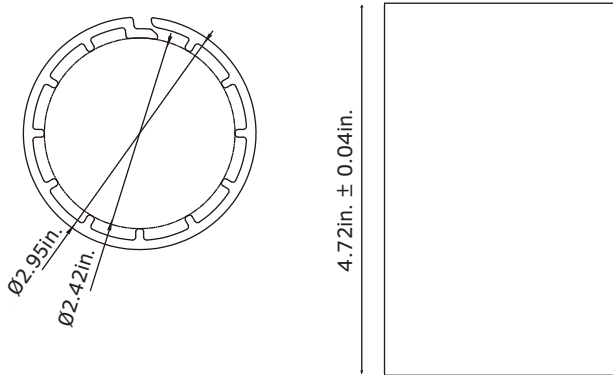
Item	
EPA	0.9696

## Dimensions & Weight



Weight: 45W: 24.3lb.  
70W: 24.6lb.  
87W: 25.1lb.  
130W: 25.7lb.

Pole Sleeve



## Ordering Information

Post Top Light GKOPT01

Example: GKOPLO1130W27VDDKD

Fixture Type	Wattage	Voltage	CCT	Finish	Photocell (Optional)	Sensor (Optional)	Photometry	Internal Code
<input type="text"/>	<input type="text"/>	<input type="text"/>	<input type="text"/>	<input type="text"/>	<input type="text"/>	<input type="text"/>	<input type="text"/>	<input type="text"/>
GKOPLO1	130W	27V 120-277V	DDK Power & CCT Tunable	D Dark Bronze B Black W White	PO 120-277V Photocell Blank Without Photocell	M With Sensor Blank Without Sensor	Blank General Photometry	Blank Alphanumeric
	45W*	27V 120-277V	30K 3000K					
	70W*		40K 4000K					
	87W*		50K 5000K					
	130W*							

Note: Fixed wattage 45W, 70W, 87W, and 130W are special order only.



100 E. Crossroads Pkwy. Ste. C  
Bolingbrook, IL 60440  
Phone: 630-793-9449  
Web: www.gkoled.com