



MEDIUM SIZE:
100W / 150W / 200W



LARGE SIZE:
240W / 300W / 350W

Product Overview

GKOFDG9 Flat Flood Light series are designed to provide superior performance and efficacy for exterior lighting applications. A range of lumen options from 14,800 to 51,000 Lumens replace up to 1,000W metal halide. These versatile luminaires provide the user with exceptional control for uplighting and wall washing, and are covered by a 10-year limited warranty.



Key Features

CONSTRUCTION:

- Rugged single-piece, die-cast aluminum housing with integral heat sink fins.
- Housing has direct contact with the driver to help maintain low temperature and long lifespan.
- Housing is completely sealed against moisture and environmental contaminants.

OPTICS:

- Standard NEMA 7H*7V light distribution.
- Light engines are available in standard 4000K and 5000K configurations.
- A wide range of lumen options available, from 14,800 to 51,000 Lumens, replaces up to 1,000W metal halide.
- Impact and UV-resistant polycarbonate lens is precisely designed to give a specific light distribution, maximizing efficiency and application spacing.

ELECTRICAL:

- Universal 120-277V or 347-480V input voltage.
- 10KV surge protection for 120-277V and 20KV surge protection for 347-480V.
- 1-10V dimming driver(s) as default.
- THD: ≤20%, Power Factor: ≥90%.

CONTROLS:

- Optional twist-lock photocell for additional energy savings - P0 120-277V or P4 480V.

INSTALLATION:

- Slipfitter, yoke, trunnion, and wall mount are available.
- Designed to be suitable for installation by only one person.

WARRANTY:

- 10 Year Limited Warranty (GKOFDG9).

LISTINGS:

- DesignLights Consortium® (DLC) Premium qualified.
- UL listed for wet locations.
- Rated for ambient operating temperature -40°F to 113°F (-40°C to 45°C).

Performance Data

Lumen Output

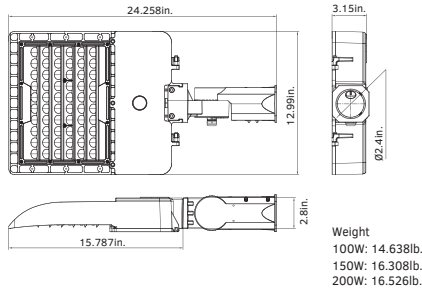
Series / Watts	Voltage	Beam Angle NEMA	4000K(70CRI)		5000K(70CRI)	
			Lumens	Efficacy	Lumens	Efficacy
GKOFDG9 / 100W	120-277V / 347-480V	7H*7V	14800lm	148 lm/W	14800lm	148lm/W
GKOFDG9 / 150W	120-277V / 347-480V	7H*7V	22200lm	148lm/W	22200lm	148lm/W
GKOFDG9 / 200W	120-277V / 347-480V	7H*7V	28800lm	144lm/W	28800lm	144lm/W
GKOFDG9 / 240W	120-277V / 347-480V	7H*7V	35500lm	148lm/W	35500lm	148lm/W
GKOFDG9 / 300W	120-277V / 347-480V	7H*7V	43700lm	146lm/W	43700lm	146lm/W
GKOFDG9 / 350W	120-277V / 347-480V	7H*7V	51000lm	146lm/W	51000lm	146lm/W

Electrical Data

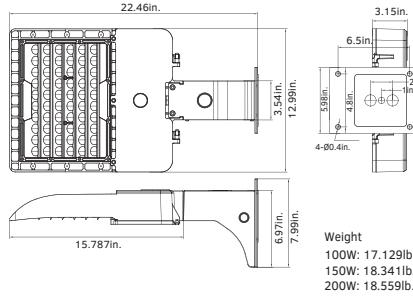
Number of Drivers	Driver Current (mA)	Nominal Power (W)	Input Voltage (V)	Current (Amps)
1	2600	100	120	0.83
		100	208	0.48
		100	240	0.42
		100	277	0.36
		100	347	0.29
		100	480	0.21
1	3850	150	120	1.25
		150	208	0.72
		150	240	0.63
		150	277	0.54
		150	347	0.43
		150	480	0.31
1	5100	200	120	1.67
		200	208	0.96
		200	240	0.83
		200	277	0.72
		200	347	0.58
		200	480	0.42
1	6300	240	120	2.00
		240	208	1.15
		240	240	1.00
		240	277	0.87
		240	347	0.69
		240	480	0.50
1	6000	300	120	2.50
		300	208	1.44
		300	240	1.25
		300	277	1.08
		300	347	0.86
		300	480	0.63
1	5800	350	120	2.92
		350	208	1.68
		350	240	1.46
		350	277	1.26
		350	347	1.01
		350	480	0.73

Dimensions & Weight

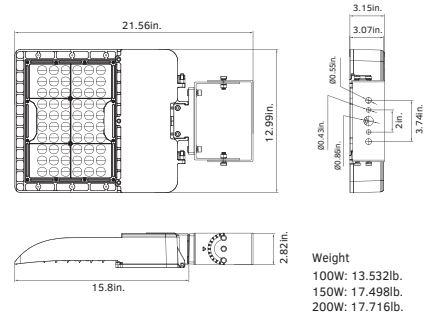
100W/150W/200W (Slipfitter Mount)



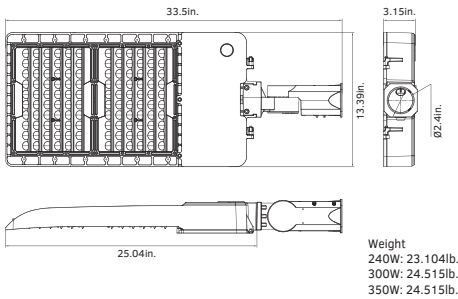
100W/150W/200W (Wall Mount)



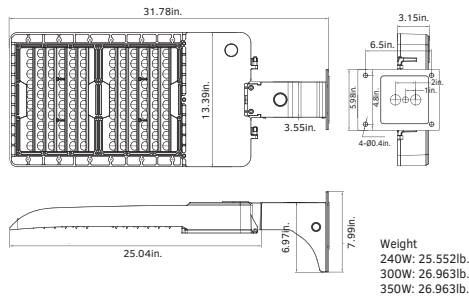
100W/150W/200W (Yoke Mount)



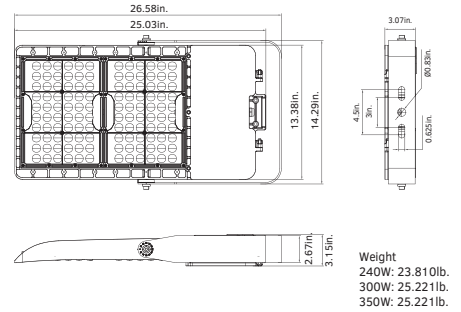
240W/300W/350W (Slipfitter Mount)



240W/300W/350W (Wall Mount)



240W/300W/350W (Trunnion Mount)



Mounting Information

Mounting Options



Slipfitter Mount

An optional cast aluminum mast arm adaptor secures fixture head to nominal 2" (2-3/8" O.D. pipe size) horizontal steel tenon arm.



Trunnion (Yoke) Mount

Die-cast trunnion can be easily adapted to many surfaces and allows for easy fixture aiming angles.



Wall Mount

Wall Mount is easy to install for direct wall mounting with 1/2" conduit wiring or standard J-box mounting.

Additional Accessories

POLE BRACKET • For mounting one fixture on an existing pole

	<p>4" Square Pole Mount with 2-3/8" O.D. Tenon NO. 4SQ-SP-D FINISH: Dark Bronze USE: For use with square, non-tapered steel and aluminum poles. Furnished with four 5/16" hex head stainless-steel bolts. Vertical tenon measures 2-3/8" O.D., and is made of steel tubing. Fixtures mounted to this bracket can be adjusted both vertically and horizontally.</p>		<p>4" Round Pole Mount with 2-3/8" O.D. Tenon NO. 4R-SP-D FINISH: Dark Bronze USE: For use with round, non-tapered steel and aluminum poles. Furnished with three 3/8" hex head stainless-steel bolts. Vertical tenon measures 2-3/8" O.D., and is made of steel tubing. Fixtures mounted to this bracket can be adjusted both vertically and horizontally.</p>
--	--	--	---

Additional Accessories

POLE BRACKET • For mounting one fixture on an existing pole			
	<p>5" Square Pole Mount with 2-3/8" O.D. Tenon NO. 5SQ-SP-D FINISH: Dark Bronze</p> <p>USE: For use with square, non-tapered steel and aluminum poles. Furnished with four 5/16" hex head stainless-steel bolts. Vertical tenon measures 2-3/8" O.D., and is made of steel tubing. Fixtures mounted to this bracket can be adjusted both vertically and horizontally.</p>		<p>5" Round Pole Mount with 2-3/8" O.D. Tenon NO. 5SQR-SP-D FINISH: Dark Bronze</p> <p>USE: For use with round, non-tapered steel and aluminum poles. Furnished with three 3/8" hex head stainless-steel bolts. Vertical tenon measures 2-3/8" O.D., and is made of steel tubing. Fixtures mounted to this bracket can be adjusted both vertically and horizontally.</p>
	<p>2-3/8" O.D. Tenon Mount Adaptor for Yoke Fixtures NO. SP-TR-D FINISH: Dark Bronze</p> <p>USE: The 2-3/8" O.D. Tenon Mount Adaptor for Yoke Fixtures is designed to mount GKOLED light fixtures that are equipped with a yoke mount onto a 2-3/8" O.D. tenon. It may be utilized with the GKOLED flood light series of light fixture.</p>		<p>Angle Adjustment Adaptor NO. SQA-ALDA FINISH: Dark Bronze</p> <p>USE: This durable bracket is engineered as a versatile mounting option. Made from die-cast aluminum, it allows for optimal positioning of the light fixture to maximize the light effectiveness both vertically and horizontally.</p>
WALL BRACKET • Attaches to any flat surface • Provides wiring access		MID-POLE TENON BRACKET	
	<p>90° Wall Mount Bracket with 2-3/8" O.D. Tenon NO. WM-SP-D FINISH: Dark Bronze</p> <p>USE: The 90° Wall Mount Bracket with 2-3/8" Tenon attaches a GKOLED flood light to almost any surface, wall, roof, or wood pole. Provides wiring access and a built-in 2-3/8" O.D. tenon to mount a fixture with our adjustable slipfitter. Suggested 3/8" diameter bolts for mounting. Mounting holes are spaced 3-1/4" apart.</p>		<p>2-3/8" O.D. Horizontal Tenon Mid-Pole Bracket NO. SQ-SP-D FINISH: Dark Bronze</p> <p>USE: The 2-3/8" O.D. Horizontal Tenon Mid-Pole Bracket is designed to mount a light fixture that is equipped with an adjustable slipfitter onto a 2-3/8" O.D. horizontal tenon.</p>
ROUND EXTERNAL MOUNT HORIZONTAL TENON • To mount 2, 3, or 4 fixtures on an existing pole			
	<p>Double 90° Horizontal Tenon Adaptor NO. R60-SP2-90-D FINISH: Dark Bronze</p> <p>USE: The Bracket is designed to mount over a 2-3/8" (60mm) O.D. vertical tenon. Two fixtures can be mounted to the Round External Mount Horizontal Tenon and adjusted horizontally.</p>		<p>Triple 120° Horizontal Tenon Adaptor NO. R60-SP3-120-D FINISH: Dark Bronze</p> <p>USE: The Bracket is designed to mount over a 2-3/8" (60mm) O.D. vertical tenon. Three fixtures can be mounted to the Round External Mount Horizontal Tenon and adjusted horizontally.</p>
	<p>Double 180° Horizontal Tenon Adaptor NO. R60-SP2-180-D FINISH: Dark Bronze</p> <p>USE: The Bracket is designed to mount over a 2-3/8" (60mm) O.D. vertical tenon. Two fixtures can be mounted to the Round External Mount Horizontal Tenon and adjusted horizontally.</p>		<p>Quad 90° Horizontal Tenon Adaptor NO. R60-SP4-90-D FINISH: Dark Bronze</p> <p>USE: The Bracket is designed to mount over a 2-3/8" (60mm) O.D. vertical tenon. Four fixtures can be mounted to the Round External Mount Horizontal Tenon and adjusted horizontally.</p>
	<p>Triple 90° Horizontal Tenon Adaptor NO. R60-SP3-90-D FINISH: Dark Bronze</p> <p>USE: The Bracket is designed to mount over a 2-3/8" (60mm) O.D. vertical tenon. Three fixtures can be mounted to the Round External Mount Horizontal Tenon and adjusted horizontally.</p>		

Ordering Information

Flat Flood Light Series GKOFDG9						Example: GKOFDG9300W27V50KBDP0B77TR		
Fixture Type	Wattage	Voltage	CCT	CRI	Finish	Photocell (Optional)	NEMA	Mounting
<input type="text"/>	<input type="text"/>	<input type="text"/>	<input type="text"/>	<input type="text"/>	<input type="text"/>	<input type="text"/>	<input type="text"/>	<input type="text"/>
GKOFDG9	100W	27V 120-277V	40K 4000K	B 70CRI	D Dark Bronze	P0 120-277V Photocell	B77 7Hx7V	TR Trunnion Mount
	150W	48V 347-480V	50K 5000K		B Black	P3 347V Photocell		SP Slipfitter Mount
	200W				W White	P4 480V Photocell		WM Wall Mount
	240W				SG Silver Gray	Blank Without Photocell		YK Yoke Mount
	300W							
	350W							

Note: Not all product variations listed on this page are DLC qualified. Visit www.designlights.org to confirm qualification.



100 E. Crossroads Pkwy. Ste. C
Bolingbrook, IL 60440
Phone: 630-793-9449
Web: www.gkoled.com