

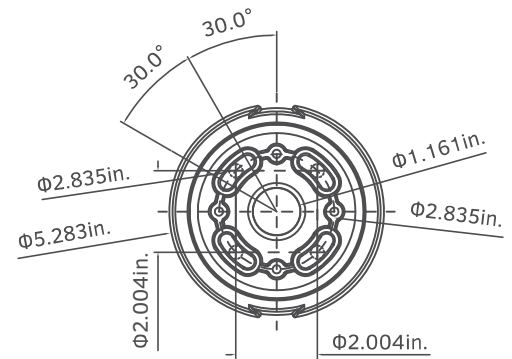
**WARNING**

**PLEASE READ ALL INSTRUCTIONS BEFORE ATTEMPTING INSTALLATION**

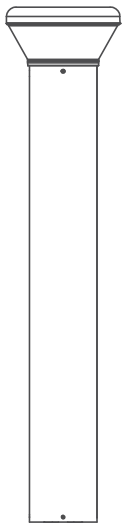
- To prevent personal injury or product damage only licensed electricians should install.
- To avoid electric shock or component damage, disconnect power before attempting installation or servicing.
- This product must be installed in accordance with the national electric code (NEC) and all applicable federal, state, and local electric codes and safety standards.
- Disconnect product and allow cooling prior to servicing.
- Any alteration or modification of this product is expressly forbidden as it may cause serious personal injury, death, property damage, and/or product malfunction.
- To prevent product malfunction an/or electrical shock this product must be properly grounded.
- This luminaire is designed to operate in ambient temperatures ranging from -40°F to 113 °F and to be horizontally mounted with the LEDs facing down.
- This product must be installed in accordance with the applicable installation code by a person familiar with the construction and operation of the product and the hazards involved.
- MIN 167°F (75°C) SUPPLY CONDUCTORS
- When configured with the emergency battery kit, the allowable ambient temperature is -50°F to 104 °F.

## Installation Guide

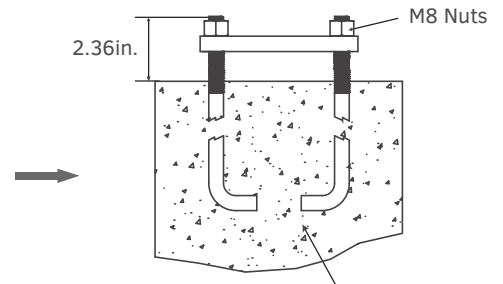
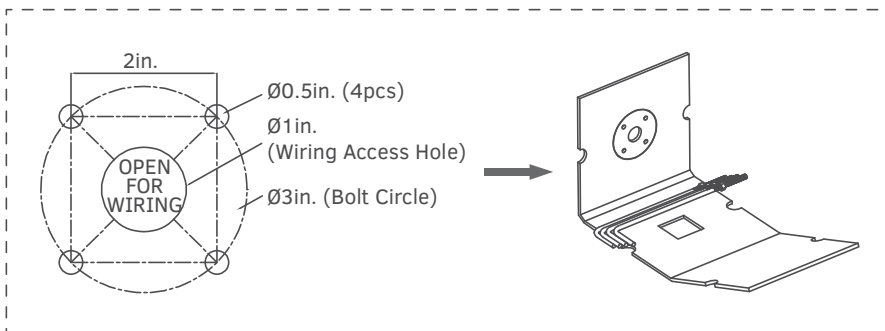
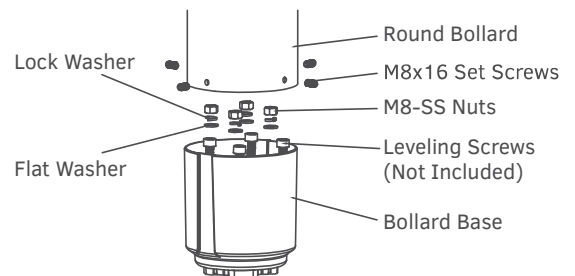
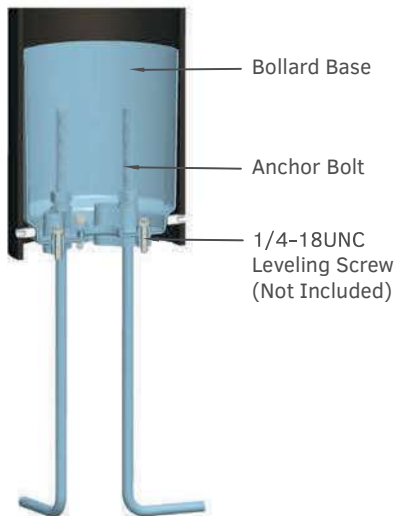
1. Verify bolt circle diameter and anchor bolt projection and use anchor bolt template to assure accuracy. Actual size anchor bolt template is on the last page of this guide.
2. Place the bollard base over the anchor bolts.
3. Loosely tighten the provided washers and nuts. Tighten all nuts and screws.
4. Be sure the supply leads extend far enough to make fixture connections. Make wiring connections as per the wiring diagram on the next page.
5. Slide the bollard into the bollard base, making sure position it properly in relation to the indentations on the sides of the base.
6. Use the four M8x16 set screws to secure the bollard to the bollard base.



Anchor Bolt Template For LED Bollard



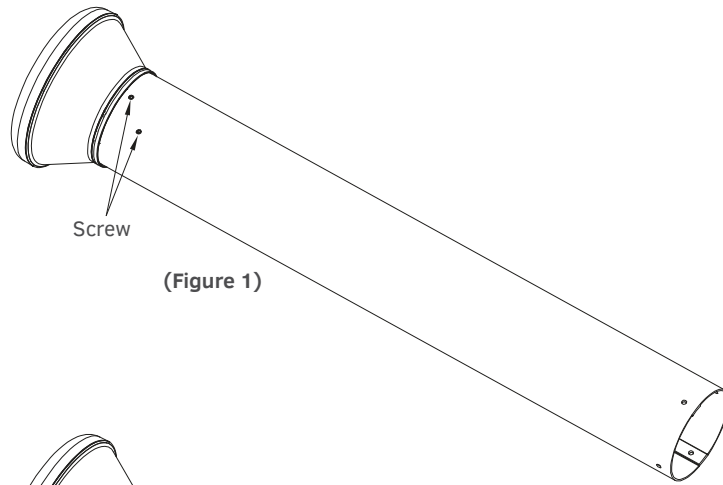
ROUND BOLLARD



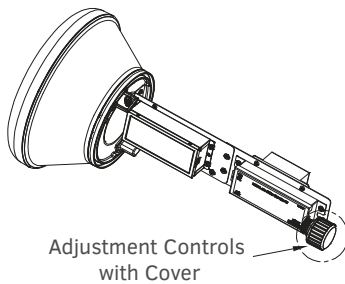
Concrete Foundation Base  
Dimensions According To Local Codes

# Power & CCT Adjustment Controls (Optional)

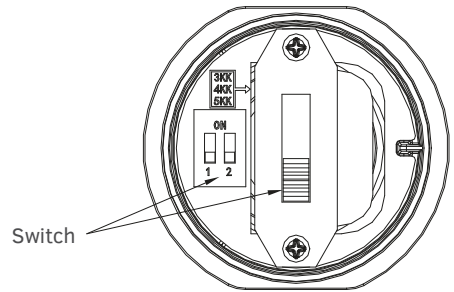
1. Unscrew the two screws at the top of the pole to remove the pole, making sure not to pull apart the input line during the process. (Figure 1)
2. Remove the cover from the Adjustment Controls, located at the bottom of the fixture head. (Figure 2)
3. To adjust Power, ensure the dimming wire is connected to the Adjustment Controls.
4. Adjust the Power and CCT, referring to the adjustment instructions. (Figure 3) (Figure 4)
5. After adjustment is complete, replace the cover on the Adjustment Controls and reinstall the fixture head onto the pole.



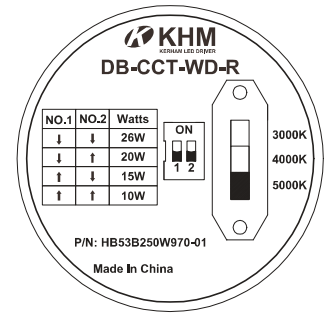
(Figure 1)



(Figure 2)



(Figure 3)



(Figure 4)

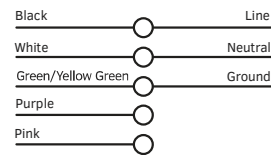
## Accessories

Mounting Type	Accessory	Specifications	Quantity
	Bollard Base	MBL0124DZ-D134H143(D)-YZ	1
	M8-SS Nut	M8-SS	4
	Anchor Bolt	MBL0124ZJ-L314WH67	4
	Flat Washer	M8-SS	4
	Lock Washer	M8-OD15ID8.5H1.4-SS	4

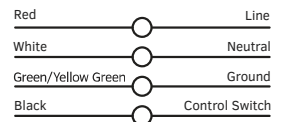
## Wiring Diagram

Note: Two dimming wires are in the driver box.

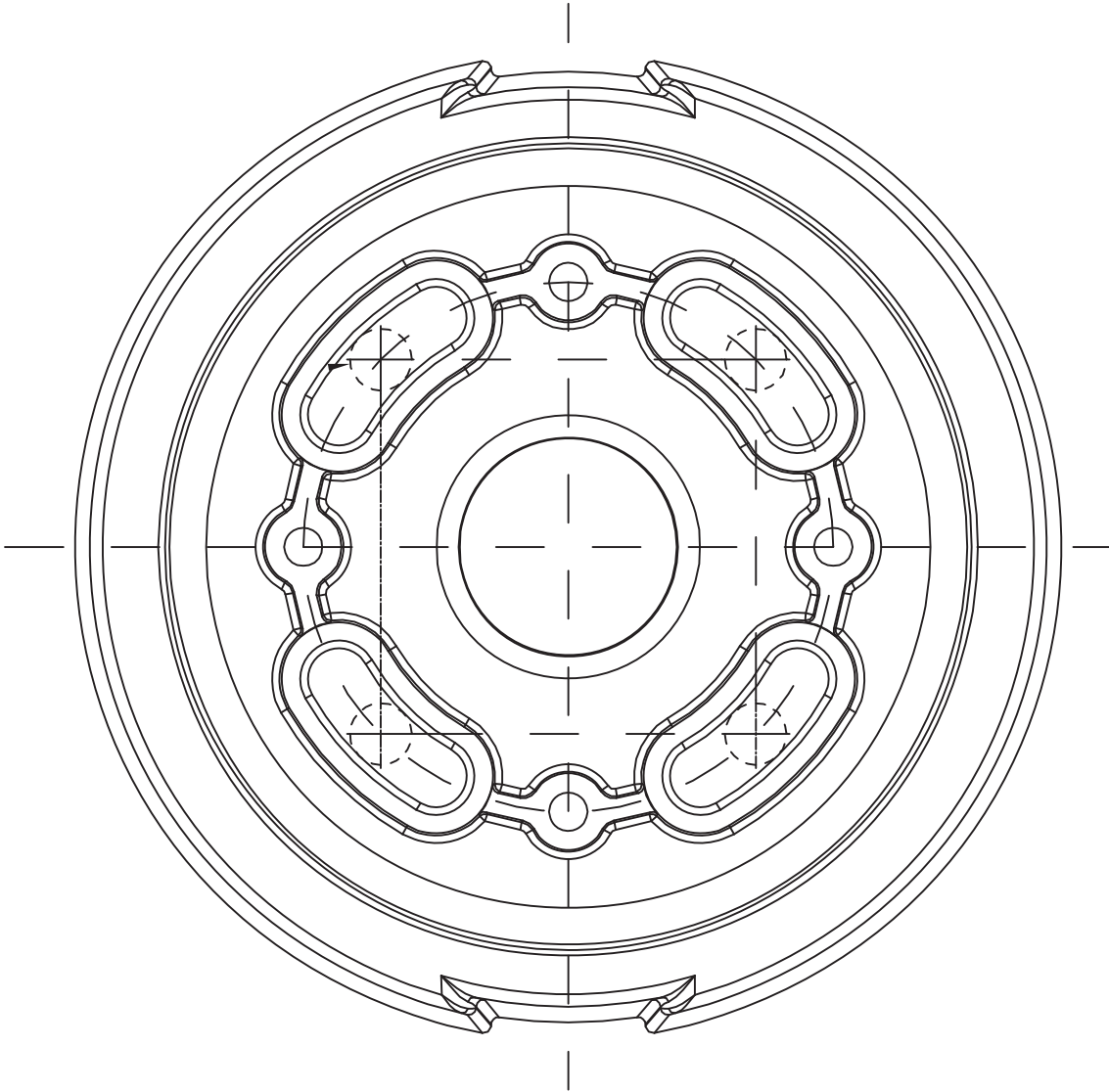
### Wire Connection



### Emergency Wire Connection



# Drilling Template



**When printing, select Print At Actual Size  
in the Print Options Window**

Measure the distance between leveling screw holes with the fixture to make  
sure correct size was printed before drilling.