

WARNING

PLEASE READ ALL INSTRUCTIONS BEFORE ATTEMPTING INSTALLATION

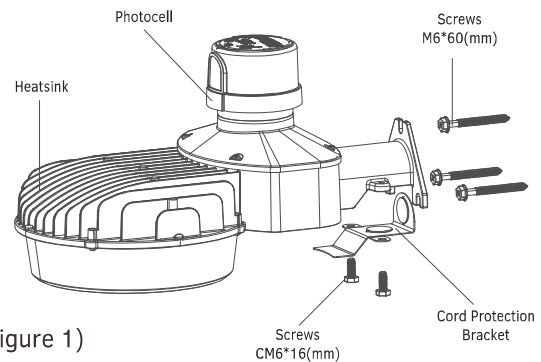
- Turn power off before inspection, installation, or removal.
- Installation should only be performed by qualified electricians or lighting technicians.
- Before conducting any installation, maintenance, or removal, disable all power to the luminaire and wait until the fixture cools down.
- Do not touch the fixture while it is in service.
- If there is any problem with the fixture, TURN OFF the power and DO NOT attempt repair unless you are a qualified technician or the customer service associate.
- This luminaire is designed to operate in ambient temperatures ranging from -40°F to 104°F (-40°C to 40°C) and to be horizontally mounted with the LEDs facing down.
- This product is not suitable for several special environments, such as places with corrosive gas liquids or high pressure water vapor.

Installation Guide

Wall Mounting - Included

1. Place the fixture's mounting bracket onto the desired mounting surface and use it to mark and drill the holes for mounting.
2. Mount the fixture using the provided M6*60mm screws. Install the two bottom screws first, then place the fixture on the two bottom screws and install the top screw. Tighten the top screw first, then tighten the two bottom screws.
3. Make wiring connections inside the fixture: White to Neutral lead, Black to Line lead, Yellow Green to Ground lead.
4. Put the cord protection bracket back on the fixture and attach it using the provided CM6*16mm screws.

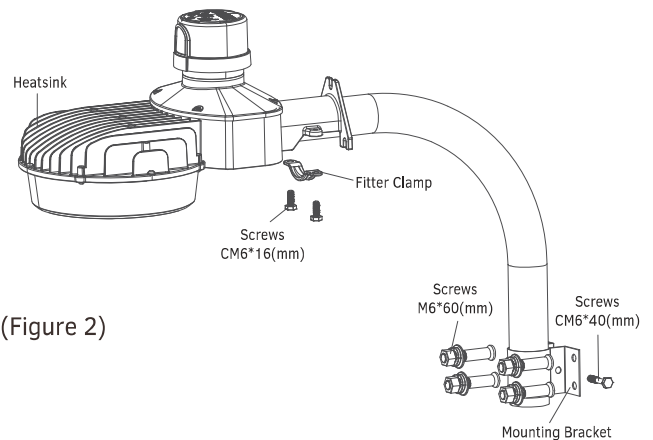
Note: Arm Mount sold separately. Fitter Clamp is included with all arm mount purchases, which is used to attach the fixture to a new or existing mounting arm. The Fitter Clamp is not used if wall mounting the fixture.



(Figure 1)

Arm Mounting (Dark Bronze) - Optional, Sold Separately

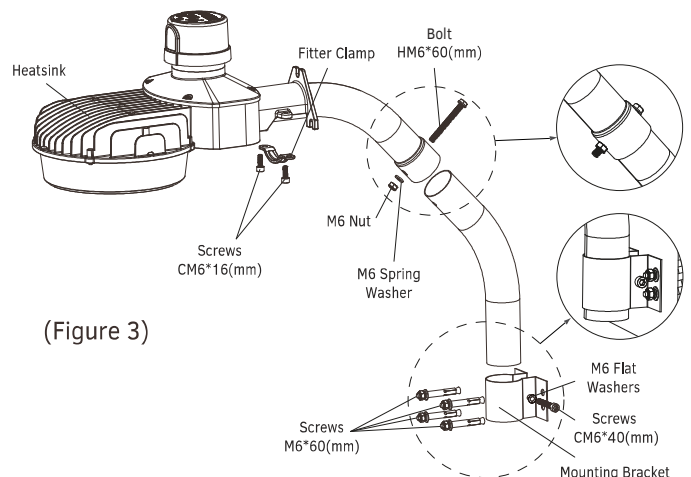
1. Feed the supply wires through the arm and make wiring connections: White to Neutral lead, Black to Line lead, Yellow Green to Ground lead.
2. Secure the fixture to the mounting arm with the provided fitter clamp and CM6*16(mm) screws.
3. Place the mounting bracket onto the desired mounting surface and use it to mark and drill the holes for mounting.
4. Attach the mounting arm to the mounting bracket and tighten the CM6*40mm screws to secure it.
5. Use the M6*60mm screws to tightly attach the mounting bracket to the desired mounting surface using the predrilled holes. Ensure that the fixture is firmly attached to the mounting surface.



(Figure 2)

Arm Mounting (Silver Gray) - Optional, Sold Separately

1. Connect the two parts of the mounting arm using the provided HM6*60 bolt, M6 nut, and M6 spring washer, as shown in Figure 3.
2. Place the mounting bracket onto the desired mounting surface and use it to mark and drill the holes for mounting.
3. Attach the mounting arm to the mounting bracket and tighten the CM6*40mm screws to secure it.
4. Use the M6*60mm screws to tightly attach the mounting bracket to the desired mounting surface using the predrilled holes. Ensure that the fixture is firmly attached to the mounting surface.
5. Feed the supply wires through the arm and make wiring connections: White to Neutral lead, Black to Line lead, Yellow Green to Ground lead.
6. Secure the fixture to the mounting arm with the provided fitter clamp and CM6*16(mm) screws.



(Figure 3)

Accessory List

Mounting Type	Accessory	Specifications	Quantity
Wall Mount (Optional)	Cord Protection Bracket	L Shape Cord Protection Bracket	1
	Screws	CM6*16-SS Stainless Steel Hexagon Flat Head Bolt	2
	Screws	M6*60 Hexagon Flanged Bottom Cross Self Tapping Screw	3
	Fitter Clamp	Slipfitter	1
Arm Mount (Sold Separately)	Bracket	Ω Shape Bracket	1
	Screws	CM6*16-SS Stainless Steel Hexagon Flat Head Bolt	2
	Screws	M6*60 Hexagon Flanged Bottom Cross Self Tapping Screw	4
	Screws	CM6*40-SS Stainless Steel Inner Hexagon Head Bolt	1
	Arm	1 5/8" Diameter	1