



### WARNING

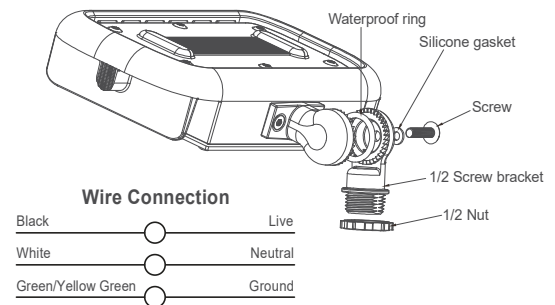
#### PLEASE READ ALL INSTRUCTIONS BEFORE ATTEMPTING INSTALLATION

- To prevent personal injury or product damage only licensed electricians should install.
- To avoid electric shock or component damage disconnect power before attempting installation or servicing.
- This product must be installed in accordance with the national electric code (NEC) and all applicable federal, state and local electric codes and safety standards.
- Disconnect product and allow cooling prior to servicing.
- Any alteration or modification of this product is expressly forbidden as it may cause serious personal injury, death, property damage and/or product malfunction.
- To prevent product malfunction and/or electrical shock this product must be properly grounded.
- LIMIT RANGE OF ADJUSTMENT TO.
- Suitable for operation in ambient temperatures ranging from -40°C to 45°C.
- This product must be installed in accordance with the applicable installation code by a person familiar with the construction and operation of the product and the hazards involved.
- In 75°C supply conductors.
- Suitable for mounting within 1.2 m (4 ft) of the ground

## Installation Guide

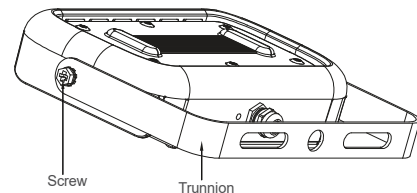
### G 1/2" Knuckle Mount (Figure 1.) optional ground stake mount pole top fitter mount

1. Mount this fixture to any metal 1/2" NPS threaded mounting (supplied by others), Please mount the fixture prior to make wiring connection.
2. Route electrical leads through the mounting hole.
3. Seal knuckle threads with sealing compound (provided by others). Secure the mounting fitter to fixture with lock nut.
4. Make wire connection (see wiring diagram above).
5. Adjust aiming angle of the fixture by loosening the pivot screw. Use visual angle indicators to set desired angle, then tighten pivot screw.



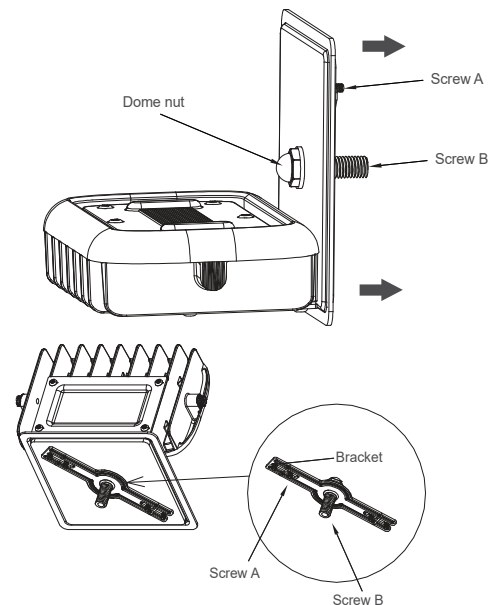
### Trunnion Mounting (Figure 2.)

1. Fix trunnion on the wall by screws.
2. Wire Live and Neutral Cable respectively. Watch out for joint point and screw them well in case of electric leakage.
3. Adjust light by loosening screws to achieve different installation angle.
4. Waterproof measurement are necessary when connecting to external power supply cord.



### 30W Wall Mount (Figure 3.)

1. Fix the bracket on the wall beforehand and tighten screw A
2. Open the electrical box, Wire Live and Neutral cable respectively. Watch out for wire joint point and screw them well in case of electric leakage.
3. Once the fixture is well fixed to the bracket, tighten the dome nut to ensure the whole fixture are firmly fixed on the wall.
4. Waterproof measurement are necessary when connecting to external power supply cord.



## TROUBLESHOOTING

1. Check that the line voltage at the fixture is correct. Refer to wiring directions.
2. Is the fixture grounded properly.
3. Be sure the photocell, if used, is functioning properly.