

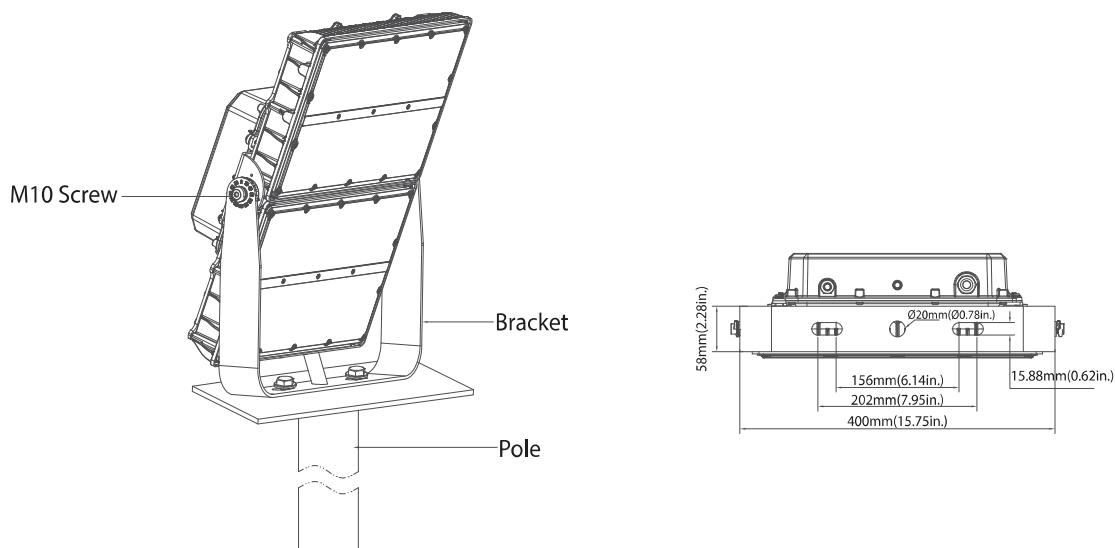
WARNING

PLEASE READ ALL INSTRUCTIONS BEFORE ATTEMPTING INSTALLATION

- To prevent personal injury or product damage only licensed electricians should install.
- To avoid electric shock or component damage disconnect power before attempting installation or servicing.
- This product must be installed in accordance with the national electric code (NEC) and all applicable federal, state and local electric codes and safety standards.
- Disconnect product and allow cooling prior to servicing.
- Any alteration or modification of this product is expressly forbidden as it may cause serious personal injury, death, property damage and/or product malfunction.
- To prevent product malfunction and/or electrical shock this product must be properly grounded.
- This luminaire is designed to operate in ambient temperatures ranging from -40°C to 40°C.
- LIMIT RANGE OF ADJUSTMENT TO.
- This product must be installed in accordance with the applicable installation code by a Person familiar with the construction and operation of the product and the hazards involved.
- In 75°C supply conductors.
- This product is not available for several special environments, such as places with corrosive gas liquids or high pressure water vapor.

Installation Guide

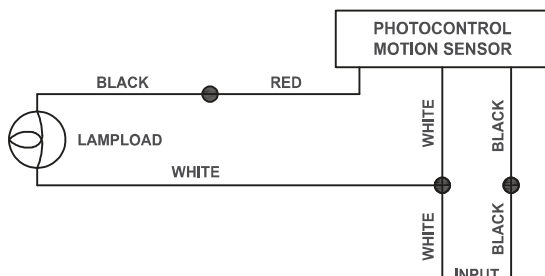
1. Secure bracket onto the pole with screws
2. Make electrical connections from the supply ground (L/N) lead to fixture ground (L/N) lead respectively, making sure to follow all National Electrical Code and all applicable local codes and ordinances
3. Loosen screw to rotate fixture to desired tilt angle
4. While making electrical connections, ensuring water does not enter fixture.
5. Installation and service of luminaires should be performed by a qualified licensed electrician.



PHOTOCELL INSTALLATION

Universal voltage driver permits operation at 120V to 277VAC, 60 Hz except fixtures factory ordered with a 120V photocell (P1) or 277V photocell (P2) or 120-277V photocell(P0).

1. Install photocell and wire as per diagram.
2. Use photocell rated for your supply voltage.



TROUBLESHOOTING

1. Check that the line voltage at the fixture is correct. Refer to wiring directions.
2. Is the fixture grounded properly.
3. Be sure the photocell, if used, is functioning properly.

WIRE CONNECTION

Black	○	Line
White	○	Neutral
Green/Yellow Green	○	Ground
Purple	○	DIM+
Pink	○	DIM-