

WARNING

PLEASE READ ALL INSTRUCTIONS BEFORE ATTEMPTING INSTALLATION

- To prevent personal injury or product damage only licensed electricians should install.
- To avoid electric shock or component damage disconnect power before attempting installation or servicing.
- This product must be installed in accordance with the national electric code (NEC) and all applicable federal, state and local electric codes and safety standards.
- Disconnect product and allow cooling prior to servicing.
- Any alteration or modification of this product is expressly forbidden as it may cause serious personal injury, death, property damage and/or product malfunction.
- To prevent product malfunction and/or electrical shock this product must be properly grounded.
- RANGE OF POWER ADJUSTMENT IS LIMITED TO 100% / 80% / 60% / 40%. RANGE OF CCT ADJUSTMENT IS LIMITED TO 3000K / 4000K / 5000K.
- This luminaire is designed to operate in ambient temperatures ranging from -40°F to 104°F (-40°C to 40°C).
- This product must be installed in accordance with the applicable installation code by a person familiar with the construction and operation of the product and the hazards involved.
- MIN 167°F (75°C) SUPPLY CONDUCTORS.
- Suitable for mounting up to 4ft (1.2m) off the ground.
- If installing product with lens facing up, ensure the lens is kept free of debris to minimize the risk of damage to the product.
- This product is not suitable for several special environments, such as places with corrosive gas liquids or high pressure water vapor.

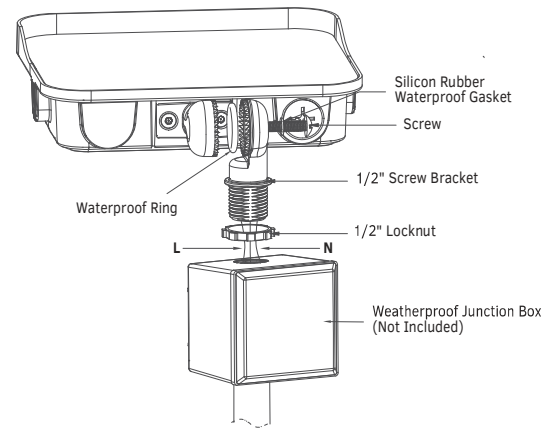
Installation Guide

1/2" NPS Knuckle Mount (Figure 1) For 15W | 27W | 40W | 65W Only

OPTIONAL: Ground Stake Mount

1. **IMPORTANT:** Installation and service of luminaire should only be performed by a qualified licensed electrician.
2. Install the fixture using the 1/2" screw bracket onto a weatherproof Junction Box (not included), and secure it using the 1/2" locknut.
3. Make electrical connections from the supply ground (L/N/GND) lead to the fixture ground (L/N/GND) lead respectively, making sure to follow all National Electrical code and all applicable codes and ordinances. Make sure water does not enter the fixture through the 1/2" fitter while making electrical connections.
4. To aim the fixture, loosen the screw on the fitter of the knuckle mount and rotate the fixture to the desired tilt angle, then retighten the screw.
5. Series GKOFDG11 Flood Lights come equipped with a photocell, which is covered by a cap by default. To activate the photocell, remove the photocell cap on the top of the fixture (See Figure 7).

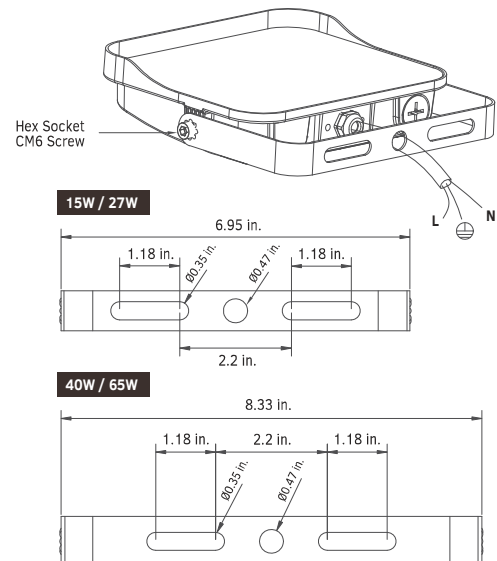
IMPORTANT: Seal the 1/2" NPS thread using waterproof silicone sealant during installation to prevent water ingress.



(Figure 1)

Trunnion Mount (Figure 2) For 15W | 27W | 40W | 65W Only

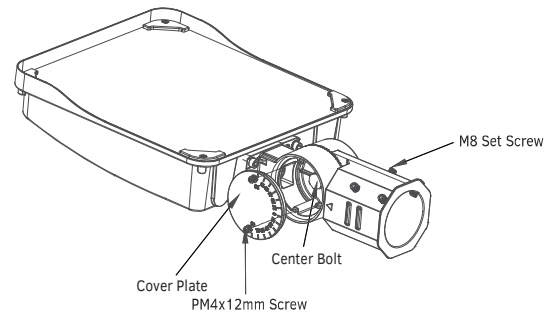
1. **IMPORTANT:** Installation and service of luminaire should only be performed by a qualified licensed electrician.
2. Mount the fixture onto the surface using the hole pattern provided on the trunnion bracket.
3. Make electrical connections from the supply ground (L/N/GND) lead to the fixture ground (L/N/GND) lead respectively, making sure to follow all National Electrical code and all applicable codes and ordinances.
4. To aim the fixture, loosen hex socket CM6 screws on the sides of the trunnion mount and rotate the fixture to the desired tilt angle, then retighten the screws.
5. Series GKOFDG11 Flood Lights come equipped with a photocell, which is covered by a cap by default. To activate the photocell, remove the photocell cap on the top of the fixture (See Figure 7).



(Figure 2)

Slipfitter Mount (Figure 3) For 90W | 120W Only

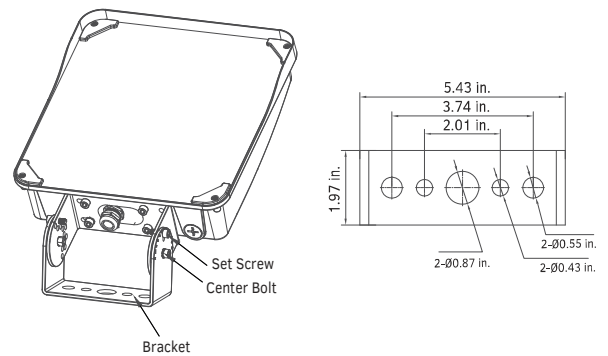
1. **IMPORTANT:** Installation and service of luminaire should only be performed by a qualified licensed electrician.
2. Make electrical connections from the supply ground (L/N/GND) lead to the fixture ground (L/N/GND) lead respectively, making sure to follow all National Electrical code and all applicable codes and ordinances.
3. To aim the fixture, remove the cover plate, loosen the center bolt, adjust the bracket to the desired angle, then tighten the center bolt and replace the cover plate.
4. Install the slipfitter bracket onto the pole and secure it using the M8 Set Screws.
5. Series GKOFDG11 Flood Lights come equipped with a photocell, which is covered by a cap by default. To activate the photocell, remove the photocell cap on the top of the fixture (See Figure 7).



(Figure 3)

Yoke Mount (Figure 4) For 90W | 120W Only

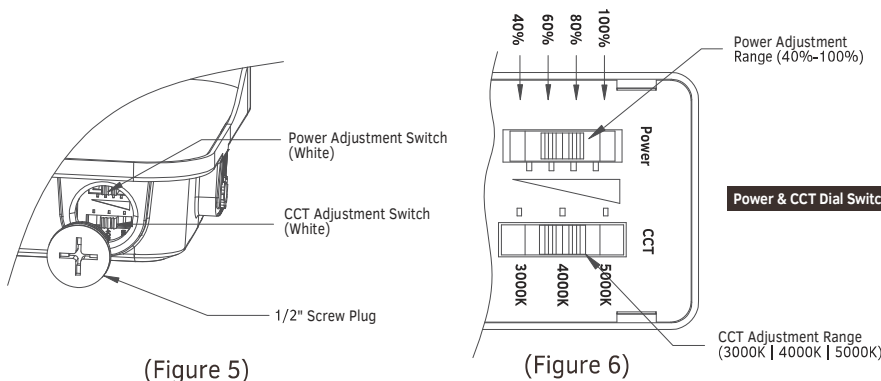
1. **IMPORTANT:** Installation and service of luminaire should only be performed by a qualified licensed electrician.
2. Make electrical connections from the supply ground (L/N/GND) lead to the fixture ground (L/N/GND) lead respectively, making sure to follow all National Electrical code and all applicable codes and ordinances.
3. Mount the fixture onto the surface using the hole pattern provided on the yoke bracket.
4. To aim the fixture, loosen the center bolts and set screws, rotate the fixture to the desired angle, then tighten the center bolts and set screws.
5. Series GKOFDG11 Flood Lights come equipped with a photocell, which is covered by a cap by default. To activate the photocell, remove the photocell cap on the top of the fixture (See Figure 7).



(Figure 4)

Power & CCT Selectable Option (Figure 5 & 6)

1. To access Power & CCT Adjustment Controls, remove the 1/2" screw plug on the bottom of the fixture.
2. Use the white switch to set Power and the black switch to set CCT to the desired settings.
3. Replace the 1/2" screw plug and tighten with a flathead screwdriver.

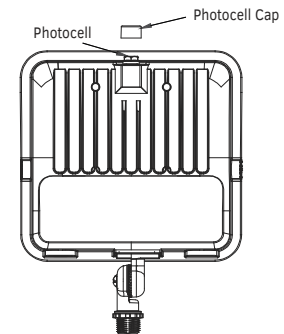


(Figure 5)

(Figure 6)

Photocell Activation (Figure 7)

1. Series GKOFDG11 Flood Lights come equipped with a photocell, which is covered by a cap by default. To activate the photocell, remove the photocell cap on the top of the fixture.



(Figure 7)

Troubleshooting

Turn off power before continuing.

1. Light does not come ON.
 - A. Check if the circuit breaker is tripped.
 - B. Confirm the wall switch is ON.
 - C. Check if the wiring to the unit is loose.
 - D. Ensure the fixture is connected to line voltage.
 - E. Confirm wiring is properly secured.
2. Light cycles ON and OFF continuously.
 - A. Check if the photocell is sensing reflected light.
3. Light stays ON.
 - A. Be sure the photocell, if used, is functioning properly.

If the light still does not work after troubleshooting, contact customer service.

Wiring Diagram

Refer to the diagram below for making electrical connections.

