

 **WARNING**

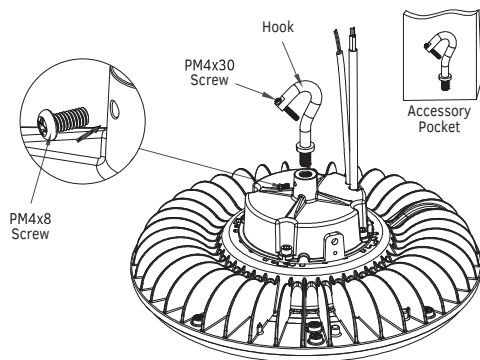
**PLEASE READ ALL INSTRUCTIONS BEFORE ATTEMPTING INSTALLATION**

- To prevent personal injury or product damage only licensed electricians should install.
- To avoid electric shock or component damage, disconnect power before attempting installation or servicing.
- This product must be installed in accordance with the national electric code (NEC) and all applicable federal, state, and local electric codes and safety standards.
- Disconnect product and allow cooling prior to servicing.
- Any alteration or modification of this product is expressly forbidden as it may cause serious personal injury, death, property damage, and/or product malfunction.
- To prevent product malfunction an/or electrical shock this product must be properly grounded.
- This luminaire is designed to operate in ambient temperatures ranging from -40°F to 113 °F and to be horizontally mounted with the LEDs facing down.
- This product must be installed in accordance with the applicable installation code by a person familiar with the construction and operation of the product and the hazards involved.
- MIN 167°F (75°C) SUPPLY CONDUCTORS
- This product is not suitable for several special environments, such as places with corrosive gas liquids or high pressure water vapor.

## Installation Guide

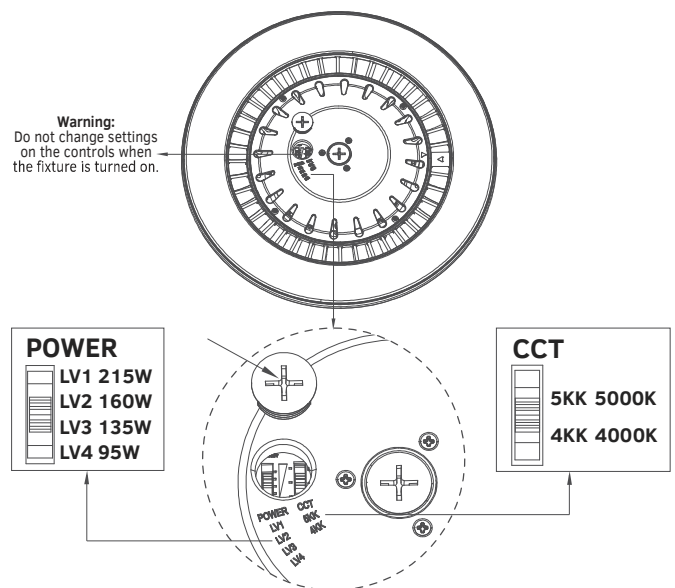
### Hook Installation - Included

1. Screw the hook into the M10\*1.5 screw hole in the fixture.
2. Tighten the PM4x8 screw on the side of the hook.
3. Make wire connections as per the wiring diagram on the next page.



### Power & CCT Adjustment Controls (Optional For 215W Only)

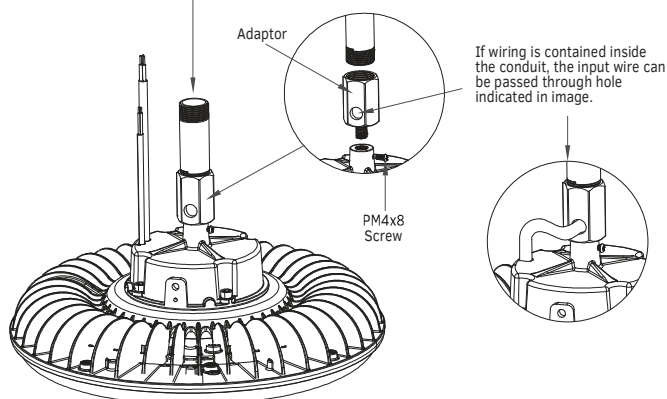
1. Remove the screw plug on the bottom of the fixture, use the dip switches to select the appropriate power and CCT (see diagram on the right), then reinstall the screw plug.



### Pendant Mounting With 3/4" Conduit - Optional (Adaptor Sold Separately, Conduit Not Included)

1. Make wire connections as per the wiring diagram on the next page.
2. Screw the conduit adaptor into the M10\*1.5 screw hole in the fixture and tighten the PM4x8 screw, then attach the conduit to the conduit adaptor.

**3/4" Conduit (Not Included)**  
 Conduit must be made of steel with a thickness greater than 2.5mm (.1in), with minimum load-bearing of the conduit thread head over 25lb.



### Wiring Diagram

LED FIXTURES	Black or Brown	Line
	White or Blue	Neutral
	Green/Yellow Green	Ground
	Purple	DIM+
	Pink	DIM-

Note: 2 dimming wires are located in external cord.