

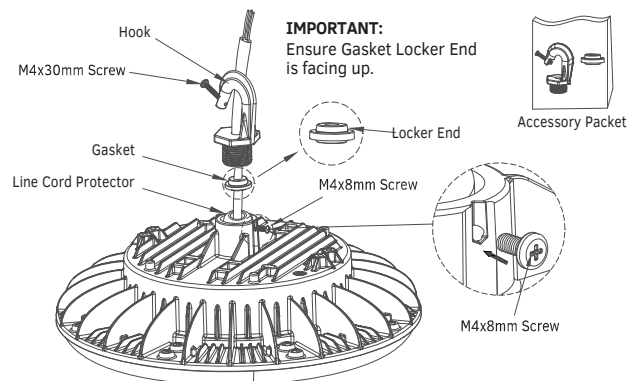

WARNING
PLEASE READ ALL INSTRUCTIONS BEFORE ATTEMPTING INSTALLATION

- To prevent personal injury or product damage only licensed electricians should install.
- To avoid electric shock or component damage, disconnect power before attempting installation or servicing.
- This product must be installed in accordance with the national electric code (NEC) and all applicable federal, state, and local electric codes and safety standards.
- Disconnect product and allow cooling prior to servicing.
- Any alteration or modification of this product is expressly forbidden as it may cause serious personal injury, death, property damage, and/or product malfunction.
- To prevent product malfunction an/or electrical shock this product must be properly grounded.
- This luminaire is designed to operate in ambient temperatures ranging from -40°F to 122 °F and to be horizontally mounted with the LEDs facing down.
- This product must be installed in accordance with the applicable installation code by a person familiar with the construction and operation of the product and the hazards involved.
- MIN 167°F (75°C) SUPPLY CONDUCTORS
- This product is not suitable for several special environments, such as places with corrosive gas liquids or high pressure water vapor.

Installation Guide

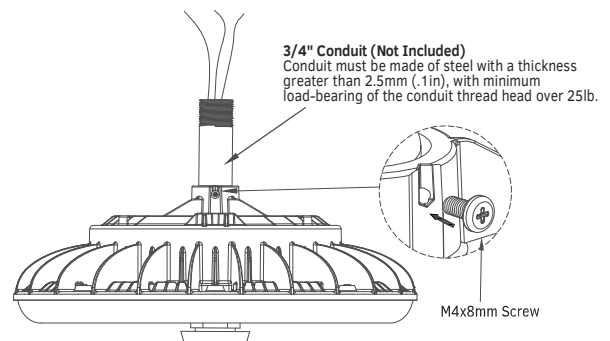
Hook Installation - Included

1. Remove the line cord protector before installing.
2. Remove the hook from the accessory packet and thread the power cord through the hole in the hook, ensuring the gasket is kept inside the 3/4" hole in the fixture for a waterproof seal.
3. Tightly thread the hook into the 3/4" hole in the fixture.
4. Attach the hook to the desired installation point, then tighten the M4x30 screw to lock it in place.
5. Make wiring connections as per the wiring diagram.



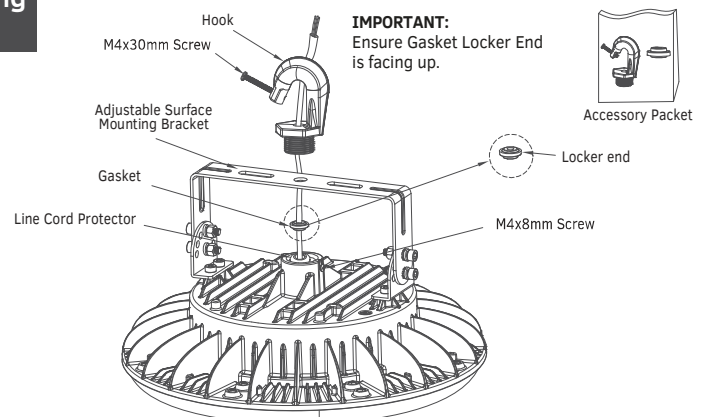
Pendant Mounting With 3/4" Conduit - Optional (Conduit Not Included)

1. Remove the line cord protector before installing.
2. Tightly thread the luminaire onto the 3/4" NPT conduit, then secure the M4x8 screw,
3. Make wiring connections as per the wiring diagram.
4. Caulk conduit openings to ensure that moisture does not enter the fixture through the 3/4" NPT conduit.
5. Use silicone rubber to ensure water does not enter the fixture through the 1/2" fitter.



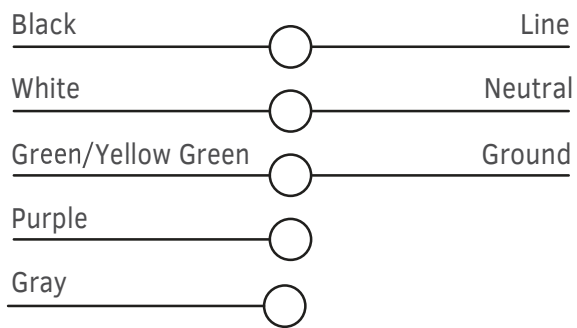
Surface Mounting With Adjustable Surface Mounting Bracket - Optional (Bracket Sold Separately)

1. Remove the line cord protector before installing.
2. Remove the hook from the accessory packet and thread the power cord through the hole in the hook, ensuring the gasket is kept inside the 3/4" hole in the fixture for a waterproof seal.
3. Tightly thread the hook into the 3/4" hole in the fixture.
4. Tighten the M4x8 screw to secure the hook.
5. Secure the mounting bracket to the surface, adjust to the desired angle, and lock the angle adjustment screw.
6. Make electrical connections according to the wiring diagram.



NOTE: When ordering fixtures with the Adjustable Surface Mounting Bracket, the bracket is pre-installed on the fixture.

Wiring Diagram



Note: Two dimming wires in the driver box.