

**! WARNING**

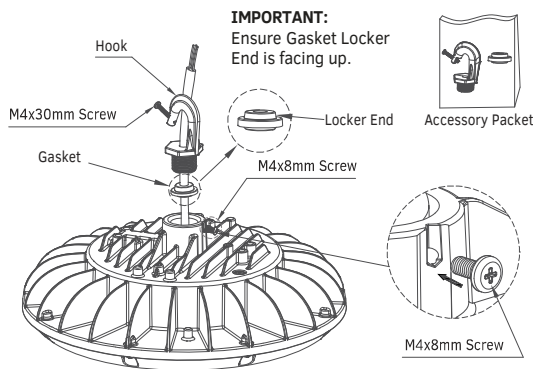
**PLEASE READ ALL INSTRUCTIONS BEFORE ATTEMPTING INSTALLATION**

- To prevent personal injury or product damage only licensed electricians should install.
- To avoid electric shock or component damage disconnect power before attempting installation or servicing.
- This product must be installed in accordance with the national electric code (NEC) and all applicable federal, state and local electric codes and safety standards.
- Disconnect product and allow cooling prior to servicing.
- Any alteration or modification of this product is expressly forbidden as it may cause serious personal injury, death, property damage and/or product malfunction.
- To prevent product malfunction and/or electrical shock this product must be properly grounded.
- This luminaire is designed to operate in ambient temperatures ranging from -40°F to 122 °F and to be horizontally mounted with the LEDs facing down.
- This product must be installed in accordance with the applicable installation code by a Person familiar with the construction and operation of the product and the hazards involved.
- MIN 167°F (75°C) SUPPLY CONDUCTORS
- This product is not suitable for several special environments, such as places with corrosive gas liquids or high pressure water vapor.

## Installation Guide

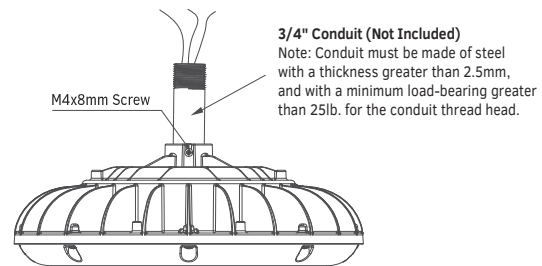
### Hook Installation - Included

1. Thread the power cord through the hole in the center of the hook and tightly screw the hook into the 3/4" hole on the top of the fixture.
2. Tighten the M4x8 screw to secure the hook.
3. Make electrical connections according to the wiring diagram.



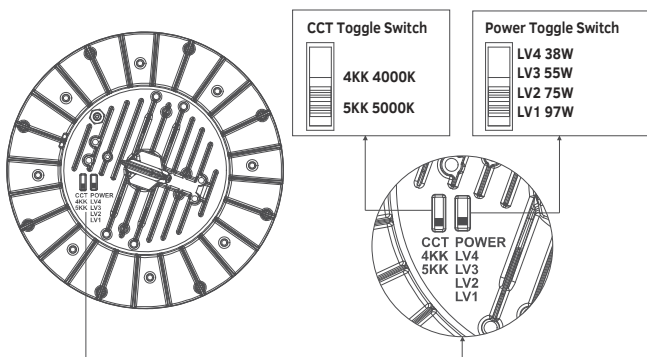
### Pendant Mounting With 3/4" Conduit - Optional (Conduit Not Included)

1. Make electrical connections according to the wiring diagram.
2. Thread the fixture onto the 3/4" NPT conduit and secure using the M4x8 screw.



### Power & CCT Adjustment Controls - Included

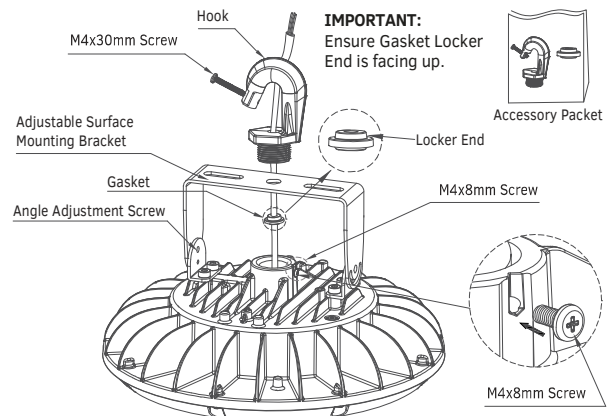
Adjust the dial switch to the desired power level and color temperature to match the application requirements, as demonstrated below:



**NOTE:** The Power & CCT Adjustment dials are located under a white rubber cover that prevents water and dust ingress. Do not remove the covers.

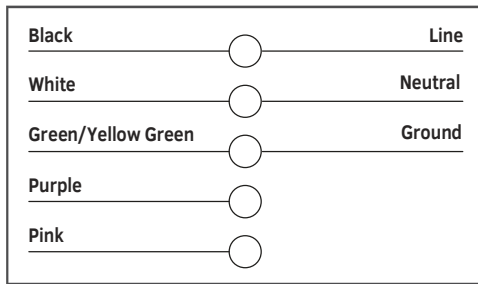
### Surface Mounting With Adjustable Surface Mounting Bracket - Optional (Bracket Sold Separately)

1. Thread the power cord through the hole in the center of the hook and tightly screw the hook into the 3/4" hole on the top of the fixture.
2. Tighten the M4x8 screw to secure the hook.
3. Secure the mounting bracket to the surface, adjust to the desired angle, and lock the angle adjustment screw.
4. Make electrical connections according to the wiring diagram.



**NOTE:** When ordering fixtures with the Adjustable Surface Mounting Bracket, the bracket is pre-installed on the fixture.

## Wiring Diagram



Note: 2 dimming wires are in the driver box.