

WARNING

PLEASE READ ALL INSTRUCTIONS BEFORE ATTEMPTING INSTALLATION

- All electrical work must conform to the National Electric Code (NEC) and all applicable local codes and ordinances.
- Only qualified personnel shall install and maintain the luminaires. GKOLED® recommends that a licensed electrician install and maintain the luminaire. Verify the safety of existing power distribution system before beginning installation. FAILURE TO FOLLOW OPERATING INSTRUCTIONS MAY LEAD TO DEATH, SEVERE INJURY, OR PROPERTY DAMAGE.
- Fixtures must be grounded and installed in accordance with the National Electric Code (NEC) and all local codes. If you are not sure if your power system is grounded, DO NOT install the luminaire. Contact a licensed electrician for information on proper grounding methods as required by the electrical code. FAILURE TO FOLLOW THIS WARNING MAY LEAD TO DEATH, SEVERE INJURY, OR PROPERTY DAMAGE.
- Turn off power and allow to cool before performing any electrical or control work. FAILURE TO FOLLOW THIS WARNING MAY LEAD TO DEATH, SEVERE INJURY, OR PROPERTY DAMAGE.
- DO NOT make or alter any open holes in the luminaire. Do not modify the luminaire.
- Risk of eye injury! Eye protection is required at all times during the installation, operation, and maintenance of the luminaire. The high intensity light produced by the luminaire can cause severe damage to the eye if viewed directly at close range. Avoid being in front of a luminaire that is on or wear suitable light blocking protective eyewear such as welding goggles. The luminaire should be positioned so that prolonged staring into the luminaire at a distance closer than 32ft (10m) is not expected.
- NEVER point the laser aiming sight at any person or animal as it can cause permanent damage to the eyes. Use the laser aiming sight only for aiming fixtures as directed.
- CAUTION - RISK OF FIRE.
- This product is not suitable for several special environments, such as places with corrosive gas liquids or high pressure water vapor.
- This luminaire is designed to operate in ambient temperatures ranging from -40°F to 131°F (-40°F to 55°F).

CAUTION WHEN USING THE LASER AIMING SIGHT

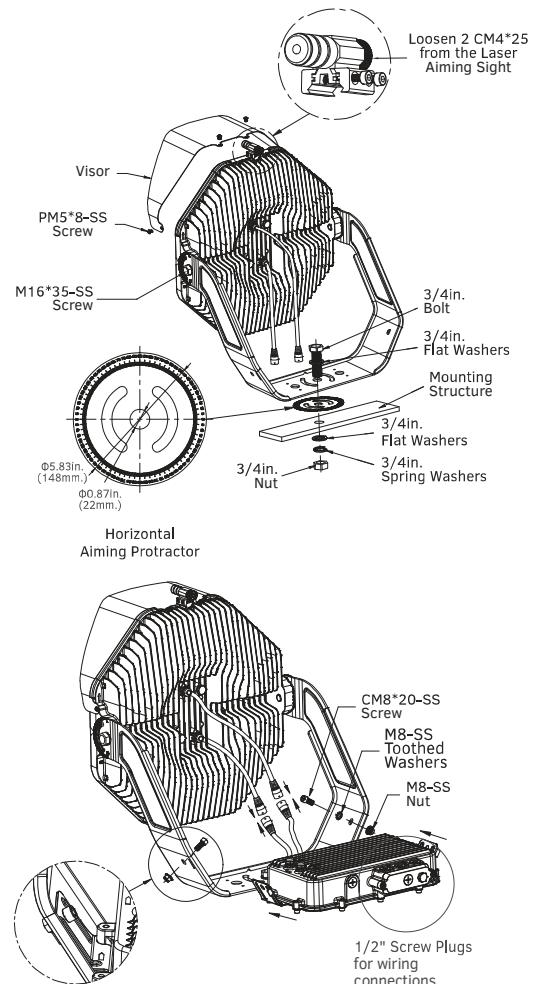


Never look directly into the laser beam.

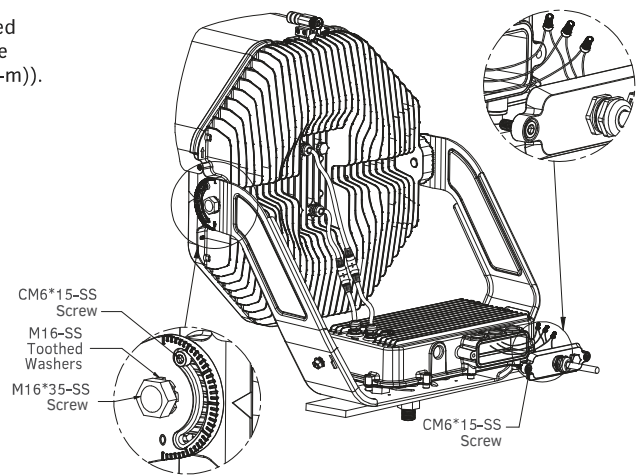
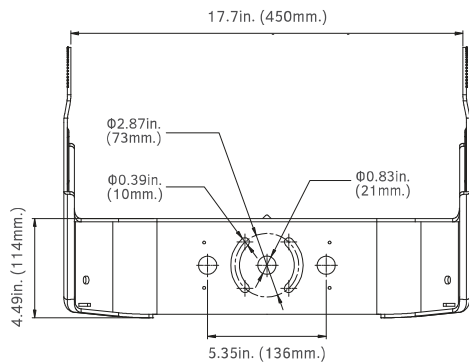
Installation Guide (Default)

Installation and service of luminaires should only be performed by a qualified licensed electrician.

1. Secure the visor onto the top of the fixture with four PM5*8-SS screws (30-45 in-lbf (3.5 to 5 N-m)).
2. Loosen the two CM4*25 screws from the laser aiming sight, place the laser aiming sight in the keyhole slots at the top of the fixture and tighten the two CM4*25 screws (30-45 in-lbf (3.5 to 5 N-m)).
3. Drill a knockout on the mounting structure using the size of the knockout on the mounting bracket as a guide.
4. Align the center hole of the horizontal aiming protractor and the mounting bracket and attach the horizontal aiming protractor to the mounting structure.
5. Align the knockout in the mounting bracket to the knockout previously made in the mounting structure and install the 3/4in. bolt, 3/4in. flat washers, 3/4in. spring washer, and 3/4in. nut to securely fasten the fixture mounting bracket to the mounting structure as shown in the diagram. (58.5 N-m). Do not fully tighten the hardware until the fixture is aimed to the desired angle, just make sure the fixture is secure.
6. Slightly loosen the fixture aiming screws on the side of the mounting bracket just enough to allow the fixture to rotate and tilt. Use the horizontal aiming protractor and laser aiming sight to aim the fixture according to specific lighting requirements. After aiming is complete, tighten the M16*35-SS screws on the sides of the fixture (43.8 N-m) and all other bolts and screws including hex screws (26-33 ft-lbf (35 to 45 N-m)) and CM16*15-SS set screws (7.9 N-m) on the side of the fixture, as well as the mounting hardware.
7. Set the driver box on the mounting bracket so that the screw holes on the sides of the driver box align with the mounting holes on the bracket, ensuring the side with the driver output cables is facing up. Install the two CM8*20 screws, washers, and nuts to securely fasten the driver box to the mounting bracket (35-75 in-lbs (4-8 N-m)). Ensure that the driver box being installed on the light head matches the power configuration (wattage and voltage) of the light head. DO NOT install the driver box on a light head with a different power configuration. Failure to properly match the driver box and light head can damage the fixture.
8. Connect the output cables from the driver box to the light engine cables from the light head through the waterproof connectors. Insert the the two parts of the connectors together and tighten the screw, making sure that the seal is water-tight.
9. Remove one of the indicated 1/2" screw plugs from the back of the driver box, then remove the driver box cover, pass the input wire trough the cover making sure to use a sufficiently long wire, and secure it with a metal waterproof connector (not included). Make all necessary wiring connections according to the wiring diagram on the last page, making sure to observe proper voltage and polarity.



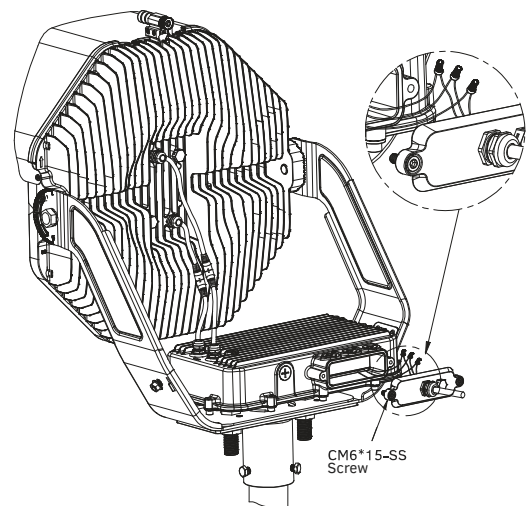
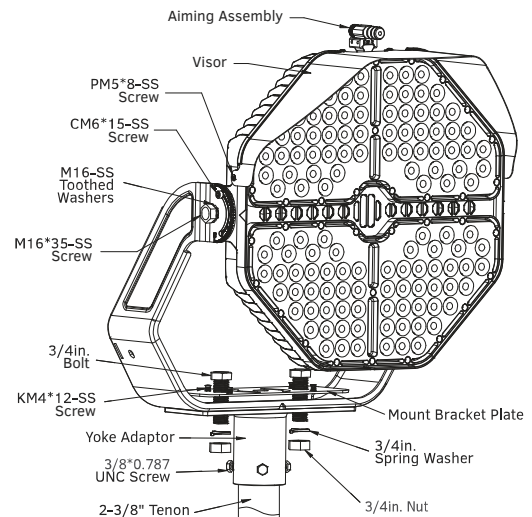
- Make sure that all wires are securely connected and that there are no exposed conductors, then carefully push the wires into the driver box making sure the wires do not get pinched. Reinstall the driver box cover (35-75 in-lbf (4-8 N-m)).



Installation Guide (With Trunnion Adaptor)

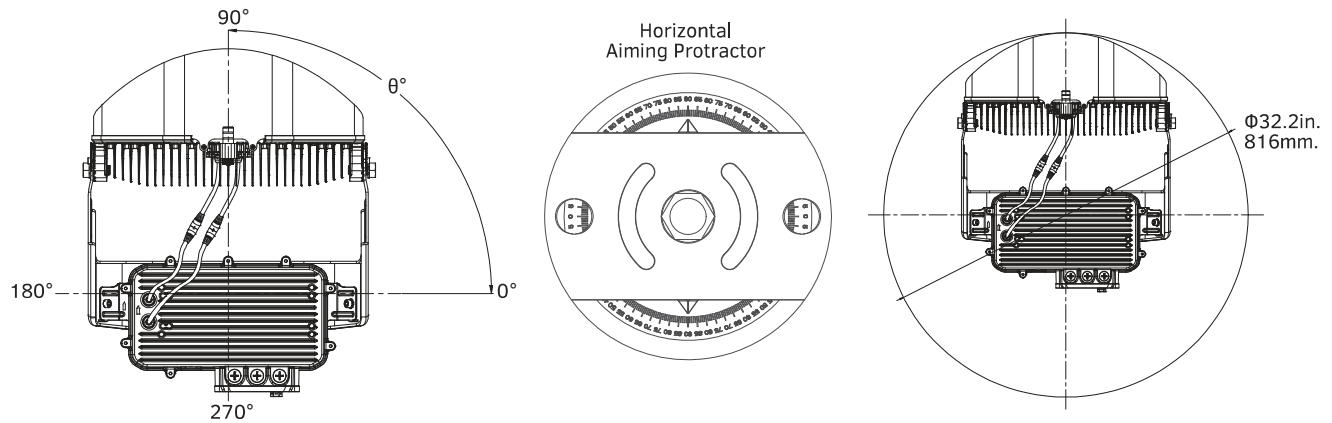
Installation and service of luminaires should only be performed by a qualified licensed electrician.

- Secure the mount bracket plate on the mounting bracket with four KM4*12-SS screws (30-45 in-lbf (3.5 to 5 N-m)).
- Secure the visor onto the top of the fixture with four PM5*8-SS screws (30-45 in-lbf (3.5 to 5 N-m)).
- Secure the trunnion adaptor on the mounting bracket with two 3/4in. bolts, spring washers, and nuts (35-45 ft-lbf (47 to 60 N-m)), put the trunnion adaptor on top of the 2-3/8" tenon, and lock it with the three 3/8 x 0.787 screws (17.7 N-m).
- Loosen the two CM4*25 screws from the laser aiming sight, place the laser aiming sight in the keyhole slots at the top of the fixture and tighten the two CM4*25 screws (30-45 in-lbf (3.5 to 5 N-m)).
- Slightly loosen the fixture aiming screws on the side of the mounting bracket just enough to allow the fixture to rotate and tilt. Use the horizontal aiming protractor and laser aiming sight to aim the fixture according to specific lighting requirements. After aiming is complete, tighten the M16*35-SS screws on the sides of the fixture (43.8 N-m) and all other bolts and screws including hex screws (26-33 ft-lbf (35 to 45 N-m)) and CM16*15-SS set screws (7.9 N-m) on the side of the fixture, as well as the mounting hardware.
- Set the driver box on the mounting bracket so that the screw holes on the sides of the driver box align with the mounting holes on the bracket, ensuring the side with the driver output cables is facing up. Install the two CM8*20 screws, washers, and nuts to securely fasten the driver box to the mounting bracket (35-75 in-lbs (4-8 N-m)). Ensure that the driver box being installed on the light head matches the power configuration (wattage and voltage) of the light head. **DO NOT** install the driver box on a light head with a different power configuration. Failure to properly match the driver box and light head can damage the fixture.
- Connect the output cables from the driver box to the light engine cables from the light head through the waterproof connectors. Insert the the two parts of the connectors together and tighten the screw, making sure that the seal is water-tight.
- Remove one of the indicated 1/2" screw plugs from the back of the driver box, then remove the driver box cover, pass the input wire trough the cover making sure to use a sufficiently long wire, and secure it with a metal waterproof connector (not included). Make all necessary wiring connections according to the wiring diagram on the last page, making sure to observe proper voltage and polarity.
- Make sure that all wires are securely connected and that there are no exposed conductors, then carefully push the wires into the driver box making sure the wires do not get pinched. Reinstall the driver box cover (35-75 in-lbf (4-8 N-m)).

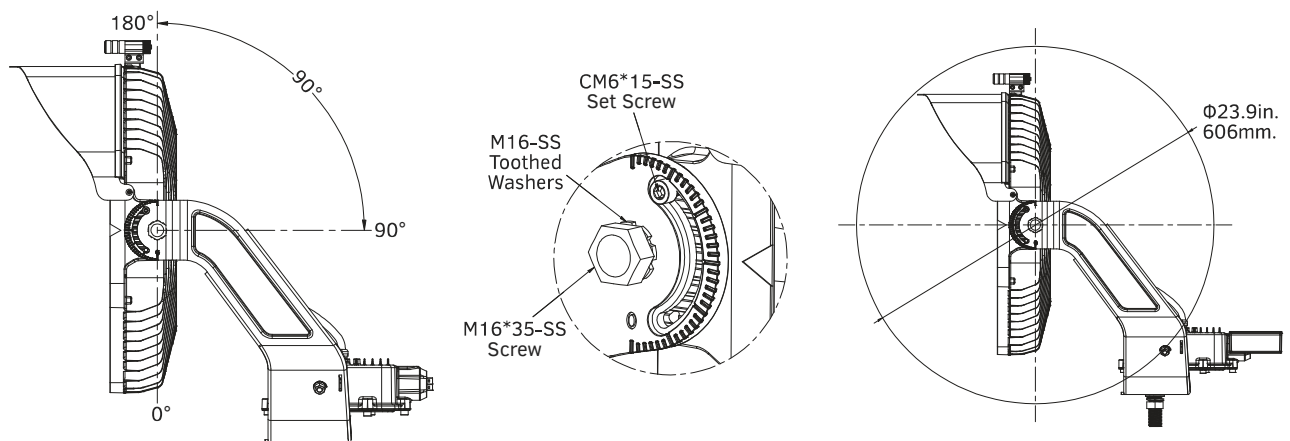


Orient & Tilt Angles

The Orient Angle refers to the direction the fixture faces in the z-plane. Mount the fixture on the mounting structure, but keep the mounting nut slightly loosened so that the entire fixture can spin about the mounting bolt. The luminaire Orient Angle may be set by rotating the fixture mounting bracket relative to the mounting structure. The horizontal aiming protractor is used to finetune the Orient Angle.



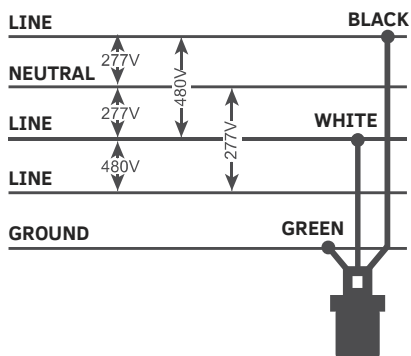
The Tilt Angle refers to the direction the fixture faces in the y-plane. When the luminaire is securely mounted on the mounting structure so that the mounting bracket does not move, loosen the side M16*35-SS screws and the CM6*15-SS set screws to rotate the fixture vertically in the mounting bracket. The Tilt Angle of the fixture may be set by rotating the fixture housing relative to the fixture mounting bracket. The laser aiming sight is used to finetune the Tilt Angle.



Electrical Connections

Power Wiring Connections

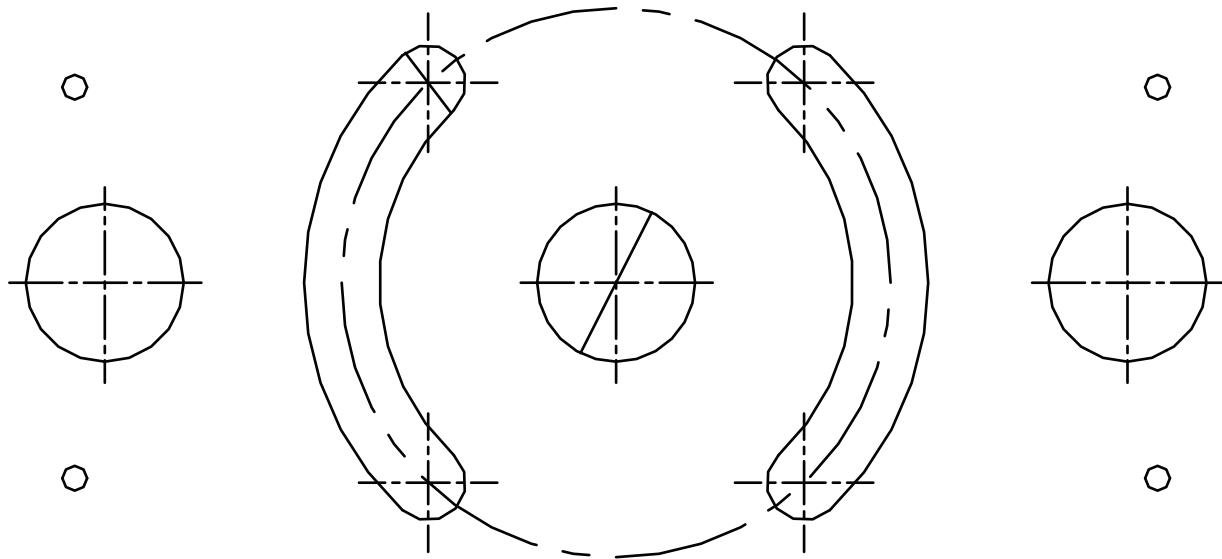
3-Phase Non-Grounding: 3Ø 277/480V



Accessories List

Diagram	Quantity	Diagram	Quantity
Battery 	3 Pcs.	3/4in. Bolt 	1 Pc.
Laser Aiming Assembly 	1 Set (Two Parts, Aiming Head, and Cover)	3/4in. Flat Washers 	2 Pcs.
Hexagon Key 	2 Pcs.	3/4in. Spring Washer 	1 Pc.
PM5*8 Screws 	4 Pcs.	3/4in. Nut 	1 Pc.
Horizontal Aiming Protractor			1 Pc.

Drilling Template



**When printing, select Print At Actual Size
in the Print Options Window**

Measure the distance between leveling screw holes with the fixture to make
sure correct size was printed before drilling.