

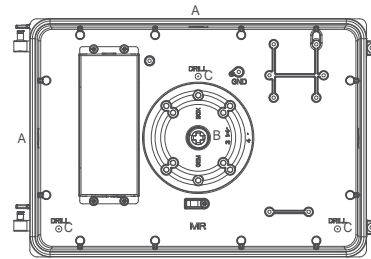
**WARNING**

**PLEASE READ ALL INSTRUCTIONS BEFORE ATTEMPTING INSTALLATION**

- To prevent personal injury or product damage only licensed electricians should install.
- To avoid electric shock or component damage disconnect power before attempting installation or servicing.
- This product must be installed in accordance with the national electric code (NEC) and all applicable federal, state and local electric codes and safety standards.
- Disconnect product and allow cooling prior to servicing.
- Any alteration or modification of this product is expressly forbidden as it may cause serious personal injury, death, property damage and/or product malfunction.
- To prevent product malfunction and/or electrical shock this product must be properly grounded.
- This luminaire is designed to operate in ambient temperatures ranging from -40°F to 113°F (-40°C to 45°C) and to be horizontally mounted with the LEDs facing down.
- Wall mount only.
- This product is not available for several special environments, such as places with corrosive gas liquids or high pressure water vapor.

## 1. Junction Box Mounting

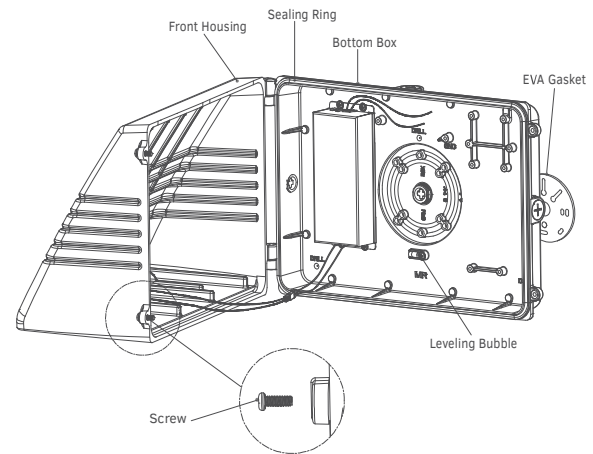
1. Loosen screws and remove the front lens set carefully from the back plate.
2. Drill appropriate knockouts (B) for wiring, the fixture supports standard 3 1/4" and 4" Junction Box.
3. Attach the back plate on the wall, use the supplied gaskets for a weather tight seal.
4. Finish wiring (Black for Line, White for Neutral and Yellow Green for Ground).
5. Replace the lens set on the hinges, make connections and close the lens set then tighten the screws.



- A - 1/2" NPS Tapped Holes (surface conduit or photo control)
- B - 1/2" dia. Screw Hole
- C - 5/16" dia. Screw Hole

## 2. Conduit Mounting

1. Loosen screws and remove the front lens set carefully from the back plate.
2. Remove 1/2" plug from where you intend to feed conduit.
3. Drill out the holes (C) to secure the fixture on the wall with proper screws.
4. Finish wiring (Black for Line, White for Neutral and Yellow Green for Ground).
5. Replace the lens set on the hinges, make connections and close the lens set then tighten the screws.

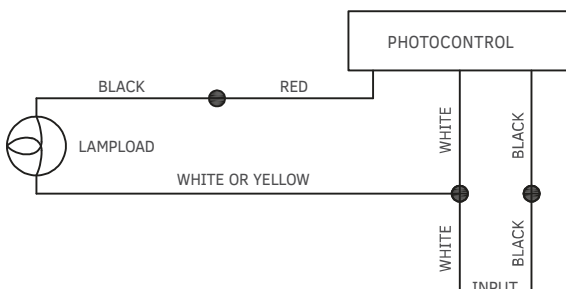


To ensure waterproof seal, Teflon tape should be placed on the threads at the conduit entry point to prevent water entry, as well as weatherproof silicone sealant applied around the edge of the wall mounting box and/or junction box. This is especially important with an uneven wall surface. Silicone all plugs and unused conduit entries.

## PHOTOCELL INSTALLATION

Universal voltage driver permits operation at 60 Hz except fixtures factory ordered with a 120-277VAC (P0) or 347VAC photocell (P3).

1. Install photocell and wire as per diagram.
2. Use photocell rated for your supply voltage.



## TROUBLESHOOTING

1. Check that the line voltage at the fixture is correct. Refer to wiring directions.
2. Check that the fixture is grounded properly.
3. Be sure the photocell, if used, is functioning properly.

## WIRING DIAGRAM

For 1-10V dimming version, please check wiring diagram below.

