

Commercial LED Lighting

100 E. Crossroads Pkwy. Ste. C
Bolingbrook, IL 60440
630-793-9449
www.gkoled.com



**QUALITY LED LIGHTING SOLUTIONS.
GREAT CUSTOMER SERVICE.
PROUDLY BASED IN CHICAGO.**

TABLE OF CONTENTS

GENERAL INFORMATION

About Us	2	Product Warranty / Place Your Order	57
Why Choose GKOLED®	3	Shipping Information	58
Bluetooth Networked Controls	4		

OUTDOOR FIXTURES

Area Light - GKOALG5	6
Area Light - GKOALG8	8
Area Light - GKOALG6	10
Flat Flood Light - GKOFDG9	12
Wall & Pole Brackets	14
Tenon Adaptors	15
Mounting Kits	16
Area Light Mounting Heights	17
Flood Light - GKOFDG11	18
Flood Light - GKOFD08	20
Sports Light - GKOSLG2	23
Wall Mount - GKOWM01	24
Non-Cutoff Wall Pack - GKOWP08	25
Full Cutoff Wall Pack - GKOWPG2	26
Full Cutoff Wall Pack - GKOWPG15	27
Dusk To Dawn - GKODDG5	28
Bollard Light - GKOBL01	29
Mini Flood Light - GKOFD03	30
Spotlight - GKOFR01	31

INDOOR FIXTURES

LED Panel - GKOPLG2	32
LED Troffer - GKOTRG1	34
Linear High Bay - GKOMLHG7	36
High Bay Mounting Heights	39
Linear High Bay - GKOMLHG6	40
Linear High Bay - GKOMLHG4	42
Circular High Bay - GKOHB02	45
Circular High Bay - GKOHB04	46
Circular High Bay - GKOHB05	47
Circular High Bay - GKOHB06	48
Circular High Bay - GKOHBG8	50
Vapor Tight Linear - GKOVTG4	52
Linear Fixture - GKOLFG2	53
Circular Canopy Light - GKOCPO3	54
Square Canopy Light - GKOCPO5	55
Post Top Light - GKOPT01	56



DLC NLC qualified Networked Controls on a Bluetooth SIG Mesh Network operated with iOS and web.

Bluetooth Networked Controls	4	Linear High Bay - GKOMLHG6	40
Area Lights - GKOALG8	8	Linear High Bay - GKOMLHG4	42
LED Panels - GKOPLG2	32	Circular High Bay - GKOHB05	47
LED Troffer - GKOTRG1	34	Circular High Bay - GKOHB06	48
Linear High Bay - GKOMLHG7	36	Circular High Bay - GKOHBG8	50



ABOUT US

We are a customer focused, Chicago based LED lighting wholesaler providing high-quality lighting, designed and manufactured by industry experts.

GKOLED® offers innovative, efficient, and user-friendly LED lighting options, thoughtfully created by light designers and engineers with over a decade of experience. Our experts work to continuously improve and expand the products we offer our customers. We emphasize affordable pricing, without compromising on quality. GKOLED® fixtures are UL and DLC Listed, a result of thorough product design and use of the latest available LED technology. Additionally, each light is accompanied by a 5-year or 10-year limited warranty, giving you peace of mind in your lighting investment.

In addition to the high quality of our products, we take pride in our commitment to provide the highest level of customer service. From hand delivering products in emergency situations to working with our engineers to find solutions for unique customer problems, our top priority is to provide you with the best customer experience in the industry. We utilize a small company approach, actively listening to feedback, looking for ways to help our customers be more successful, and creating relationships built on trust and reliability.

Our headquarters is conveniently located in Bolingbrook, IL, a Southwestern suburb of one of the nation's key logistics regions, Chicago. Place an order with us, and it will be shipped out by the next business day. We utilize well-known, reliable shipping companies to ensure deliveries are received on time and on schedule. Let us make your next lighting project a success!

WHY CHOOSE GKOLED®?

High-Quality Product

GKOLED® products are manufactured using top-of-the-line components, and are UL and DLC Listed. They undergo strict quality control and are lab-tested and approved, ensuring you receive the highest quality product.

Free Shipping

We appreciate your business, so on orders over \$1000, we offer our customers free shipping anywhere in the United States (some exceptions apply). Additionally, our sales representatives diligently keep track of your shipments every step of the way and answer all questions immediately.

5 or 10-Year Limited Warranty

All GKOLED® products are covered by a 5-year or 10-year limited warranty, as indicated. Our claim process is quick and simple – if there is an issue with one of our products, we will make it right.

Great Customer Service

We pride ourselves on our team's desire to go the extra mile for our customers and our ability to create unique solutions for customers with complicated projects. We also know your time is valuable, so we ensure quick turnaround times for all quotes and inquiries.

Extensive Chicago Stock

With our headquarters and extensive stock conveniently located near Chicago, GKOLED® products are always within reach. We also carry a wide variety of mounting options and accessories such as motion sensors and photocells, so we can meet all of our customers' needs.

Energy Efficient & Rebate Compliant

In addition to energy savings provided by the efficiency of our LED products, GKOLED® light fixtures are designed to meet the requirements of many national energy rebate programs.

BLUETOOTH NETWORKED CONTROLS



DLC NLC qualified Networked Controls on a Bluetooth SIG Mesh Network operated with iOS, Android, and web.

Our most popular fixtures are now available with optional Bluetooth Networked Controls. GKOLED® controls are reliable, easy to use, and cost-effective, allowing the lighting professional and end user to easily program and control groups of lights for automatic behavior.

Reliable

Our Bluetooth Networked Controls are DLC NLC qualified, meeting the stringent DLC 5.0 standards for cybersecurity and interoperability. They are fully tested with each product for which they are offered before being brought to market.

Easy To Use

The app used to set up and commission the lights is intuitive and user-friendly, and accessible from any location on a computer or iOS/Android mobile device with an internet connection.

Cost-Effective

There are no additional fees or subscription costs beyond the initial price for the smart control hardware. The operating app is automatically included with the controls.

HOW DOES IT WORK?

GKOLED® Networked Controls allow the lighting professional to completely customize a lighting solution for each new project. Fixtures are linked together into a Bluetooth Mesh Network using Controllers, installed on each fixture or wired into the junction box, which allows them to be programmed and controlled as a group.

- 1 Initial project setup is available via a computer web browser or a mobile app, with advanced controls accessible from the web browser. This may be done on or off site.
- 2 Connecting the lights or "commissioning" is done on location on the mobile app, accessible from an iOS or Android mobile device.

Certifications & Technology

CAPABILITIES

GKOLED® Networked Controls allow you to link multiple fixtures and program them for a range of advanced behavior.

- Occupancy Sensor**
Adjusts the light output of all linked fixtures to a pre-defined level when motion is sensed in the area.
- Scheduling**
The light control settings are programmed based on time and day of the week using In-Node Scheduling.



Grouping
Multiple fixtures are linked together as a "zone" which are linked together as an "area", allowing lights to react and behave the same way.



0-10V Dimming
Allows customized lighting outputs that can be integrated with occupancy or scheduling.



Security Lighting
Fixtures can be continuously lit for security lighting, even when all other lights are off.

COMPATIBILITY

SERIES GKOALG8 P. 8
AREA LIGHTS

SERIES GKOPLG2 P. 32
LED PANELS

SERIES GKOTRG1 P. 34
LED TROFFERS

SERIES GKOMLHG7 P. 36
LINEAR HIGH BAYS

SERIES GKOMLHG6 P. 40
LINEAR HIGH BAYS
210W ONLY

SERIES GKOMLHG4 P. 42
LINEAR HIGH BAYS

SERIES GKOHBG8 P. 50
CIRCULAR HIGH BAYS

SERIES GKOHB05 P. 47
CIRCULAR HIGH BAYS

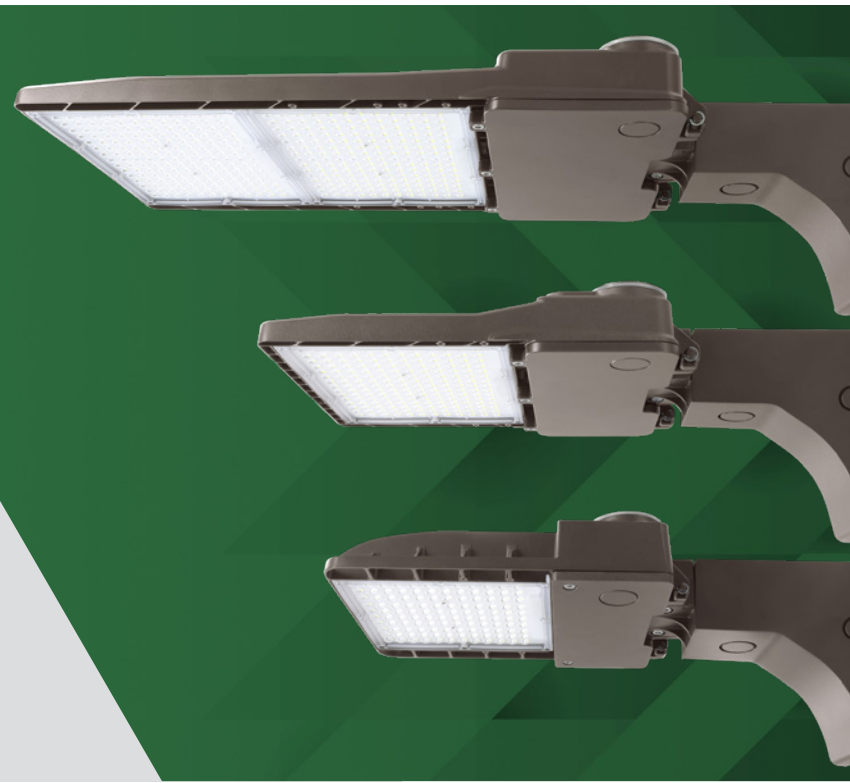
SERIES GKOHB06 P. 48
CIRCULAR HIGH BAYS
215W ONLY

AREA LIGHT

SERIES GKOALG5

Quick Facts

- 100W / 150W / 180W / 250W / 300W
- Up to 42,000 Lumens
- 5000K / 4000K*
- High Efficacy: Up to 144 LM/W
- Replaces: Up to 1,000W MH
- Optional: Multi-Level Motion Sensor



Product Overview

High performing, DLC Premium Area Lights are an energy-efficient replacement for a traditional metal halide area light, up to 1,000W. GKOALG5 features a light, low-profile design for easier installation and reduced shipping cost. It is also UL Wet Location Listed, making it ideal for outdoor applications, even in harsh weather. The Area Light features a protective, rust-resistant powder coat finish and durable die-cast aluminum housing, ensuring the unit's longevity. The multiple mounting options accommodate various mounting requirements.

Key Features

- Reliable operation in extreme temperatures (-40°F to 104°F / -40°C to 40°C)
- 10KV Surge Protection per ANSI/IEEE C62.41.2 (20KV for 347-480V version)
- 0 -10V Dimmable Control allows for customized outputs
- Choice of pole mount, slipfitter mount, wall mount, or yoke mount is included, and adjustable pole mount is available for an additional charge
- Optional Multi-Level Motion Sensor for more energy savings
- 5 Year hassle-free limited warranty

5 Convenient Mounting Options

Please refer to p. 16 for additional information on mounting kits.



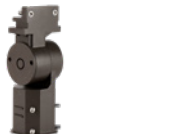
Pole Mount

Versatile, easy to install mounting arm includes a round plate adaptor for installation on square and round poles.



Adjustable Pole Mount

Mounting arm allows 0° - 180° vertical adjustments and may be installed on square or round poles (additional charges apply).



Slipfitter Mount

Adjustable adaptor that secures the fixture to a horizontal tenon arm.



Yoke Mount

Conveniently adjustable for precise aiming of the fixture.



Wall Mount

Enables easy installation for direct wall or standard J-Box mounting.

Energy Savings Accessories



Multi-Level Motion Sensor BRI823 / BRI619

Optional multi-level motion sensor allows even greater energy savings.

Light Control Accessories

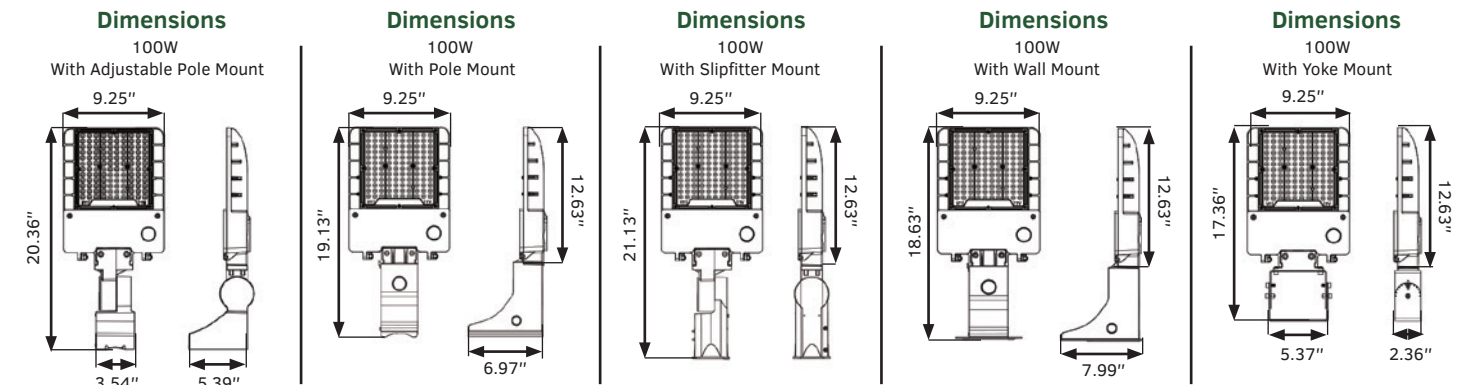


Backlight Glare Shield

A backlight control minimizes lighting spillover in order to comply with local ordinances.

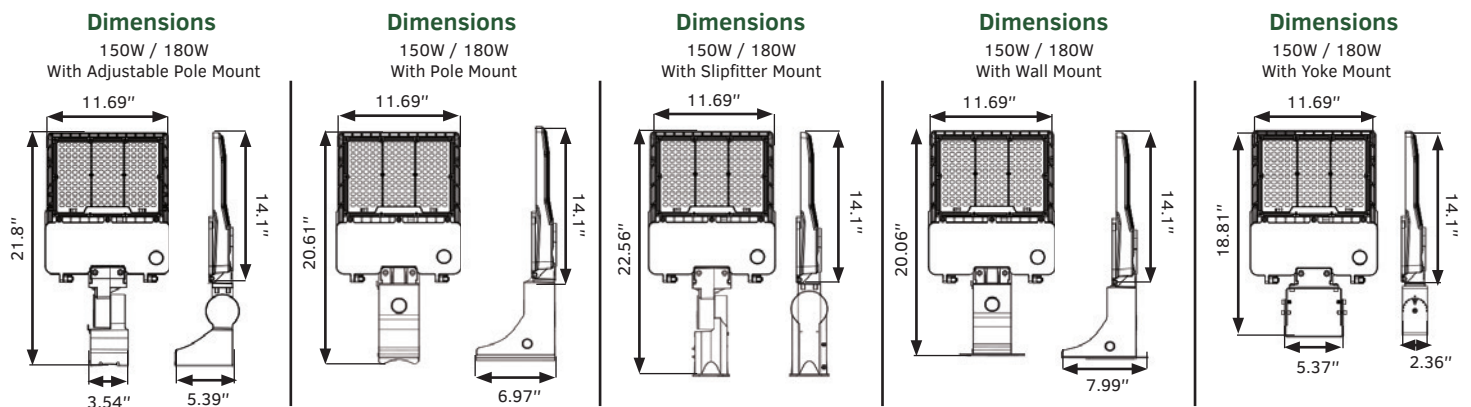
SKU:	WATTAGE:	OUTPUT:	CCT:	CRI:	VOLTAGE:	REPLACES:
GKOALG5100W27V50KDSQT3	100W	14,100 Lumens	5000K*	70	120-277V**	250W MH

*4000K available upon request. **347-480V available upon request.



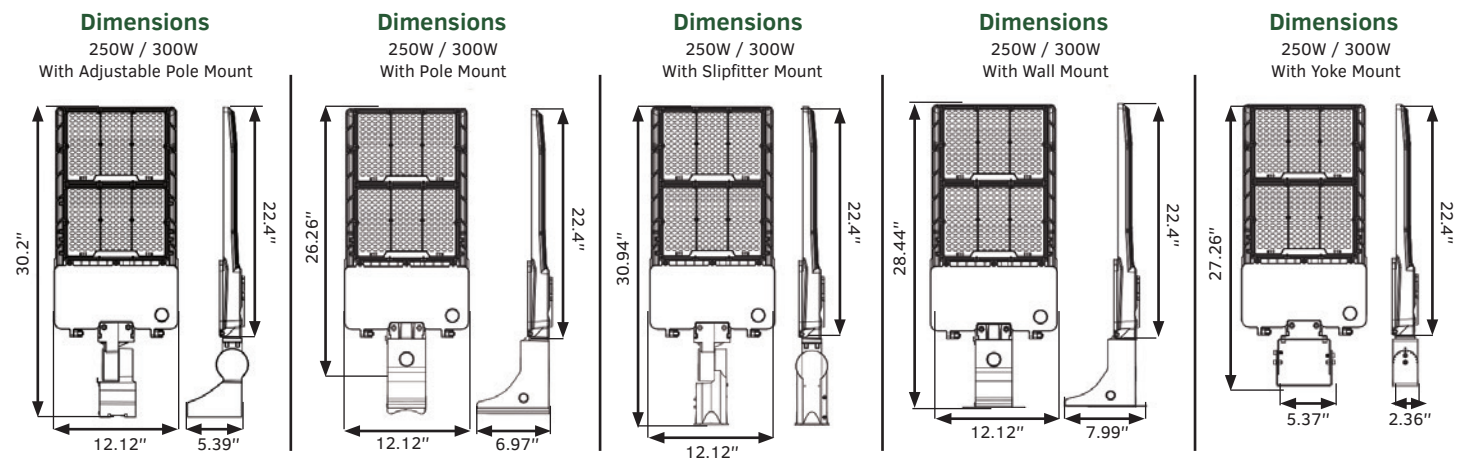
SKU:	WATTAGE:	OUTPUT:	CCT:	CRI:	VOLTAGE:	REPLACES:
GKOALG5150W27V50KDSQT3	150W	21,000 Lumens	5000K*	70	120-277V**	400W MH
GKOALG5180W27V50KDSQT3	180W	25,000 Lumens	5000K*	70	120-277V**	400W MH

*4000K available upon request. **347-480V available upon request.



SKU:	WATTAGE:	OUTPUT:	CCT:	CRI:	VOLTAGE:	REPLACES:
GKOALG5250W27V50KDSQT3	250W	35,000 Lumens	5000K*	70	120-277V**	750W MH
GKOALG5300W27V50KDSQT3	300W	42,000 Lumens	5000K*	70	120-277V**	1,000W MH

*4000K available upon request. **347-480V available upon request.



AREA LIGHT

SERIES GKOALG8

POWER & CCT TUNABLE
OPTIONS INCLUDED

Bluetooth™ Networked Controls
DLC NLC Qualified

PLUG & PLAY
Twist-Lock Sensor Design

Quick Facts

- 100W / 140W / 180W / 250W / 300W / 400W
- Up to 61,500 Lumens
- 5000K / 4000K / 3000K
- High Efficacy: Up to 168 LM/W
- Replaces: Up to 1,000W MH
- Optional: Multi-Level Motion Sensor



Product Overview

High performing, DLC Premium Area Lights are an energy-efficient replacement for a traditional metal halide area light, up to 1,000W. GKOALG8 features easily accessible Power & CCT adjustment controls on every wattage, with a choice of Type II, Type III, Type IV, or Type V light distribution. It is also UL Wet Location Listed, making it ideal for outdoor applications, even in harsh weather. The Area Light features a protective, rust-resistant powder coat finish and durable die-cast aluminum housing, ensuring the unit's longevity. The multiple mounting options accommodate various mounting requirements.

Key Features

- Reliable operation in extreme temperatures (-40°F to 113°F / -40°C to 45°C)
- Integrated Power & CCT Adjustment Dial is pre-installed on all wattages
- Available with Type II, III, IV, or V light distribution
- 10KV Surge Protection per ANSI/IEEE C62.41.2 (20KV for 347-480V version)
- 0-10V Dimmable Control allows for customized lighting outputs
- Optional Plug & Play Bluetooth Networked Controls offer advanced lighting capabilities
- Optional 120-277V, 347V, or 480V Photocell gives greater control for additional energy savings
- 5 Year hassle-free limited warranty

5 Convenient Mounting Options

Please refer to p. 16 for additional information on mounting kits.



Pole Mount

Versatile, easy to install mounting arm includes a round plate adaptor for installation on square and round poles.



Adjustable Pole Mount

Mounting arm allows 0° - 180° vertical adjustments and may be installed on square or round poles (additional charges apply).



Slipfitter Mount

Adjustable adaptor that secures the fixture to a horizontal tenon arm.



Yoke Mount

Conveniently adjustable for precise aiming of the fixture.



Wall Mount

Enables easy installation for direct wall or standard J-Box mounting.

Energy Savings Accessories



Multi-Level Motion Sensor
BRI823 (Integrated) /
ANT-6-4T (Plug & Play) /
ANT-6-4T-BLE-SR (Plug & Play
Bluetooth Networked Controls)
Optional multi-level motion sensor
allows even greater energy savings.

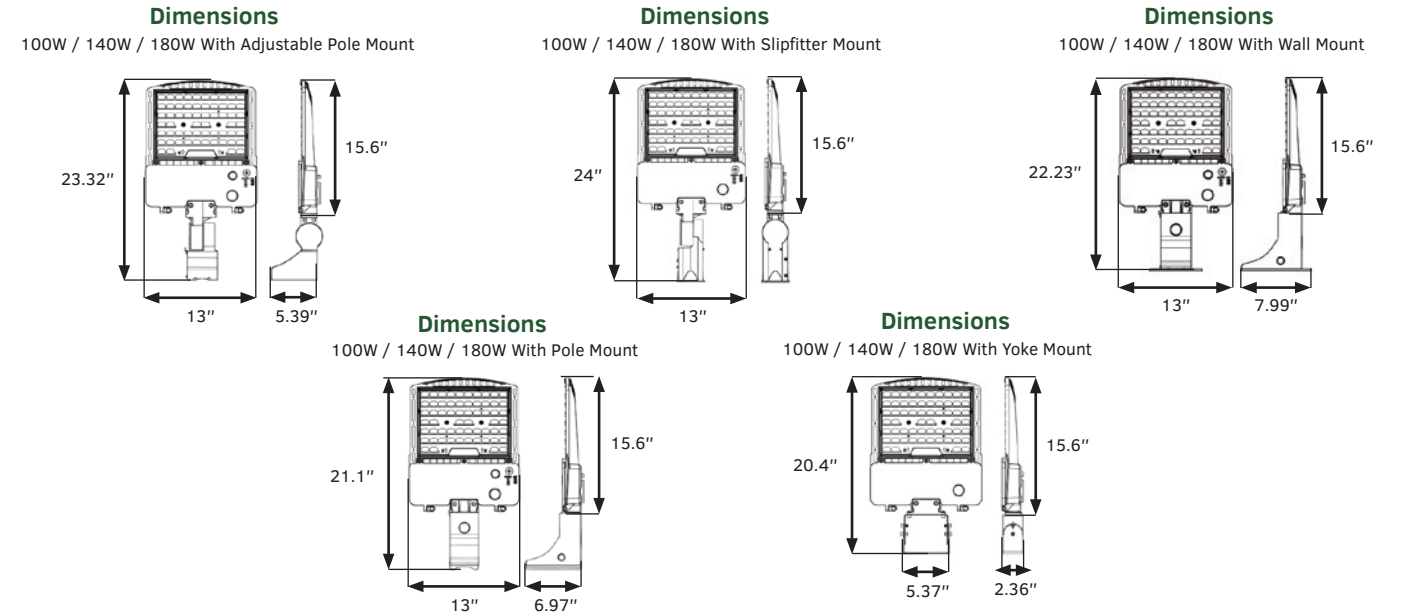
Light Control Accessories



Full & Backlight Glare Shield
A backlight control minimizes
lighting spillover in order to comply
with local ordinances.

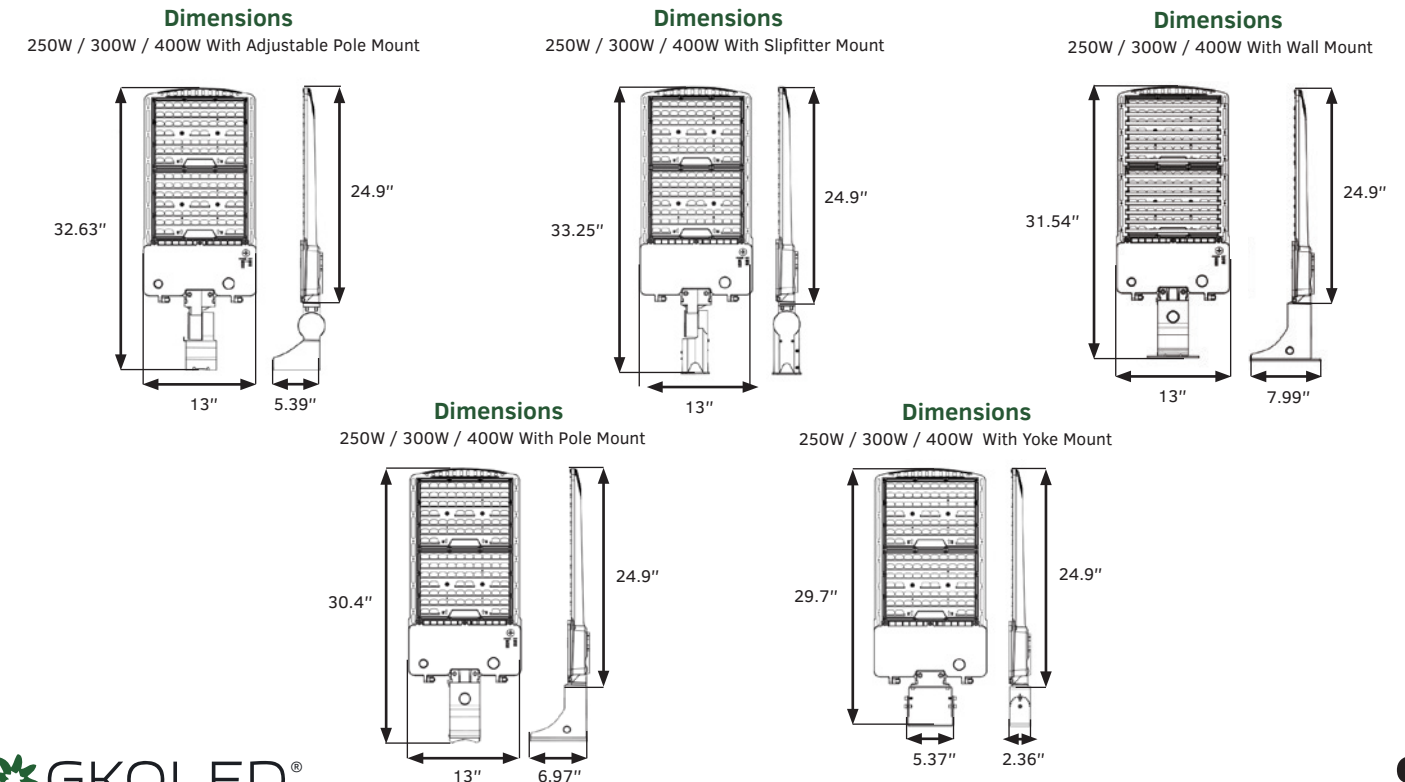
SKU:	WATTAGE:	OUTPUT:	CCT:	CRI:	VOLTAGE:	REPLACES:
GKOALG8100W27VDDKSQT3AD	100W	14,500 Lumens	3000K*	70	120-277V**	250W MH
GKOALG8140W27VDDKSQT3AD	140W	20,000 Lumens	3000K*	70	120-277V**	400W MH
GKOALG8180W27VDDKSQT3AD	180W	24,000 Lumens	3000K*	70	120-277V**	400W MH

*4000K and 5000K available using Power & CCT Adjustment controls. **347-480V available upon request.



SKU:	WATTAGE:	OUTPUT:	CCT:	CRI:	VOLTAGE:	REPLACES:
GKOALG8250W27VDDKSQT3AD	250W	33,500 Lumens	3000K*	70	120-277V***	750W MH
GKOALG8300W27VDDKSQT3AD	300W	41,000 Lumens	3000K*	70	120-277V***	1000W MH
GKOALG8400W27VDDKSQT3AD	400W	61,500 Lumens	5000K**	70	120-277V***	1,000W MH

*4000K and 5000K available using Power & CCT Adjustment controls. **4000K available using Power & CCT Adjustment controls. ***347-480V available upon request.



AREA LIGHT

SERIES GKOALG6

Quick Facts

- 100W / 150W / 200W / 240W / 300W / 350W
- Up to 50,000 Lumens
- 5000K / 4000K*
- High Efficacy: Up to 148 LM/W
- Replaces: Up to 1,000W MH
- Optional: 120-277V, 347V, or 480V Photocell



Product Overview

High performing, DLC Premium Area Lights are an energy-efficient replacement for a traditional metal halide area light, up to 1,000W. The Area Light's rugged design and Type III light distribution with backlight control is ideal for illumination of streets, building facades, parking lots, and security areas. It is also UL Wet Location Listed, making it ideal for outdoor applications, even in harsh weather. The Area Light features a protective, rust-resistant powder coat finish and durable die-cast aluminum housing, ensuring the unit's longevity. The clear polycarbonate optical lens is impact-resistant and UV-resistant. Multiple mounting options accommodate various mounting requirements.

Key Features

- Reliable operation in extreme temperatures (-40°F to 113°F / -40°C to 45°C)
- 3G vibration rated for areas with traffic, meeting ANSI standards C136.31
- 10KV Surge Protection per ANSI/IEEE C62.41.2 (20KV for 347-480V version)
- 1-10V Dimmable Control allows for customized lighting outputs
- Easy installation with multiple mounting options - choice of pole mount, slipfitter mount, or wall mount is included
- Optional 120-277V, 347V, or 480V Photocell gives greater control for additional energy savings
- 10 Year hassle-free limited warranty

3 Convenient Mounting Options

Please refer to p. 16 for additional information on mounting kits.



Pole Mount

Versatile, easy to install mounting arm includes a round plate adaptor for installation on square and round poles.



Slipfitter Mount

Adjustable adaptor that secures the fixture to a horizontal tenon arm.



Wall Mount

Enables easy installation for direct wall or standard J-Box mounting.

Energy Savings Accessories

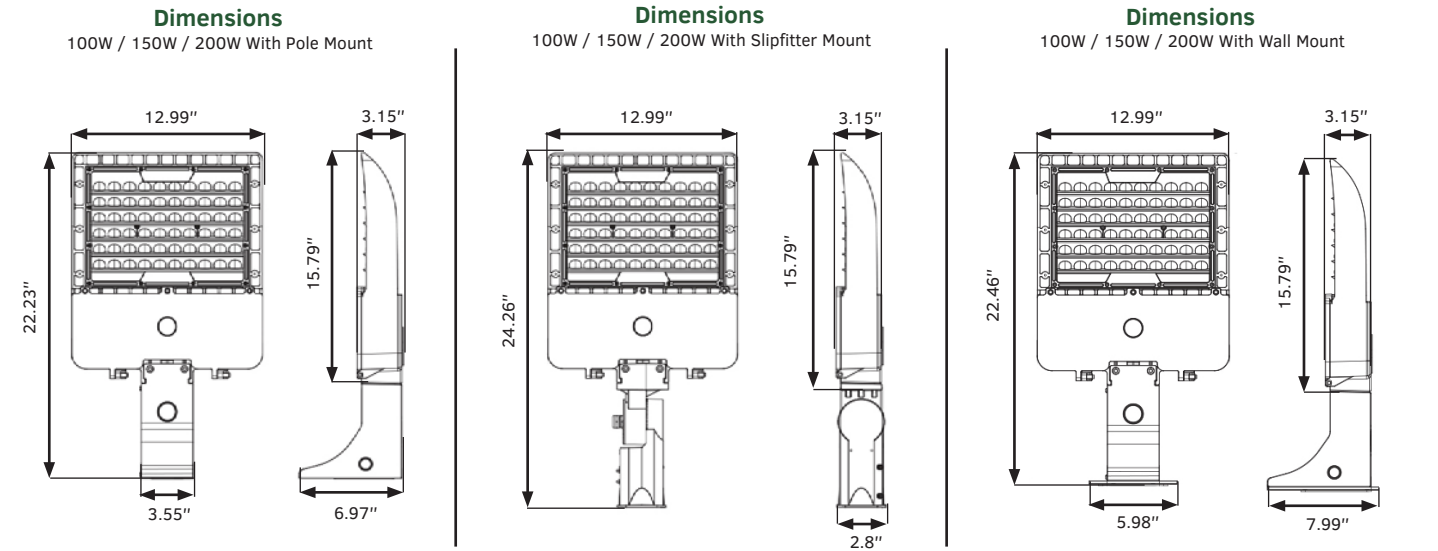


Twist-Lock Photocell

P0 120-277V / P3 347V / P4 480V
Optional dusk to dawn sensor turns fixture on or off based on amount of ambient light.

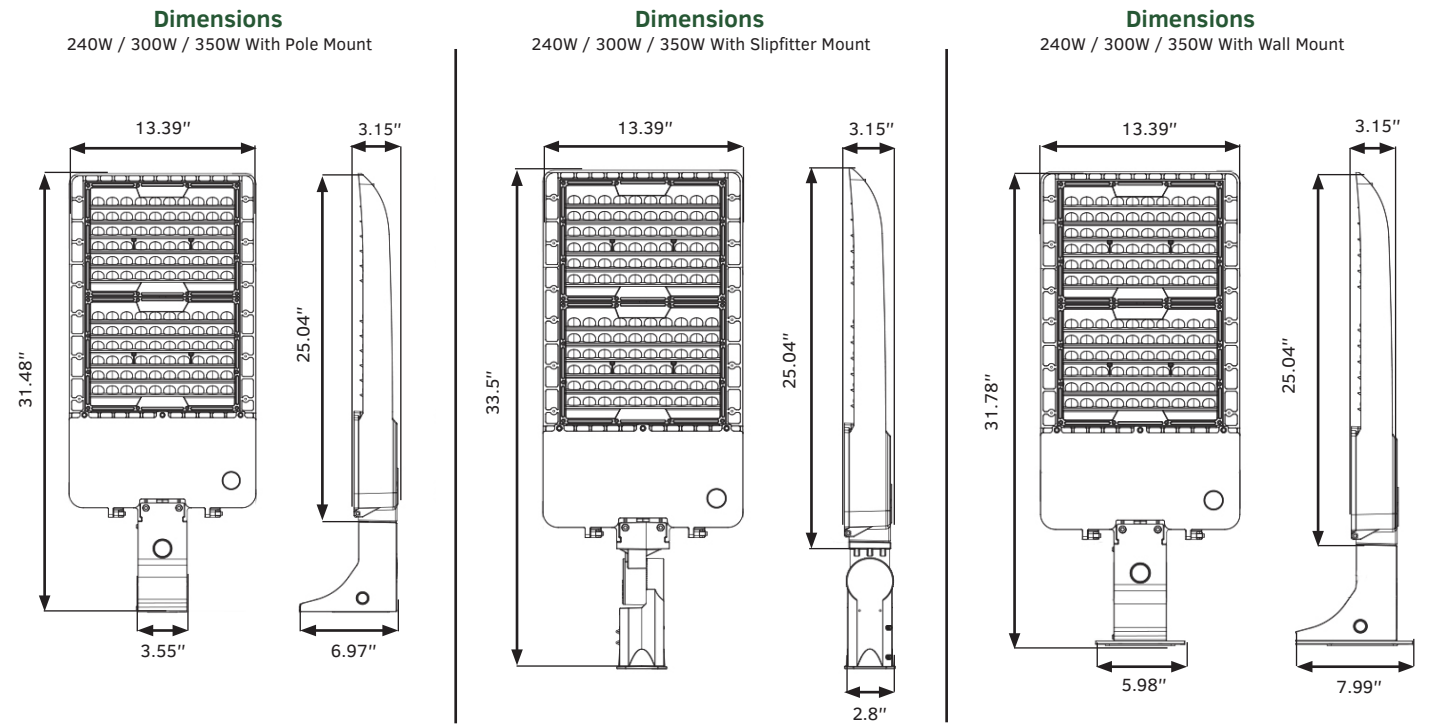
SKU:	WATTAGE:	OUTPUT:	CCT:	CRI:	VOLTAGE:	REPLACES:
GKOALG6100W27V50KDSQT3	100W	14,200 Lumens	5000K*	70	120-277V**	250W MH
GKOALG6150W27V50KDSQT3	150W	21,200 Lumens	5000K*	70	120-277V**	400W MH
GKOALG6200W27V50KDSQT3	200W	28,000 Lumens	5000K*	70	120-277V**	400W MH

*4000K available upon request. **347-480V available upon request.



SKU:	WATTAGE:	OUTPUT:	CCT:	CRI:	VOLTAGE:	REPLACES:
GKOALG6240W27V50KDSQT3	240W	34,000 Lumens	5000K*	70	120-277V**	750W MH
GKOALG6300W27V50KDSQT3	300W	42,500 Lumens	5000K*	70	120-277V**	1,000W MH
GKOALG6350W27V50KDSQT3	350W	50,000 Lumens	5000K*	70	120-277V**	1,000W MH

*4000K available upon request. **347-480V available upon request.



FLAT FLOOD LIGHT

SERIES GKOFDG9

Quick Facts

- 100W / 150W / 200W / 240W / 300W / 350W
- Up to 51,000 Lumens
- 5000K / 4000K*
- High Efficacy: Up to 146 LM/W
- Replaces: Up to 1,000W MH
- Optional: 120-277V or 480V Photocell



Product Overview

High performing, DLC Premium Flood Lights are an energy-efficient replacement for a traditional metal halide flood light, up to 1,000W. The Flood Light's NEMA 7H*7V light distribution pattern is ideal for parking lots, walkways, roadways, campuses, facade lighting, and other public areas. It is also UL Wet Location Listed, making it ideal for outdoor applications, even in harsh weather. The Flood Light features a protective, rust-resistant powder coat finish and durable die-cast aluminum housing, ensuring the unit's longevity. The multiple mounting options accommodate various mounting requirements.

Key Features

- Reliable operation in extreme temperatures (-40°F to 113°F / -40°C to 45°C)
- 10KV Surge Protection per ANSI/IEEE C62.41.2 (20KV for 347-480V version)
- 1-10V Dimmable Control allows for customized lighting outputs
- Clear Polycarbonate Optical Lens is impact-resistant and UV-resistant
- Choice of slipfitter, trunnion or yoke mounting options included
- Optional 120-277V or 480V Photocell turns the fixture on or off based on the amount of ambient light
- 10 Year hassle-free limited warranty

3 Convenient Mounting Options

Please refer to p. 16 for additional information on mounting kits.



Slipfitter Mount

Adjustable adaptor that secures the fixture to a horizontal tenon arm.



Trunnion Mount

Easily fastened to various flat surfaces and conveniently adjustable for precise aiming of the fixture.



Yoke Mount

Easily fastened to various flat surfaces and conveniently adjustable for precise aiming of the fixture.

Energy Savings Accessories

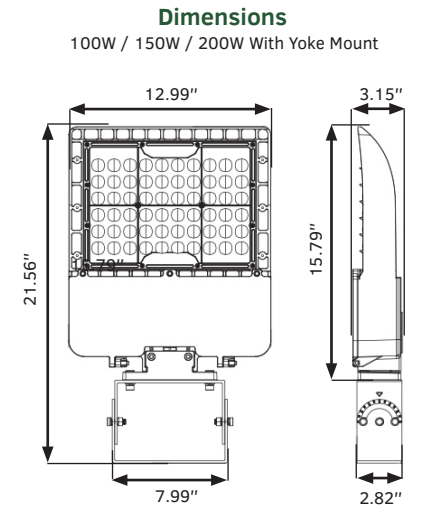
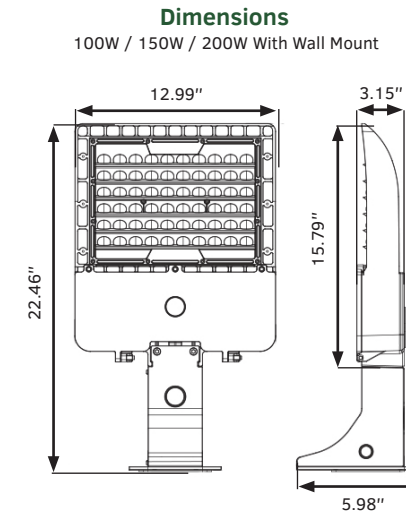
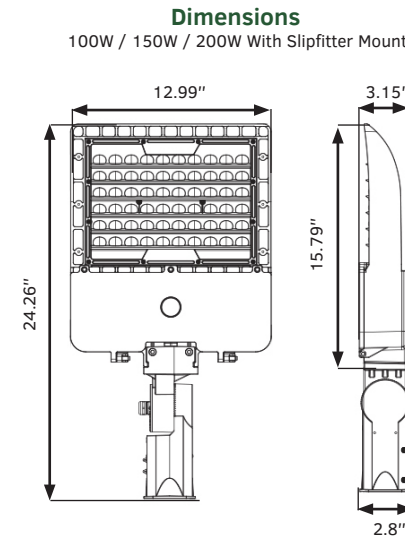


Twist-Lock Photocell
PO 120-277V / P4 480V

Optional dusk to dawn sensor turns fixture on or off based on amount of ambient light.

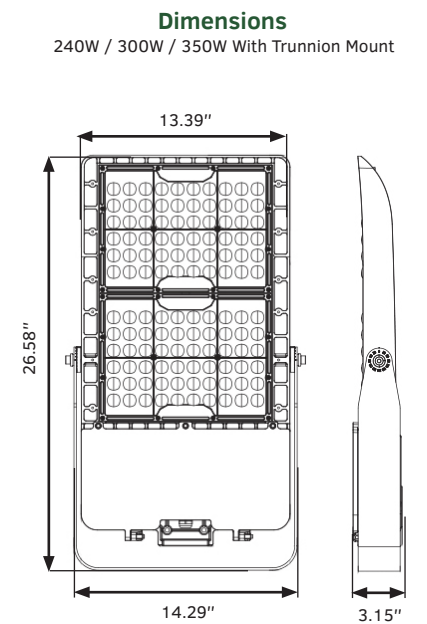
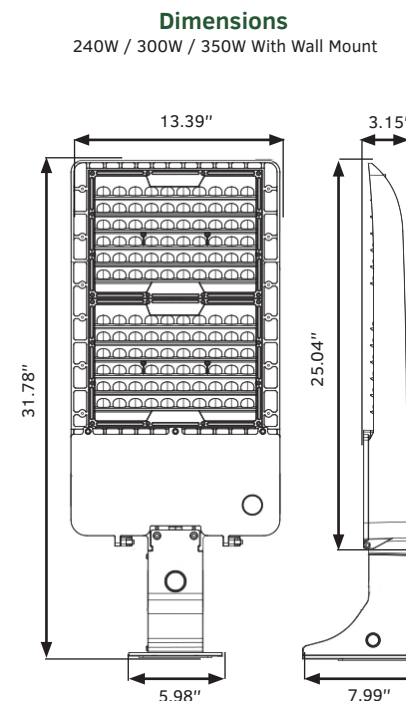
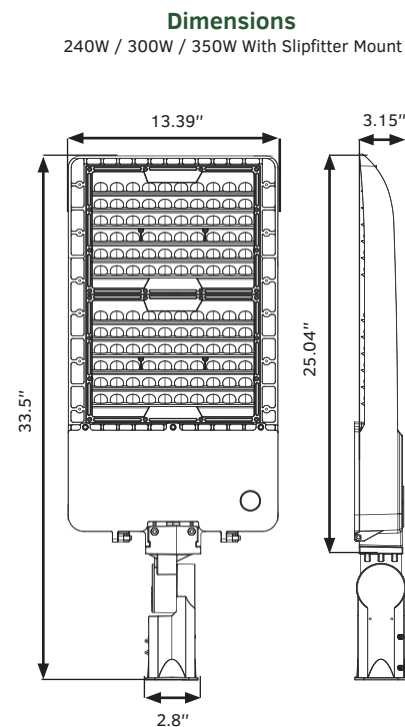
SKU:	WATTAGE:	OUTPUT:	CCT:	CRI:	VOLTAGE:	REPLACES:
GKOFDG9100W27V50KBDB77	100W	14,800 Lumens	5000K*	70	120-277V**	320W MH
GKOFDG9150W27V50KBDB77	150W	22,200 Lumens	5000K*	70	120-277V**	400W MH
GKOFDG9200W27V50KBDB77	200W	28,800 Lumens	5000K*	70	120-277V**	400W MH

*4000K available upon request. **347-480V available upon request.



SKU:	WATTAGE:	OUTPUT:	CCT:	CRI:	VOLTAGE:	REPLACES:
GKOFDG9240W27V50KBDB77	240W	35,500 Lumens	5000K*	70	120-277V**	750W MH
GKOFDG9300W27V50KBDB77	300W	43,700 Lumens	5000K*	70	120-277V**	1,000W MH
GKOFDG9350W27V50KBDB77	350W	51,000 Lumens	5000K*	70	120-277V**	1,000W MH

*4000K available upon request. **347-480V available upon request.

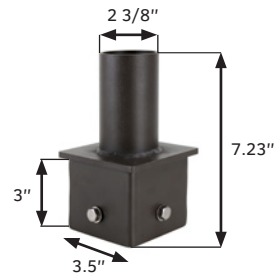


WALL & POLE BRACKETS

Mounting brackets are available for use with GKOLED® area light series GKOALG5, GKOALG8, and GKOALG6, and GKOLED® flood light series GKOFD08, GKOFDG9, and GKOFDG11. All mounting brackets are sold separately.

TENON ADAPTORS

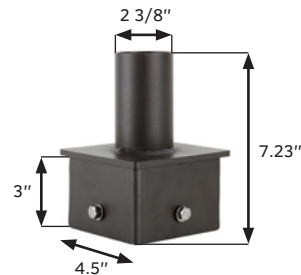
Tenon adaptors are available for use with GKOLED® area light series GKOALG5, GKOALG8, and GKOALG6, and GKOLED® flood light series GKOFD08, GKOFDG9, and GKOFDG11. All tenon adaptors are sold separately.



4" Square Pole Mount With 2-3/8" O.D. Tenon

SKU: 4SQ-SP-D

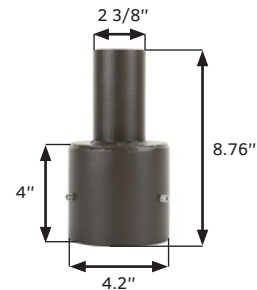
For use with square, non-tapered steel and aluminum poles. Furnished with four 5/16" hex head stainless steel bolts. Vertical tenon measures 2-3/8" O.D. and is made of steel tubing. Fixtures mounted to this bracket can be adjusted vertically and horizontally.



5" Square Pole Mount With 2-3/8" O.D. Tenon

SKU: 5SQ-SP-D

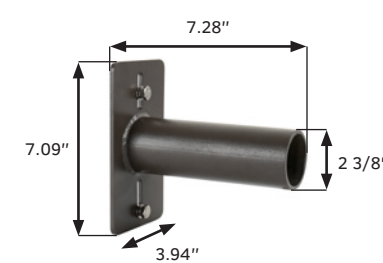
For use with square, non-tapered steel and aluminum poles. Furnished with four 5/16" hex head stainless steel bolts. Vertical tenon measures 2-3/8" O.D. and is made of steel tubing. Fixtures mounted to this bracket can be adjusted vertically and horizontally.



4" Round Pole Mount With 2-3/8" O.D. Tenon

SKU: 4SQR-SP-D

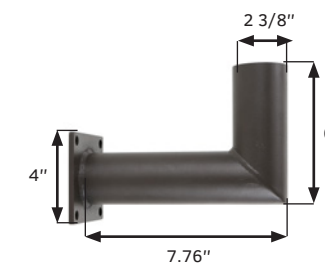
For use with round, non-tapered steel and aluminum poles. Furnished with three 3/8" hex head stainless steel bolts. Vertical tenon measures 2-3/8" O.D. and is made of steel tubing. Fixtures mounted to this bracket can be adjusted vertically and horizontally.



2-3/8" O.D. Horizontal Tenon Mid-Pole Bracket

SKU: SQ-SP-D

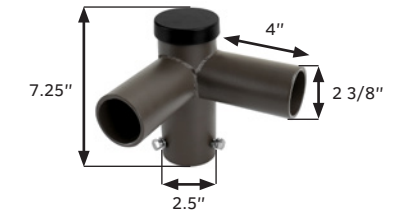
This bracket is designed to mount a GKOLED® light fixture equipped with a slipfitter mount onto a 2-3/8" O.D. horizontal tenon.



90° Wall Mount Bracket with 2-3/8" O.D. Tenon

SKU: WM-SP-D

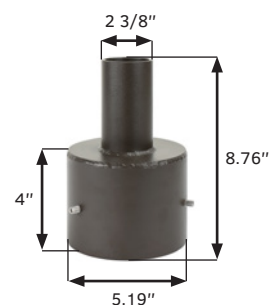
This bracket attaches a GKOLED® flood light to almost any surface, including walls, roofs, and wood poles. It provides wiring access and a built-in 2-3/8" O.D. tenon to mount a fixture equipped with a slipfitter mount. 3/8" bolts are suggested for mounting.



Double 90° Horizontal Tenon Adaptor

SKU: R60-SP2-90-D

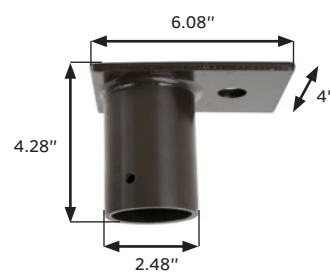
This bracket is designed to mount over a 2-3/8" O.D. vertical tenon. Two fixtures can be mounted and adjusted horizontally.



5" Round Pole Mount With 2-3/8" O.D. Tenon

SKU: 5SQR-SP-D

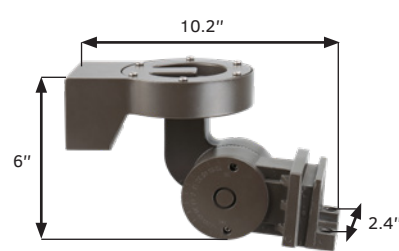
For use with round, non-tapered steel and aluminum poles. Furnished with three 3/8" hex head stainless steel bolts. Vertical tenon measures 2-3/8" O.D. and is made of steel tubing. Fixtures mounted to this bracket can be adjusted vertically and horizontally.



2-3/8" O.D. Tenon Mount Adaptor for Yoke Fixtures

SKU: SP-TR-D

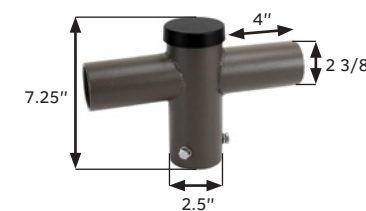
This adaptor is designed to mount GKOLED® light fixtures that are equipped with a yoke mount onto a 2-3/8" O.D. tenon.



Pole Bracket Angle Adjustment Adaptor

SKU: SQA-ALDA / SQA-AL04DA

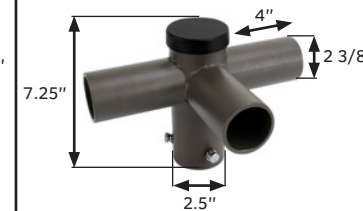
Made from rugged die-cast aluminum, this bracket allows optimal positioning of the light fixture to maximize the lighting effectiveness both vertically and horizontally. Dimensions may vary depending on model.



Double 180° Horizontal Tenon Adaptor

SKU: R60-SP2-180-D

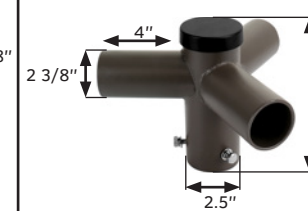
This bracket is designed to mount over a 2-3/8" O.D. vertical tenon. Two fixtures can be mounted and adjusted horizontally.



Triple 90° Horizontal Tenon Adaptor

SKU: R60-SP3-90-D

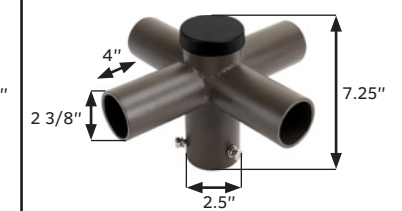
This bracket is designed to mount over a 2-3/8" O.D. vertical tenon. Three fixtures can be mounted and adjusted horizontally.



Triple 120° Horizontal Tenon Adaptor

SKU: R60-SP3-120-D

This bracket is designed to mount over a 2-3/8" O.D. vertical tenon. Three fixtures can be mounted and adjusted horizontally.



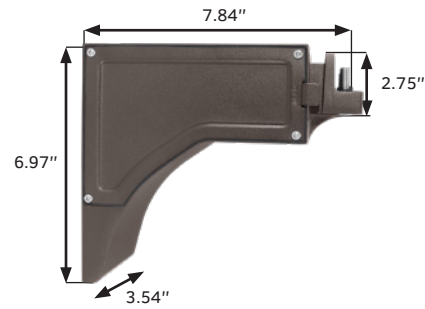
Quad 90° Horizontal Tenon Adaptor

SKU: R60-SP4-90-D

This bracket is designed to mount over a 2-3/8" O.D. vertical tenon. Four fixtures can be mounted and adjusted horizontally.

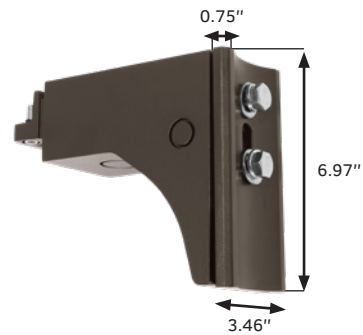
MOUNTING KITS

Mounting accessory kits are available for use with GKOLED® area and flood lights. Your choice of mounting kit is included with a fixture or can be purchased separately. Please refer to individual product pages for compatibility.



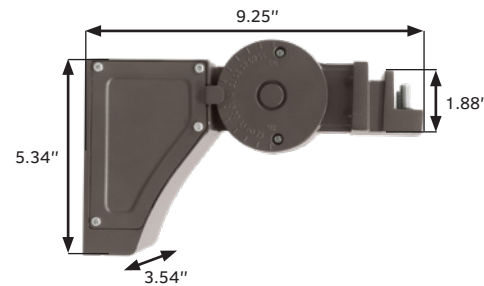
Square/Round Pole Installation Kit
SKU: SQUAL04DA / SQUAL01DA-A

A standard mounting arm for use with GKOLED® area lights, with a knock-out to install a photocell or sensor. Furnished with two 5/16" hex head stainless steel bolts and two 1/2" hex head stainless steel screws. Suitable for 4" and 5" square poles, or round poles with included plate.



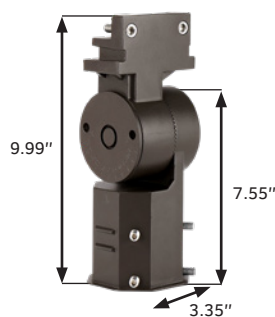
Round Pole Installation Kit
SKU: SQUAL04DA / SQUAL01DA-B

A standard mounting arm for use with GKOLED® area lights, with a knock-out to install a photocell or sensor. Furnished with two 5/16" hex head stainless steel bolts and two 1/2" hex head stainless steel screws. Suitable for 4" and 5" round poles. Included with square pole installation kit.



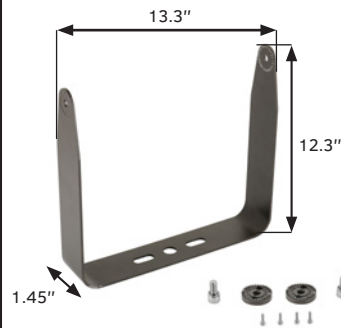
Adjustable Pole Installation Kit
SKU: SQAAL08DA

An adjustable mounting arm for use with GKOLED® area lights that allows the angle of the fixture to be vertically tilted from 0° to 180°. Furnished with two 5/16" hex head stainless steel bolts and two 1.575 inch hex head stainless steel screws. Suitable for 4" and 5" square or round poles. Additional charges apply.



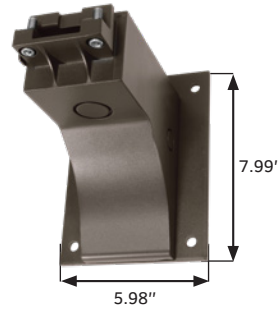
Slipfitter Installation Kit
SKU: SPAL04DA / SPFD04DA

Used for pole mounting, this aluminum adaptor secures a fixture head to a nominal 2" (2-3/8" O.D. pipe) horizontal steel tenon arm. Furnished with 1/2" hex head stainless steel screws.



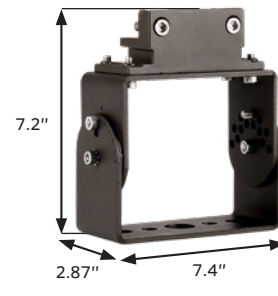
Trunnion Installation Kit
SKU: TRFD04DA

The trunnion mount attaches a GKOLED® flood light to almost any surface, including walls, roofs, and wood poles. It may be installed using a GKOLED® 2-3/8" O.D. Tenon Mounting Bracket (SP-TR-D).



Wall Mount Installation Kit
SKU: WMAL04DA / WMAL01DA

The wall mount enables direct wall mounting using 1/2" conduit wiring, as well as standard J-box mounting. A knock-out allows for the installation of a photocell or sensor. Furnished with two 5/16" hex head stainless steel bolts.

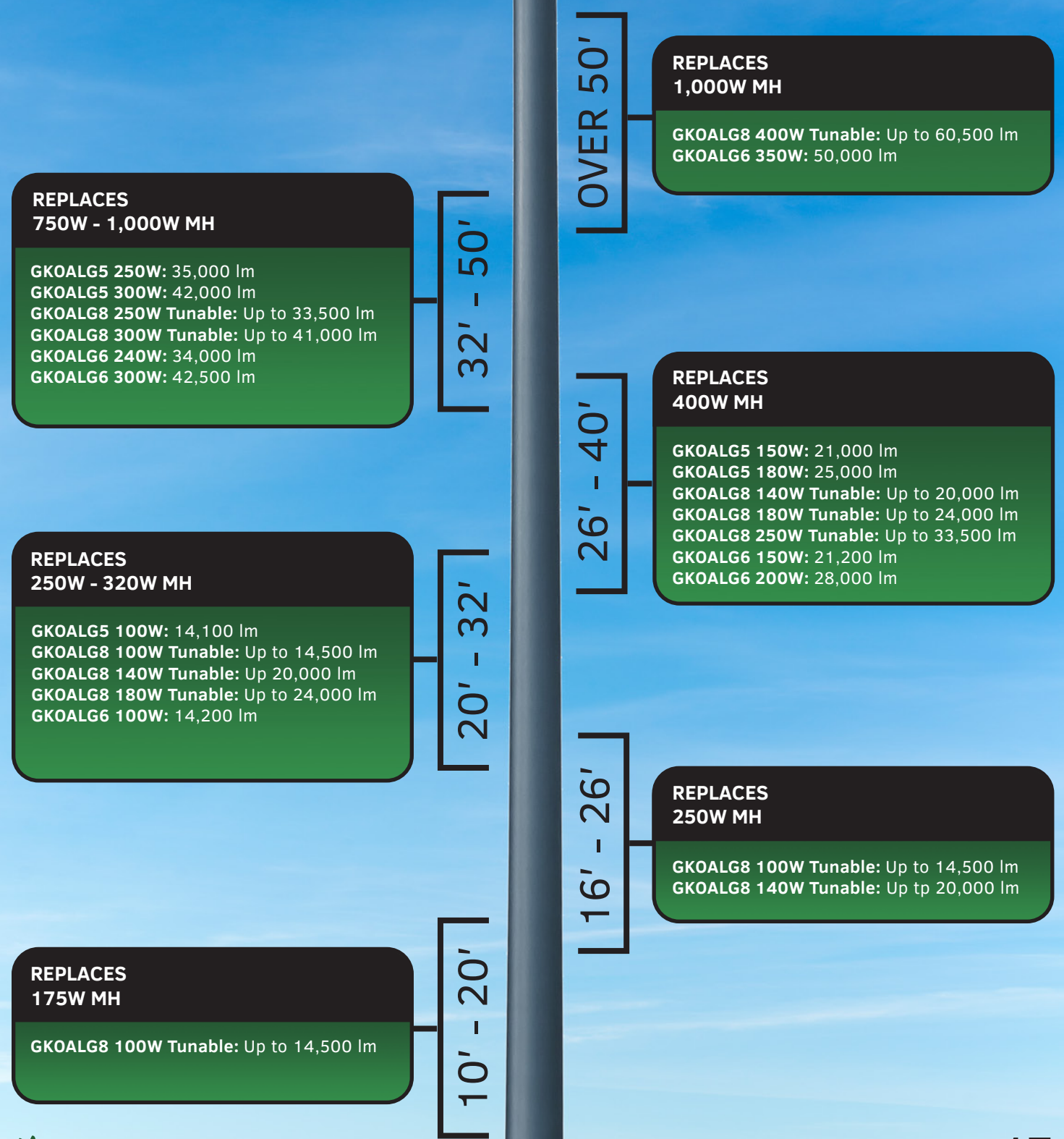


Yoke Installation Kit
SKU: YKFD07DC / YKFD04DA

The yoke mount attaches a GKOLED® flood light to almost any surface, including walls, roofs, and wood poles. It may be installed using a GKOLED® 2-3/8" O.D. Tenon Mounting Bracket (SP-TR-D).

RECOMMENDED MOUNTING HEIGHTS FOR GKOLED® AREA LIGHT POWER OPTIONS

Note: Suggested wattages for each height are approximations and are for reference purposes only. Please contact your sales representative for a customized recommendation.



FLOOD LIGHT

SERIES GKOFDG11

POWER & CCT TUNABLE
OPTIONS INCLUDED

Quick Facts

- 15W / 27W / 40W / 65W / 90W / 120W
- Up to 17,500 Lumens
- 5000K / 4000K* / 3000K*
- High Efficacy: Up to 161 LM/W
- Replaces: Up to 400W MH
- Power & CCT Adjustment Dial Included
- Optional: 120-277V Photocell



Product Overview

High performing, DLC Premium Flood Lights are an energy-efficient replacement for a traditional metal halide flood light, up to 400W. A wide light beam, a full range of wattages, and power & CCT adjustment controls make it easy to build the ideal lighting package for illumination of parking lots, walkways, campuses, car dealerships, office complexes, and internal roadways. It is also UL Wet Location Listed, making it ideal for outdoor applications, even in harsh weather. The Flood Light features a protective, rust-resistant powder coat finish and durable die-cast aluminum housing, ensuring the unit's longevity. The multiple mounting options accommodate various mounting requirements.

Key Features

- Reliable operation in extreme temperatures (-40°F to 104°F / -40°C to 40°C)
- Integrated Power & CCT Adjustment Dial is pre-installed on all wattages
- NEMA 7H*7V Wide Light Dispersion gives a horizontal and vertical beam over 130° wide
- 1-10V Dimmable Control allows for customized lighting outputs
- Tempered Glass Optical Lens is impact-resistant and heat-resistant, with a visor that reduces glare
- Easy installation with four mounting options – choice of slipfitter mount, trunnion mount, yoke mount or knuckle mount included
- Optional 120-277V Photocell
- 5 Year hassle-free limited warranty

4 Convenient Mounting Options



1/2" Knuckle Mount
Die-cast knuckle provides flexibility for mounting in a variety of areas.



Slipfitter Mount
Adjustable adaptor that secures the fixture to a horizontal tenon arm.



Trunnion Mount
Easily fastened to various flat surfaces and conveniently adjustable for precise aiming of the fixture.



Yoke Mount
Easily fastened to various flat surfaces and conveniently adjustable for precise aiming of the fixture.

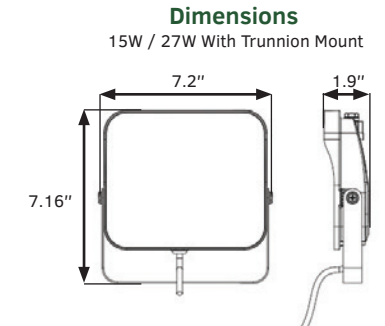
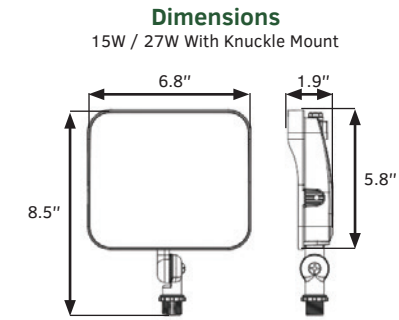
Energy Savings Accessories



Button Photocell PO 120-277V
Optional dusk to dawn sensor turns fixture on or off based on amount of ambient light.

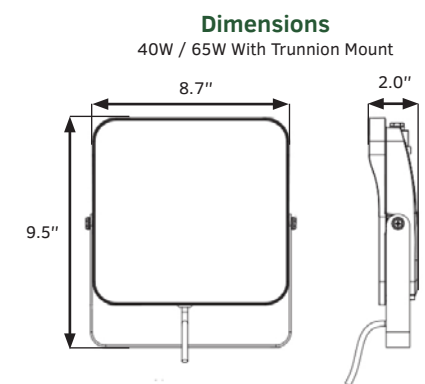
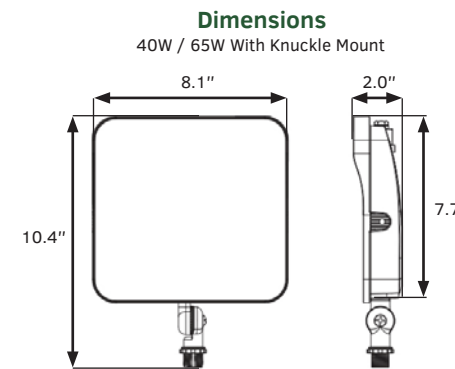
SKU:	WATTAGE:	OUTPUT:	CCT:	CRI:	VOLTAGE:	REPLACES:
GKOFDG1115WDDKDB77	15W	2,050 Lumens	3000K*	70	120-277V	50W MH
GKOFDG1127WDDKDB77	27W	3,500 Lumens	3000K*	70	120-277V	100W MH

*4000K and 5000K available using Power/CCT Adjustment controls.



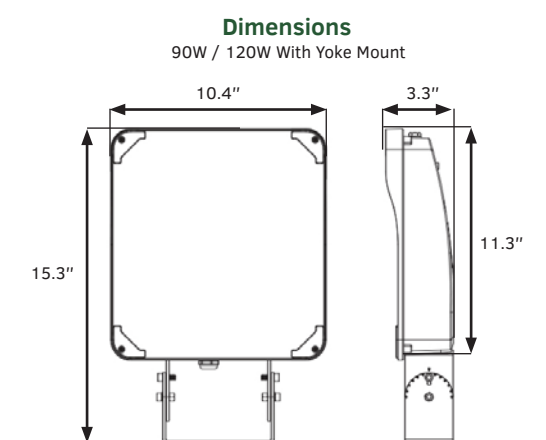
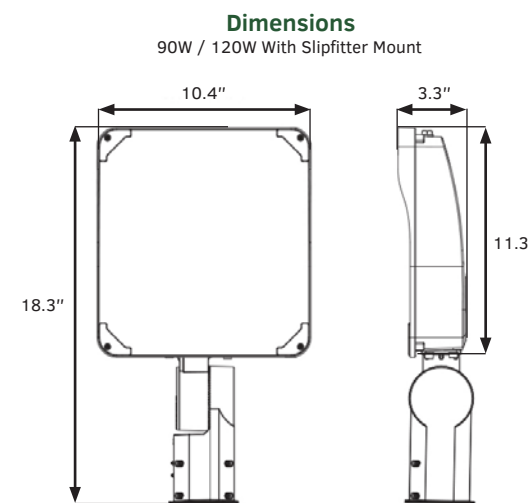
SKU:	WATTAGE:	OUTPUT:	CCT:	CRI:	VOLTAGE:	REPLACES:
GKOFDG1140WDDKDB77	40W	5,700 Lumens	3000K*	70	120-277V	175W MH
GKOFDG1165WDDKDB77	65W	9,200 Lumens	3000K*	70	120-277V	250W MH

*4000K and 5000K available using Power/CCT Adjustment controls.



SKU:	WATTAGE:	OUTPUT:	CCT:	CRI:	VOLTAGE:	REPLACES:
GKOFDG1190WDDKDB77	90W	13,400 Lumens	3000K*	70	120-277V	320W MH
GKOFDG11120WDDKDB77	120W	17,500 Lumens	3000K*	70	120-277V	400W MH

*4000K and 5000K available using Power/CCT Adjustment controls.



Quick Facts

- 15W / 27W / 45W / 60W / 70W / 100W / 135W / 200W / 350W
- Up to 50,000 Lumens
- 5000K / 4000K* / 3500K* / 3000K*
- High Efficacy: Up to 143 LM/W
- Replaces: Up to 1,000W MH
- Optional: 120-277V Photocell
- Wide or focused light dispersion - NEMA 7H*6V or 4H*4V distribution



Product Overview

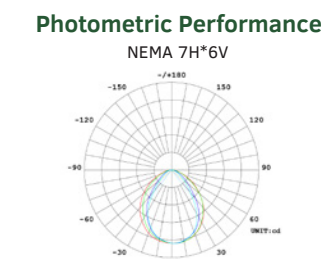
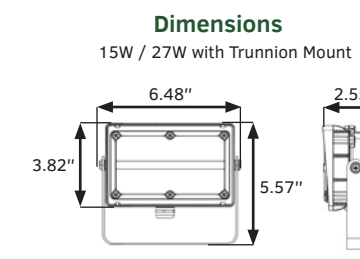
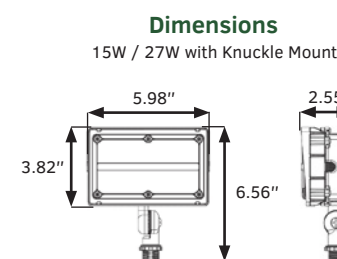
High performing, DLC Premium Flood Lights are an energy-efficient replacement for a traditional metal halide flood light, up to 1,000W. The Flood Light offers a large variety of options. A wide or focused light beam, a full range of wattages, and multiple CCT options make it easy to build the ideal lighting package for illumination of parking lots, walkways, campuses, car dealerships, office complexes, and internal roadways. It is also UL Wet Location Listed, making it ideal for outdoor applications, even in harsh weather. The Flood Light features a protective, rust-resistant powder coat finish and durable die-cast aluminum housing, ensuring the unit's longevity. The multiple mounting options accommodate various mounting requirements.

Key Features

- Reliable operation in extreme temperatures (-40°F to 104°F / -40°C to 40°C)
- NEMA 7H*6V (beam angle of over 130° horizontally and 100° to 130° vertically) or 4H*4V (beam angle of 46° to 70° horizontally and vertically) light dispersion
- 1-10V Dimmable Control allows for customized lighting outputs
- Polycarbonate Optical Lens is impact-resistant and UV-resistant
- Easy installation with four mounting options – choice of slipfitter mount, trunnion mount, yoke mount or knuckle mount included
- Optional 120-277V Photocell turns the fixture on or off based on the amount of ambient light
- 5 Year hassle-free limited warranty

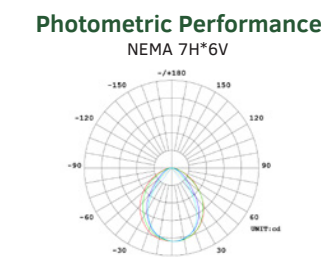
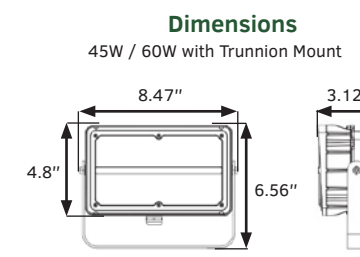
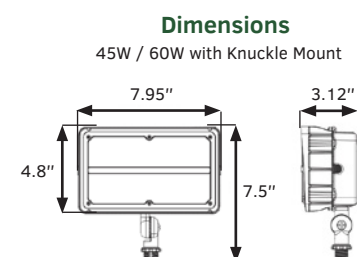
SKU:	WATTAGE:	OUTPUT:	CCT:	CRI:	VOLTAGE:	REPLACES:
GKOFD0815W27V50KDB76KN	15W	2,000 Lumens	5000K*	70	120-277V	50W MH
GKOFD0827W27V50KDB76KN	27W	3,700 Lumens	5000K*	70	120-277V	100W MH

*4000K, 3500K, and 3000K available upon request.



SKU:	WATTAGE:	OUTPUT:	CCT:	CRI:	VOLTAGE:	REPLACES:
GKOFD0845W27V50KDB76KN	45W	6,150 Lumens	5000K*	70	120-277V	175W MH
GKOFD0860W27V50KDB76KN	60W	7,800 Lumens	5000K*	70	120-277V**	250W MH

*4000K, 3500K, and 3000K available upon request. **347-480V available upon request (non-DLC).



4 Convenient Mounting Options



1/2" Knuckle Mount
Die-cast knuckle provides flexibility for mounting in a variety of areas.



Slipfitter Mount
Adjustable adaptor that secures the fixture to a horizontal tenon arm.



Trunnion Mount
Easily fastened to various flat surfaces and conveniently adjustable for precise aiming of the fixture.



Yoke Mount
Easily fastened to various flat surfaces and conveniently adjustable for precise aiming of the fixture.

Energy Savings Accessories



Button Photocell PO 120-277V
Optional dusk to dawn sensor turns fixture on or off based on amount of ambient light.

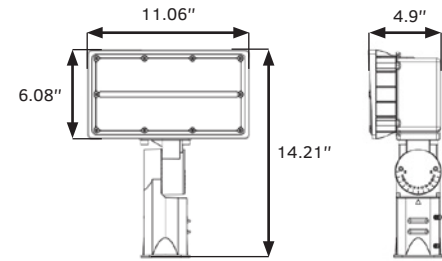
FLOOD LIGHT

SERIES GKOFD08

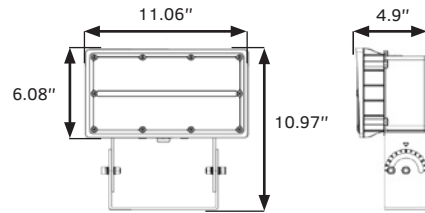
SKU:	WATTAGE:	OUTPUT:	CCT:	CRI:	VOLTAGE:	REPLACES:
GKOFD0870W27V50KDDB76YK	70W	9,400 Lumens	5000K*	70	120-277V**	250W MH
GKOFD08100W27V50KDDB76YK	100W	13,500 Lumens	5000K*	70	120-277V**	320W MH

*4000K, 3500K, and 3000K available upon request. **347-480V available upon request (non-DLC).

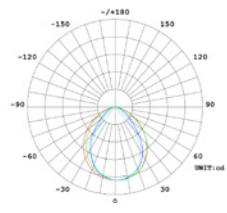
Dimensions
70W / 100W with Slipfitter Mount



Dimensions
70W / 100W with Yoke Mount



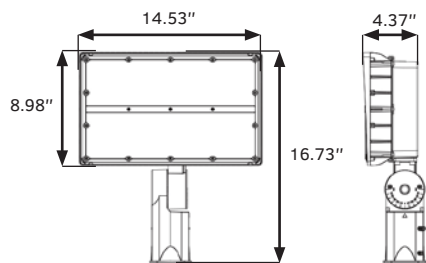
Photometric Performance
NEMA 7H*6V



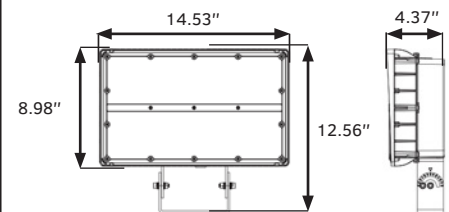
SKU:	WATTAGE:	OUTPUT:	CCT:	CRI:	VOLTAGE:	REPLACES:
GKOFD08135W27V50KDDB76YK	135W	18,500 Lumens	5000K*	70	120-277V**	320W MH
GKOFD08200W27V50KDDB76YK	200W	27,000 Lumens	5000K*	70	120-277V**	400W MH

*4000K, 3500K, and 3000K available upon request. **347-480V available upon request (non-DLC).

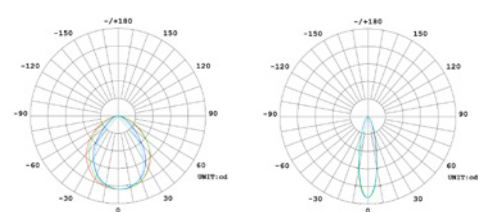
Dimensions
135W / 200W with Slipfitter Mount



Dimensions
135W / 200W with Yoke Mount



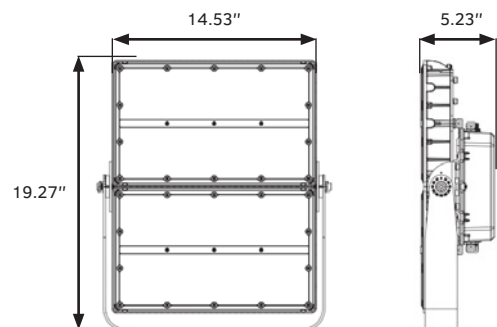
Photometric Performance
NEMA 7H*6V (Default) NEMA 4H*4V (Optional)



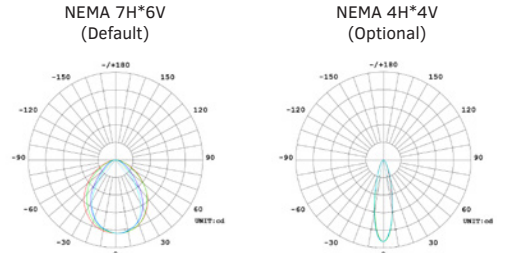
SKU:	WATTAGE:	OUTPUT:	CCT:	CRI:	VOLTAGE:	REPLACES:
GKOFD08350W27V50KDDB76TR	350W	50,000 Lumens	5000K*	70	120-277V**	1,000W MH

*4000K, 3500K, and 3000K available upon request. **347-480V available upon request (non-DLC).

Dimensions
350W with Trunnion Mount



Photometric Performance
NEMA 7H*6V (Default) NEMA 4H*4V (Optional)



SPORTS LIGHT

SERIES GKOSLG2

Quick Facts

- 510W
- 71,000 Lumens
- 5000K / 5700K* / 4000K*
- High Efficacy: Up to 139 LM/W
- Replaces: Up to 1,500W MH
- Top Visor Included
- Laser Aiming Sight Included



Product Overview

High performing, DLC Premium Sports Lights are an energy-efficient replacement for a traditional metal halide sports light, up to 1,500W. Featuring a compact, lightweight design with an external driver, the Sports Light provides powerful illumination for municipal, school, and semi-professional outdoor sports settings. It is UL Wet Location Listed with an IP65 Rating, and features a protective, rust-resistant powder coat finish and durable die-cast aluminum housing, ensuring the unit's longevity. Every Sports Light includes a top visor that reduces glare and a laser aiming sight that helps with precise aiming of the fixture. This light has been 1.5G vibration rated for windy conditions and areas with traffic.

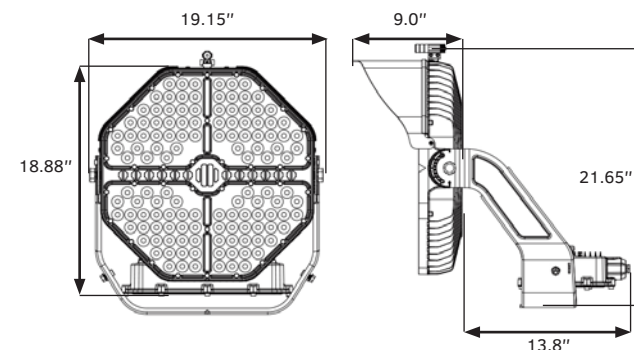
Key Features

- Reliable operation in extreme temperatures (-40°F to 131°F / -40°C to 55°C)
- 1.5G vibration rated for areas with traffic, meeting ANSI standards C136.31
- NEMA 4H*4V (beam angle of 46° to 70° horizontally and vertically) light dispersion with a CRI of 70, or CRI of 80 or 90 by special order
- Total fixture weight is under 40lbs for easier installation
- Integrated 20KV Surge Suppression (40KV for 347-480V)
- Special order Trunnion Adaptor allows installation on poles with a required 2 3/8" tenon (not included)
- 5 Year hassle-free limited warranty

SKU:	WATTAGE:	OUTPUT:	CCT:	CRI:	VOLTAGE:	REPLACES:
GKOSLG2510W27V50KBB44TR	510W	71,000 Lumens	5000K*	70	120-277V**	1,500W MH

*4000K and 5700K available upon request. **347-480V available upon request.

Dimensions



Included Accessories



Top Visor
Included black visor reduces glare while helping protect the fixture against damage.



Aiming Sight
Included aiming sight uses a narrow laser beam to help aim the fixture.

Mounting Accessories



Trunnion Adaptor
Special order bracket allows installation on poles with a required 2 3/8" tenon.

WALL MOUNT

SERIES GKOWM01

NON-CUTOFF WALL PACK

SERIES GKOWP08

Quick Facts

- 15W / 17W / 25W
- Up to 2,700 Lumens
- 5000K / 4000K*
- High Efficacy: Up to 121 LM/W
- Replaces: Up to 50W MH
- 120-277V Photocell Included



POWER & CCT TUNABLE
OPTIONS AVAILABLE

Quick Facts

- 30W / 40W / 65W / 90W / 100W / 125W
- Up to 15,400 Lumens
- 5000K / 4000K*
- High Efficacy: Up to 128 LM/W
- Replaces: Up to 400W MH
- Optional: 120-277V Photocell



Product Overview

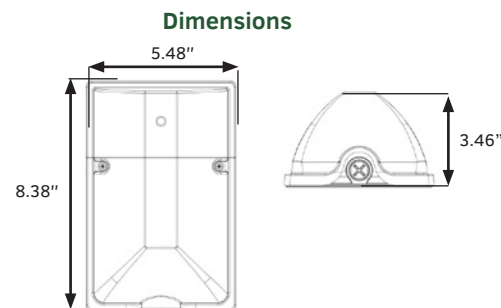
High performing Wall Mounts are an energy-efficient replacement for a traditional incandescent or metal halide wall mount, up to 50W MH. The Wall Mount is UL Wet Location Listed, making it ideal for outdoor applications, even in harsh weather. The Wall Mount's housing features a protective, rust-resistant powder coat finish and a durable die-cast aluminum housing with a highly functional design that maximizes heat dissipation, which ensures the unit's longevity.

Key Features

- Reliable operation in extreme temperatures (-40°F to 122°F / -40°C to 50°C)
- Easy Installation with an integrated bubble level
- Clear or Frosted Polycarbonate Optical Lens is impact-resistant and UV-resistant
- Optional integrated 120-277V Photocell turns the fixture on and off based on the amount of ambient light
- 5 Year hassle-free limited warranty

SKU:	WATTAGE:	LENS:	OUTPUT:	CCT:	CRI:	VOLTAGE:	REPLACES:
GKOWM15W27V50KDPO	15W	Clear	1,750 Lumens	5000K*	70	120-277V	100W Incandescent
GKOWM15W27V50KDPOF	15W	Frosted	1,820 Lumens	5000K*	70	120-277V	100W Incandescent
GKOWM17W27V50KDPO	17W	Clear	1,950 Lumens	5000K*	70	120-277V	120W Incandescent
GKOWM17W27V50KDPOF	17W	Frosted	2,000 Lumens	5000K*	70	120-277V	120W Incandescent
GKOWM25W27V50KDPO	25W	Clear	2,600 Lumens	5000K*	70	120-277V	50W MH
GKOWM25W27V50KDPOF	25W	Frosted	2,700 Lumens	5000K*	70	120-277V	50W MH

*4000K available upon request.



Energy Savings Accessories



Product Overview

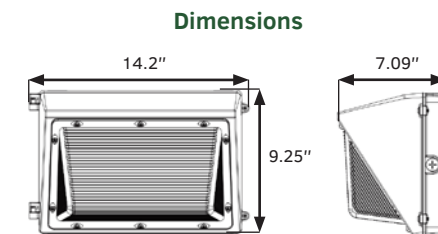
High performing, DLC Listed Non-Cutoff Wall Packs are an energy-efficient replacement for a traditional metal halide wall pack, up to 400W. The Non-Cutoff Wall Pack is designed to create well-lit, secure perimeters along pathways, building entryways, and walkways. It is also UL Wet Location Listed, making it ideal for outdoor applications. The Non-Cutoff Wall Pack features a protective, rust-resistant powder coat finish and durable die-cast aluminum housing.

Key Features

- Reliable operation in extreme temperatures (-40°F to 104°F / -40°C to 40°C)
- Power & CCT Tunable model available for 65W & 100W
- 1-10V Dimmable Control for customized lighting outputs
- Easy Installation with a convenient hinged door and integrated bubble level
- Optional 120-277V Photocell turns the fixture on or off based on the amount of ambient light
- 5 Year hassle-free limited warranty

SKU:	WATTAGE:	TYPE:	OUTPUT:	CCT:	CRI:	VOLTAGE:	REPLACES:
GKOWP0830W27V50KD	30W	Fixed	3,500 Lumens	5000K*	70	120-277V	100W MH
GKOWP0840W27V50KD	40W	Fixed	4,850 Lumens	5000K*	70	120-277V***	175W MH
GKOWP0865W27V50KD	65W	Fixed	7,900 Lumens	5000K*	70	120-277V***	250W MH
GKOWP0865W27VDDKD	65W	Tunable	7,900 Lumens	5000K**	70	120-277V	250W MH
GKOWP0890W27V50KD	90W	Fixed	10,800 Lumens	5000K*	70	120-277V***	320W MH
GKOWP08100W27VDDKD	100W	Tunable	11,600 Lumens	5000K**	70	120-277V	400W MH
GKOWP08125W27V50KD	125W	Fixed	15,400 Lumens	5000K*	70	120-277V***	400W MH

*4000K available upon request. **3000K and 4000K available using Power/CCT Adjustment controls. ***347-480V available by request.



Energy Savings Accessories



FULL CUTOFF WALL PACK

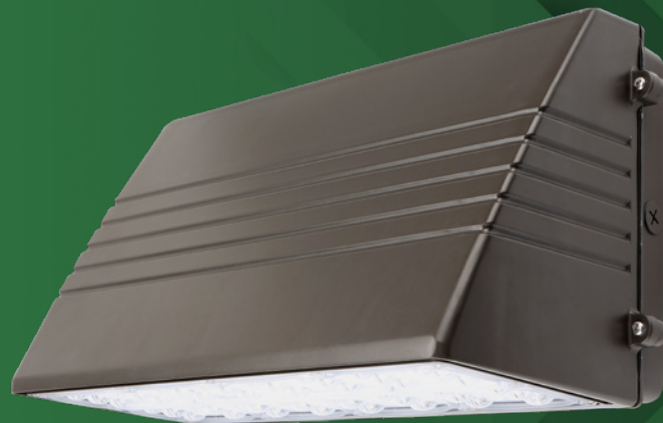
SERIES GKOWPG2

SLIM FULL CUTOFF WALL PACK

SERIES GKOWPG15

Quick Facts

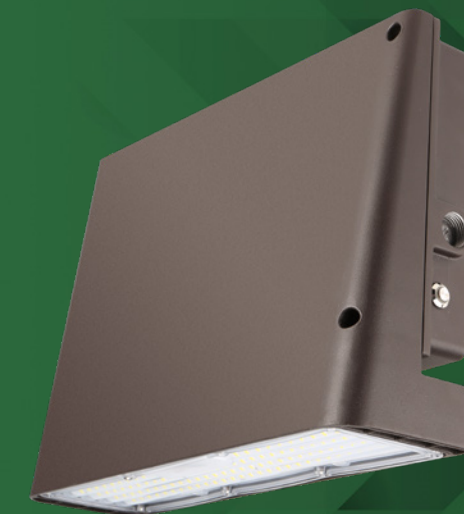
- 27W / 45W / 70W / 90W / 135W
- Up to 18,000 Lumens
- 5000K / 4000K*
- High Efficacy: Up to 147 LM/W
- Replaces: Up to 400W MH
- Optional: 120-277V Photocell



POWER & CCT TUNABLE
OPTIONS AVAILABLE

Quick Facts

- 26W / 38W / 65W / 100W / 135W
- Up to 20,000 Lumens
- 5000K / 4000K* / 3000K*
- High Efficacy: Up to 155 LM/W
- Replaces: Up to 400W MH
- Optional: 120-277V Photocell
- Optional: Emergency Battery Backup



Product Overview

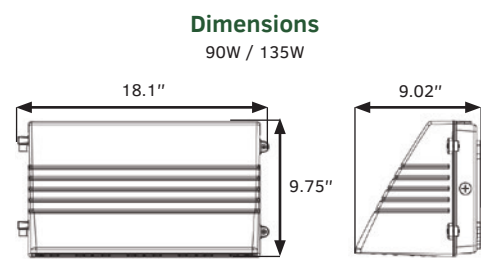
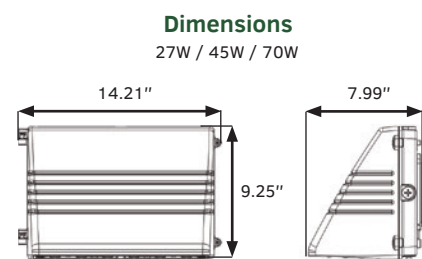
High performing, DLC Premium Full Cutoff Wall Packs are an energy-efficient replacement for a traditional metal halide wall pack, up to 400W. The Full Cutoff Wall Pack is ideal for parking areas, perimeter lighting, and security lighting. It is also UL Wet Location Listed, making it ideal for outdoor applications, even in harsh weather. The Full Cutoff Wall Pack features a protective, rust-resistant powder coat finish and durable die-cast aluminum housing, ensuring the unit's longevity.

Key Features

- Reliable operation in extreme temperatures (-40°F to 113°F / -40°C to 45°C)
- 1-10V Dimmable Control for customized lighting outputs
- Full cutoff design minimizes glare and light pollution
- Easy installation with a convenient hinged door and integrated bubble level
- Clear Polycarbonate Optical Lens is impact & UV resistant
- Optional 120-277V Photocell turns the fixture on or off based on the amount of ambient light
- 5 Year hassle-free limited warranty

SKU:	WATTAGE:	OUTPUT:	CCT:	CRI:	VOLTAGE:	REPLACES:
GKOWPG227W27V50KD	27W	4,100 Lumens	5000K*	70	120-277V	100W MH
GKOWPG245W27V50KD	45W	6,600 Lumens	5000K*	70	120-277V**	175W MH
GKOWPG270W27V50KD	70W	9,900 Lumens	5000K*	70	120-277V**	250W MH
GKOWPG290W27V50KD	90W	12,200 Lumens	5000K*	70	120-277V**	320W MH
GKOWPG2135W27V50KD	135W	18,000 Lumens	5000K*	70	120-277V**	400W MH

*4000K available upon request. **347-480V available upon request.



Energy Savings Accessories



Product Overview

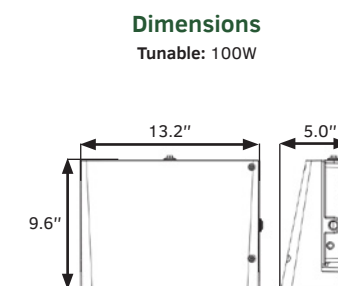
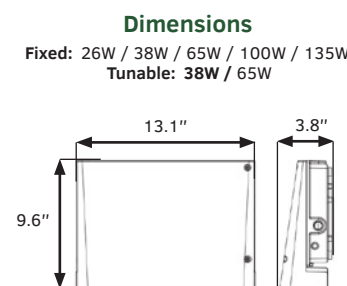
High performing, DLC Premium Slim Full Cutoff Wall Packs are an energy-efficient replacement for a traditional metal halide wall pack, up to 400W. It is also UL Wet Location Listed, making it ideal for outdoor applications. The Slim Full Cutoff Wall Pack features a protective, rust-resistant powder coat finish and durable die-cast aluminum housing, ensuring the unit's longevity.

Key Features

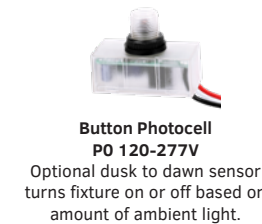
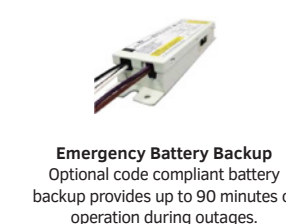
- Reliable operation in extreme temperatures (-40°F to 104°F / -40°C to 40°C)
- Power & CCT Tunable model available for 38W, 65W & 100W
- Full cutoff design minimizes glare and light pollution
- 0-10V Dimmable Control for customized lighting outputs
- Optional 120-277V Photocell & Emergency Battery Backup
- 5 Year hassle-free limited warranty

SKU:	WATTAGE:	TYPE:	OUTPUT:	CCT:	CRI:	VOLTAGE:	DLC:	REPLACES:
GKOWPG1526W27V50KD	26W	Fixed	3,900 Lumens	5000K**	70	120-277V	---	100W MH
GKOWPG1538W27V50KD	38W	Fixed	5,800 Lumens	5000K**	70	120-277V	---	175W MH
GKOWPG1538W27VDDKD	38W	Tunable	5,600 Lumens	5000K*	70	120-277V	Premium	175W MH
GKOWPG1565W27V50KD	65W	Fixed	9,800 Lumens	5000K**	70	120-277V***	---	250W MH
GKOWPG1565W27VDDKD	65W	Tunable	9,500 Lumens	5000K*	70	120-277V***	Premium	250W MH
GKOWPG15100W27V50KD	100W	Fixed	15,000 Lumens	5000K**	70	120-277V***	---	320W MH
GKOWPG15100W27VDDKD	100W	Tunable	14,800 Lumens	5000K*	70	120-277V***	Premium	320W MH
GKOWPG15135W27V50KD	135W	Fixed	20,000 Lumens	5000K**	70	120-277V	---	400W MH

*3000K and 4000K available using Power/CCT Adjustment controls. **3000K and 4000K available upon request. ***347-480V available upon request.



Optional Accessories



DUSK TO DAWN

SERIES GKODDG5

BOLLARD LIGHT

SERIES GKOBLO1

Quick Facts

- 45W / 65W / 90W
- Up to 12,400 Lumens
- 5000K / 4000K*
- High Efficacy: Up to 138 LM/W
- Replaces: Up to 250W MH
- 122-277V Photocell Included



CCT TUNABLE OPTION AVAILABLE

Quick Facts

- 26W
- 3,100 Lumens
- 5000K / 4000K*
- High Efficacy: 119 LM/W
- Replaces: 100W MH
- Optional: Emergency Battery Backup



Product Overview

High performing, DLC Listed Dusk to Dawn Lights are an energy-efficient replacement for a traditional metal halide dusk to dawn, up to 250W. The Dusk to Dawn Light's design is ideal for illumination of backyards and service roads, as well as providing general perimeter and security lighting. It is also UL Wet Location Listed, making it ideal for outdoor applications, even in harsh weather. The Dusk to Dawn Light features a protective, rust-resistant powder coat finish and durable die-cast aluminum housing, ensuring the unit's longevity.

Key Features

- Reliable operation in extreme temperatures (-40°F to 104°F / -40°C to 40°C)
- 1-10V Dimmable Control allows for customized lighting outputs
- Clear Polycarbonate Optical Lens is impact-resistant and UV-resistant
- Surface Mounting by default, or with optional Mounting Arm for increased reach
- Included 120-277V Photocell turns the fixture on or off based on the amount of ambient light
- 5 Year hassle-free limited warranty

SKU:	WATTAGE:	OUTPUT:	CCT:	CRI:	VOLTAGE:	REPLACES:
GKODDG545W27V50KSGP0	45W	6,200 Lumens	5000K*	70	120-277V	100W MH
GKODDG565W27V50KSGP0	65W	8,800 Lumens	5000K*	70	120-277V	175W MH
GKODDG590W27V50KSGP0	90W	12,400 Lumens	5000K*	70	120-277V	250W MH

*4000K available upon request.

Product Overview

High performing, DLC Premium Bollard Lights are an energy-efficient replacement for a traditional metal halide bollard light, up to 100W. The Bollard Light is ideal for outdoor applications requiring a light source with a low mounting height, such as building entryways, pathways, and pedestrian plazas. It features a protective, rust-resistant powder coat finish and durable, die-cast aluminum housing, ensuring the unit's longevity.

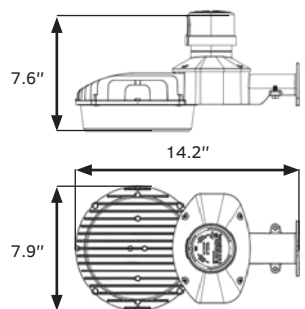
Key Features

- Reliable operation in extreme temperatures (-40°F to 113°F / -40°C to 45°C)
- CCT Tunable model available for customized light output
- Complete 360° illumination with no uplight for superior lighting control
- 1-10V Dimmable Control allows for customized lighting outputs
- Optional Emergency Battery Backup ensures lighting during outages
- Robust ground cage installation system for straightforward ground installation
- 5 Year hassle-free limited warranty

SKU:	WATTAGE:	OUTPUT:	CCT:	CRI:	VOLTAGE:	TYPE:	REPLACES:
GKOBLO126W27V50KD	26W	3,100 Lumens	5000K*	70	120-277V	Standard	100W MH
GKOBLO126W27VDDKD	26W	3,100 Lumens	5000K**	70	120-277V	CCT Tunable	100W MH

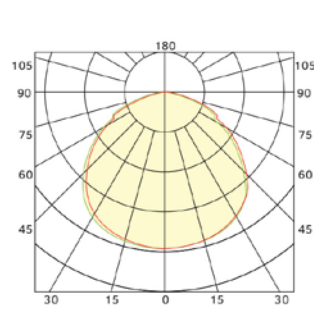
*4000K available upon request. **3000K and 4000K available using CCT Adjustment controls.

Dimensions

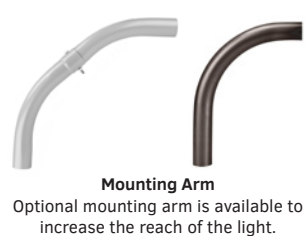


Photometric Performance

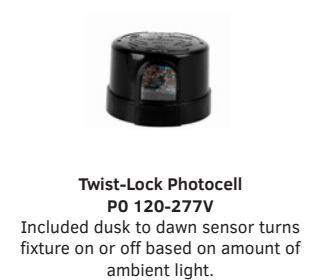
General Distribution



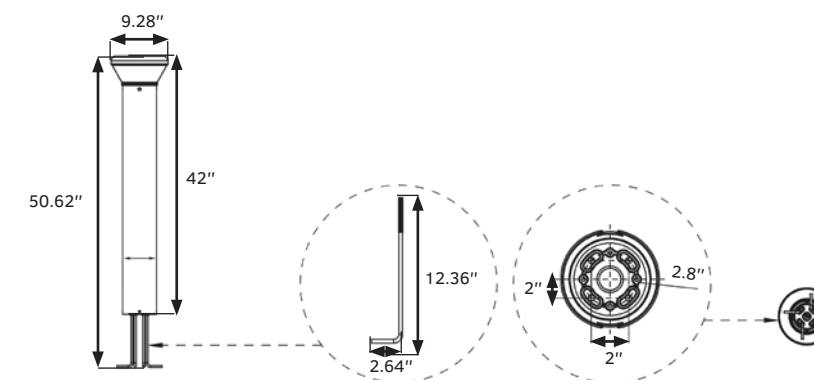
Mounting Accessories



Energy Savings Accessories



Dimensions



Special Order Accessories



Battery Backup



MINI FLOOD LIGHT

SERIES GKOFD03

Quick Facts

- 15W / 30W / 45W
- Up to 5,400 Lumens
- 5000K / 4000K* / 3000K*
- High Efficacy: Up to 120 LM/W
- Replaces: Up to 150W MH
- Wide light dispersion - over 130°



Product Overview

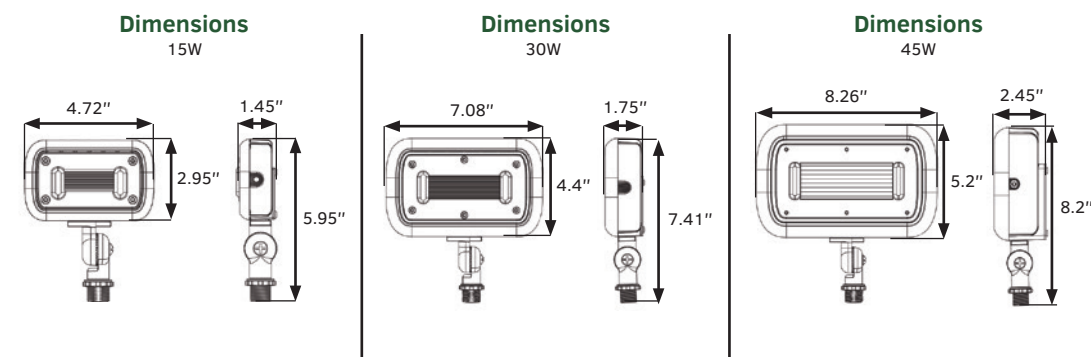
High performing Mini Flood Lights are an energy-efficient replacement for a traditional metal halide mini flood light, up to 150W. The Mini Flood Light's wide light beam and compact design is ideal for illumination of landscapes, parking lots, flagpoles, displays, building facades, and security lighting. It is also UL Wet Location Listed, making it ideal for outdoor applications, even in harsh weather. The Mini Flood Light features a protective, rust-resistant powder coat finish and durable die-cast aluminum housing, ensuring the unit's longevity. The two mounting options accommodate various mounting requirements.

Key Features

- Reliable operation in extreme temperatures (-40°F to 113°F / -40°C to 45°C)
- NEMA 7H*7V Wide Light Dispersion gives a horizontal and vertical beam over 130° wide
- Various color temperatures (3,000K / 4,000K / 5,000K) available for different lighting applications
- Easy installation with two mounting options – choice of trunnion mount or knuckle mount included
- Optional composite ABS plastic ground stake with 1/2" NPT thread for easy in-ground installation
- 5 Year hassle-free limited warranty

SKU:	WATTAGE:	OUTPUT:	CCT:	CRI:	VOLTAGE:	REPLACES:
GKOFD15W27V50KBDB77	15W	1,500 Lumens	5000K*	70	120-277V	50W MH
GKOFD30W27V50KBDB77	30W	3,000 Lumens	5000K*	70	120-277V	100W MH
GKOFD45W27V50KBDB77	45W	5,400 Lumens	5000K*	70	120-277V	150W MH

*3000K and 4000K available upon request.



2 Mounting Options



SPOTLIGHT

SERIES GKOFR01

Quick Facts

- 20W / 30W
- Up to 3,350 Lumens
- 5000K
- High Efficacy: Up to 125 LM/W
- Replaces: 100W MH
- Beam Angle: 20° / 44°



20° Beam Angle

44° Beam Angle

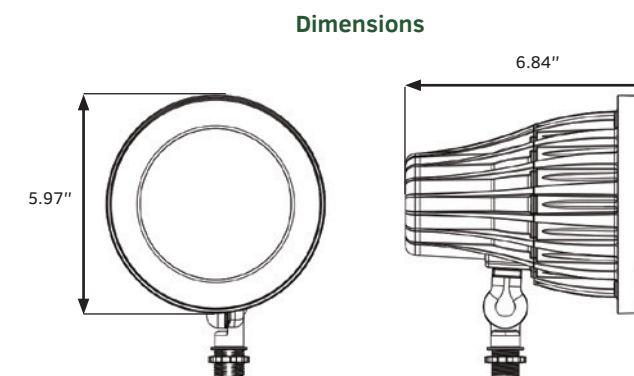
Product Overview

High performing Spotlights are an energy-efficient replacement for a traditional metal halide spotlight, up to 100W. The Spotlight is ideal for many commercial and residential outdoor applications such as landscaping and flagpoles. It is also UL Wet Location Listed, making it ideal for outdoor applications, even in harsh weather. The Spotlight features a protective, rust-resistant powder coat finish and durable die-cast aluminum housing, ensuring the unit's longevity.

Key Features

- Reliable operation in extreme temperatures (-40°F to 113°F / -40°C to 45°C)
- Tempered glass shatter-resistant lens
- Sealed lens and housing to keep out moisture and dust
- Available in two beam angles of 20° and 44° to meet the demand for long-distance and circular lighting
- 5 Year hassle-free limited warranty

SKU:	WATTAGE:	OUTPUT:	CCT:	CRI:	VOLTAGE:	BEAM ANGLE:	REPLACES:
GKOFR20W27V50KBDSFL	20W	2,500 Lumens	5000K	70	120-277V	20°	100W MH
GKOFR20W27V50KBDNFL	20W	2,500 Lumens	5000K	70	120-277V	44°	100W MH
GKOFR30W27V50KBDSFL	30W	3,350 Lumens	5000K	70	120-277V	20°	100W MH
GKOFR30W27V50KBDNFL	30W	3,350 Lumens	5000K	70	120-277V	44°	100W MH



LED PANEL

SERIES GKOPLG2

POWER & CCT TUNABLE
OPTIONS AVAILABLE

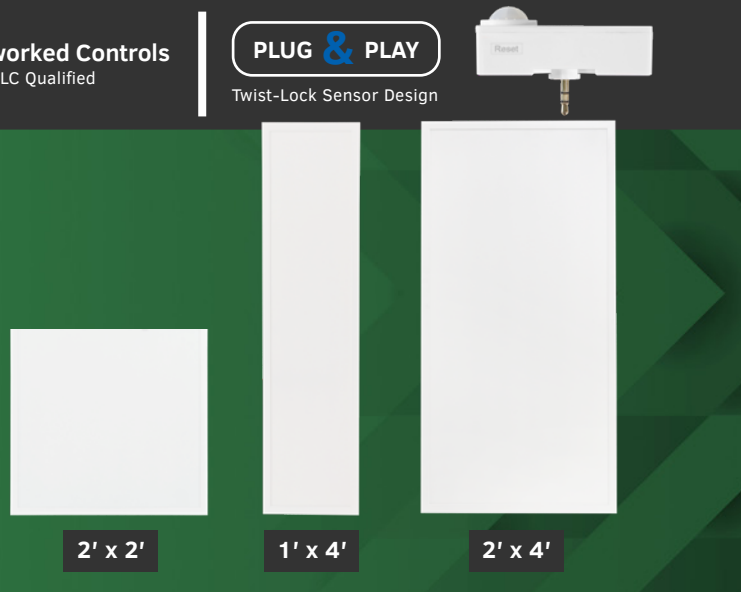
Bluetooth™ Networked Controls
DLC NLC Qualified

PLUG & PLAY

Twist-Lock Sensor Design

Quick Facts

- 2x2 / 1x4 / 2x4
- Up to 5,400 Lumens
- 5000K* / 4000K* / 3500K or 3400K
- High Efficacy: Up to 135 LM/W
- Optional: Multi-Level Motion Sensor
- Optional: Emergency Battery Backup



Product Overview

High performing DLC Premium LED Panels are an energy-efficient replacement for traditional fluorescent fixtures. The LED Panel is widely used in office, retail, and institutional settings. Optional Plug & Play Bluetooth Networked Controls are available for additional lighting capabilities, and Power & CCT Tunable options allow the lighting professional to adjust the lumen output and CCT during installation. The LED Panel is UL Damp Location Listed, making it ideal for settings where it may be exposed to moisture, and features a durable steel sheet and extruded aluminum housing that ensures the unit's longevity.

Key Features

- Reliable operation in extreme temperatures (-4°F to 122°F / -20°C to 50°C)
- Integrated 1KV Surge Protection
- Power & CCT tunable options, with 0-10V Dimmable Control that allows for customized lighting outputs
- Flicker-free driver with ≤10% stroboscopic index prevents flicker during the lighting and dimming process
- PS diffuser ensures comfortable light distribution with no glare or yellowing
- Optional Plug & Play Multi-Level Motion Sensor and Emergency Battery Backup
- 5 Year hassle-free limited warranty

**Ultra-Thin
1.4" Profile**

A slim 1.4" profile lowers shipping costs and simplifies installation.

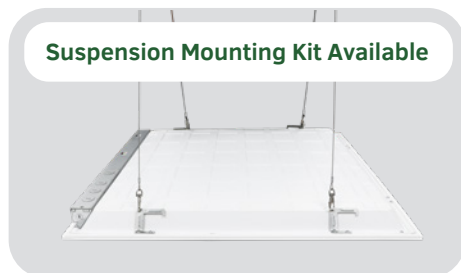
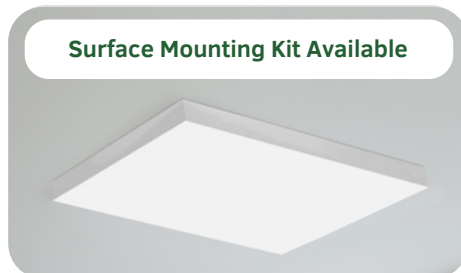
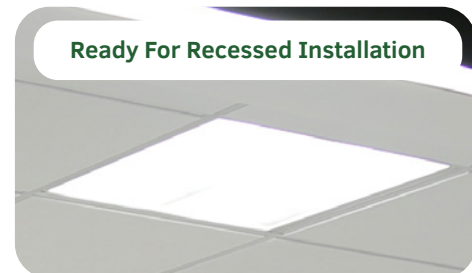
**Emergency
Battery Backup**

Optional code compliant battery backup provides up to 90 minutes of operation during outages.

Ready For Recessed Installation

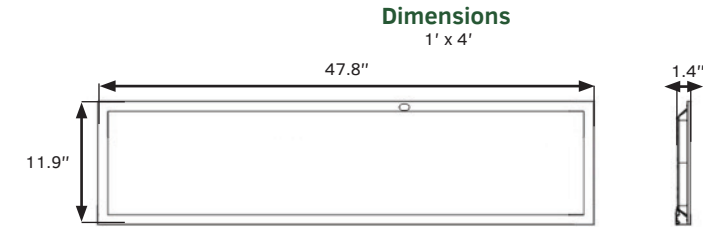
Surface Mounting Kit Available

Suspension Mounting Kit Available



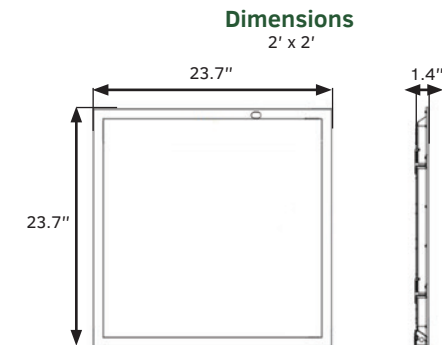
SKU:	WATTAGE:	POWER TUNABLE:	OUTPUT:	CCT:	CRI:	VOLTAGE:	SIZE:
GKOPLG214B25W27VPC	25W	Single Wattage	3,325 Lumens	3400K*	82	120-277V	1' x 4'
GKOPLG214B30W27VPC	30W	Single Wattage	3,870 Lumens	3400K*	82	120-277V	1' x 4'
GKOPLG214B40W27VPC	40W	Tunable	5,000 Lumens	3500K*	82	120-277V	1' x 4'

*4000K and 5000K available using Power/CCT Adjustment controls.



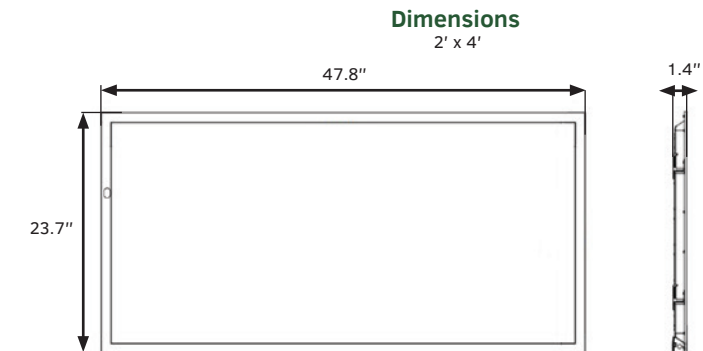
SKU:	WATTAGE:	POWER TUNABLE:	OUTPUT:	CCT:	CRI:	VOLTAGE:	SIZE:
GKOPLG222B20W27VPC	20W	Single Wattage	2,660 Lumens	3400K*	83	120-277V	2' x 2'
GKOPLG222B25W27VPC	25W	Single Wattage	3,225 Lumens	3400K*	83	120-277V	2' x 2'
GKOPLG222B30W27VPC	30W	Tunable	3,750 Lumens	3500K*	83	120-277V	2' x 2'

*4000K and 5000K available using Power/CCT Adjustment controls.



SKU:	WATTAGE:	POWER TUNABLE:	OUTPUT:	CCT:	CRI:	VOLTAGE:	SIZE:
GKOPLG224B25W27VPC	25W	Single Wattage	3,300 Lumens	3400K*	83	120-277V	2' x 4'
GKOPLG224B30W27VPC	30W	Single Wattage	3,840 Lumens	3400K*	83	120-277V	2' x 4'
GKOPLG224B40W27VPC	40W	Tunable	4,960 Lumens	3400K*	83	120-277V	2' x 4'

*4000K and 5000K available using Power/CCT Adjustment controls.



LED TROFFER

SERIES GKOTRG1

POWER & CCT TUNABLE
OPTIONS AVAILABLE

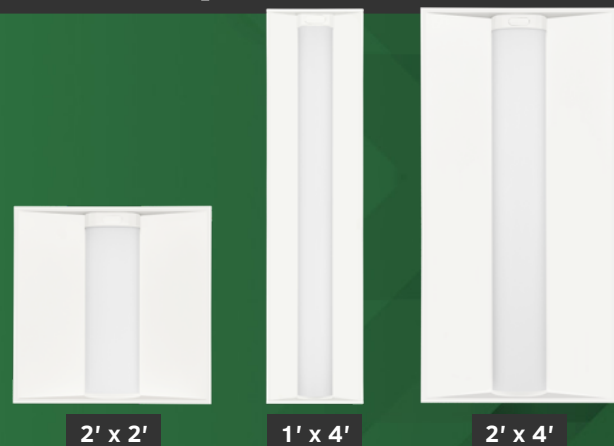
Bluetooth™ Networked Controls
DLC NLC Qualified

PLUG & PLAY

Sensor Design

Quick Facts

- 2x2 / 1x4 / 2x4
- Up to 5,850 Lumens
- 5000K* / 4000K* / 3500K
- High Efficacy: Up to 140LM/W
- Optional: Multi-Level Motion Sensor
- Optional: Emergency Battery Backup

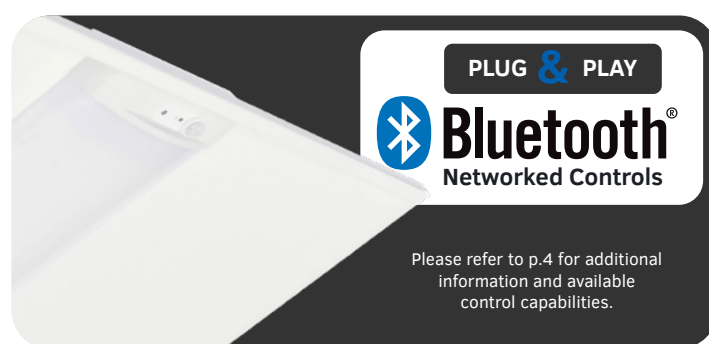


Product Overview

High performing DLC Listed LED Troffers are an energy-efficient replacement for traditional fluorescent fixtures. The LED Troffer is widely used in office, retail, and institutional settings with suspended grid or recessed ceilings. Power & CCT Tunable options allow the lighting professional to adjust the lumen output and CCT during installation. The LED Troffer is UL Damp Location Listed, making it ideal for settings where it may be exposed to moisture, and features a durable steel sheet and extruded aluminum housing that ensures the unit's longevity.

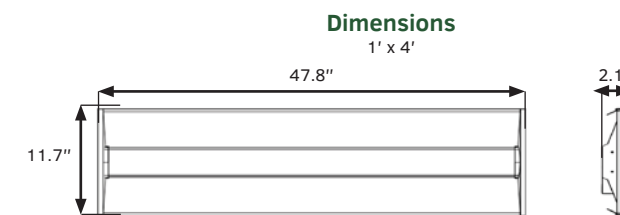
Key Features

- Reliable operation in extreme temperatures (-4°F to 122°F / -20°C to 50°C)
- Integrated 1KV Surge Protection
- Power & CCT tunable options, with 0-10V Dimmable Control that allows for customized lighting outputs
- Flicker-free driver with ≤10% stroboscopic index prevents flicker during the lighting and dimming process
- Optional Plug & Play Multi-Level Motion Sensor and Emergency Battery Backup
- 5 Year hassle-free limited warranty



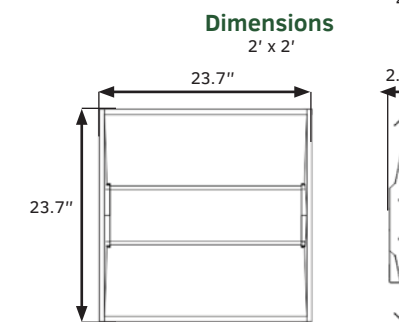
SKU:	WATTAGE:	POWER TUNABLE:	OUTPUT:	CCT:	CRI:	VOLTAGE:	SIZE:
GKOTRG114D20W27VDDK	20W	Single Wattage	2,600 Lumens	3500K*	84	120-277V	1' x 4'
GKOTRG114D25W27VDDK	25W	Single Wattage	3,250 Lumens	3500K*	84	120-277V	1' x 4'
GKOTRG114D25W27VDDK	30W	Tunable	3,900 Lumens	3500K*	82	120-277V	1' x 4'

*4000K and 5000K available using Power/CCT or CCT Adjustment controls.



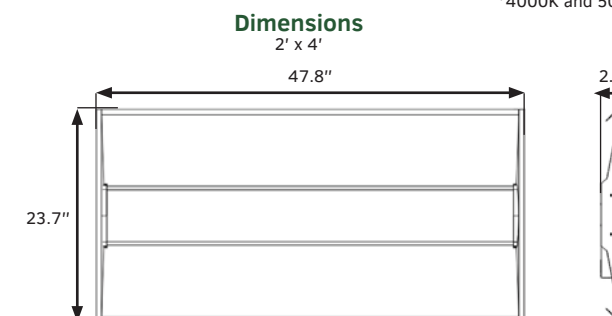
SKU:	WATTAGE:	POWER TUNABLE:	OUTPUT:	CCT:	CRI:	VOLTAGE:	SIZE:
GKOTRG122D20W27VDDK	20W	Single Wattage	2,800 Lumens	3500K*	83	120-277V	2' x 2'
GKOTRG122D25W27VDDK	25W	Single Wattage	3,375 Lumens	3500K*	83	120-277V	2' x 2'
GKOTRG122D30W27VDDK	30W	Tunable	3,900 Lumens	3500K*	83	120-277V	2' x 2'
GKOTRG122D35W27VDDK	35W	Single Wattage	4,620 Lumens	3500K*	82	120-277V	2' x 2'
GKOTRG122D40W27VDDK	40W	Tunable	5,200 Lumens	3500K*	82	120-277V	2' x 2'

*4000K and 5000K available using Power/CCT or CCT Adjustment controls.



SKU:	WATTAGE:	POWER TUNABLE:	OUTPUT:	CCT:	CRI:	VOLTAGE:	SIZE:
GKOTRG124D25W27VDDK	25W	Single Wattage	3,450 Lumens	3500K*	82	120-277V	2' x 4'
GKOTRG124D30W27VDDK	30W	Single Wattage	4,020 Lumens	3500K*	82	120-277V	2' x 4'
GKOTRG124D34W27VDDK	34W	Single Wattage	4,760 Lumens	3500K*	83	120-277V	2' x 4'
GKOTRG124D35W27VDDK	35W	Tunable	4,550 Lumens	3500K*	82	120-277V	2' x 4'
GKOTRG124D38W27VDDK	38W	Single Wattage	5,130 Lumens	3500K	83	120-277V	2' x 4'
GKOTRG124D45W27VDDK	45W	Tunable	5,850 Lumens	3500K*	83	120-277V	2' x 4'

*4000K and 5000K available using Power/CCT or CCT Adjustment controls.



LINEAR HIGH BAY

SERIES GKOMLHG7

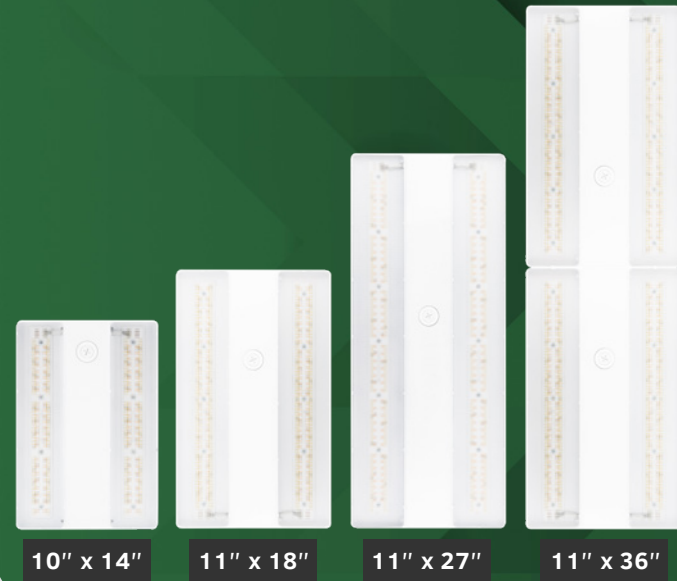


PLUG & PLAY
Twist-Lock Sensor Design



Quick Facts

- 78W / 96W / 104W / 123W / 128W / 130W / 150W / 160W / 164W / 180W / 200W / 205W / 240W / 246W / 250W / 300W / 328W / 410W
- Up to 60,600 Lumens
- 5000K / 4000K*
- High Efficacy: Up to 161 LM/W
- Replaces: Up to 22 F54T5 or 26 F32T8
- Optional: Multi-Level Motion Sensor
- Optional: Emergency Battery Backup



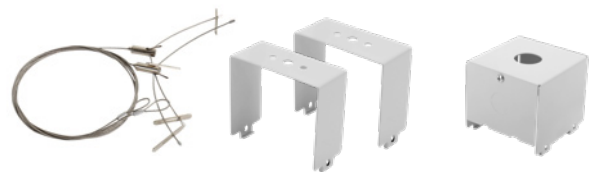
Product Overview

High performing, DLC Premium Linear High Bays are an energy-efficient replacement for traditional T5 or T8 fixtures with mounting heights ranging from 15' to 45', up to 22 F54T5 or 26 F32T8. The Linear High Bay is widely used in warehouses, workshops, convention centers, gymnasiums, factories, and other industrial and commercial indoor areas. It is also UL Damp Location Listed, making it ideal for commercial settings with moisture. The Linear High Bay features a protective, rust-resistant powder coat finish and durable die-cast aluminum housing, ensuring the unit's longevity.

Key Features

- Reliable operation in extreme temperatures (-40°F to 122°F / -40°C to 50°C)
- Power & CCT Adjustment Controls optional
- Integrated 6KV Surge Protection, meeting the industrial ANSI standards
- 0-10V Dimmable Control allows for customized lighting outputs
- Optional Plug & Play Bluetooth Networked Controls offer advanced lighting capabilities
- Optional Plug & Play Multi-Level Motion Sensor gives greater control for additional energy savings
- Optional Emergency Battery Backup ensures lighting during outages
- 5 Year hassle-free limited warranty

3 Convenient Mounting Options

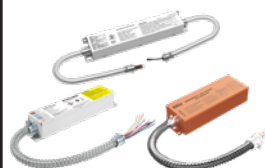


Steel Mounting Cable
A heavy-duty steel cable is included to accommodate chain mounting.

Surface Mounting Brackets
An optional set of surface mounting brackets accommodate direct surface mounting.

Pendant Hanger
An optional pendant hanger includes everything needed to accommodate pendant mounting.

Battery Backup



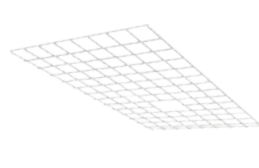
Emergency Battery Backup
Optional code compliant battery backup provides up to 90 minutes of operation during outages.

Energy Savings Accessories



Multi-Level Motion Sensor AN-6-4T / ANT-6-4T-BLE-SR (Plug & Play Bluetooth Networked Controls)
Optional Plug & Play multi-level motion sensor allows even greater energy savings.

Special Order Accessories



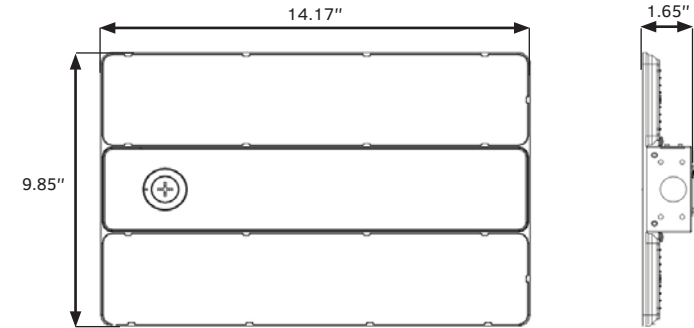
Wire Guard
Optional wire guard protects the fixture lens against impact.

SKU:	WATTAGE:	POWER TUNABLE:	OUTPUT:	CCT:	CRI:	VOLTAGE:	SIZE:	REPLACES:
GKOMLHG778W27VDDKWPD	78W	Single Wattage	12,100 Lumens	5000K*	80	120-277V**	10" x 14"	(4) F54T5, (6) F32T8, or 400 HID
GKOMLHG7104W27VDDKWPD	104W	Single Wattage	15,200 Lumens	5000K*	80	120-277V**	10" x 14"	(4) F54T5, (6) F32T8, or 400 HID
GKOMLHG7130W27VDDKWPD	130W	Tunable	18,500 Lumens	5000K*	80	120-277V**	10" x 14"	(4) F54T5, (6) F32T8, or 400 HID

*4000K available using Power/CCT or CCT Adjustment controls. **347-480V available upon request.

Dimensions

78W / 104W / 130W

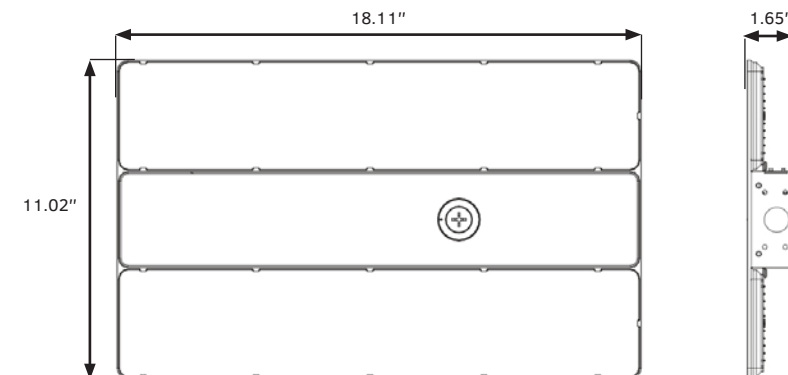


SKU:	WATTAGE:	POWER TUNABLE:	OUTPUT:	CCT:	CRI:	VOLTAGE:	SIZE:	REPLACES:
GKOMLHG796W27VDDKWPD	96W	Single Wattage	15,500 Lumens	5000K*	80	120-277V**	11" x 18"	(4) F54T5, (6) F32T8, or 400W HID
GKOMLHG7123W27VDDKWPD	123W	Single Wattage	19,500 Lumens	5000K*	80	120-277V**	11" x 18"	(4) F54T5, (6) F32T8, or 400W HID
GKOMLHG7128W27VDDKWPD	128W	Single Wattage	20,000 Lumens	5000K*	80	120-277V**	11" x 18"	(4) F54T5, (6) F32T8, or 400W HID
GKOMLHG7160W27VDDKWPD	160W	Tunable	24,100 Lumens	5000K*	80	120-277V**	11" x 18"	(6) F54T5, (8) F32T8
GKOMLHG7164W27VDDKWPD	164W	Single Wattage	25,000 Lumens	5000K*	80	120-277V**	11" x 18"	(6) F54T5, (8) F32T8
GKOMLHG7205W27VDDKWPD	205W	Tunable	30,500 Lumens	5000K*	80	120-277V**	11" x 18"	(8) F54T5, (12) F32T8

*4000K available using Power/CCT or CCT Adjustment controls. **347-480V available upon request.

Dimensions

96W / 123W / 128W / 160W / 164W / 205W



LINEAR HIGH BAY

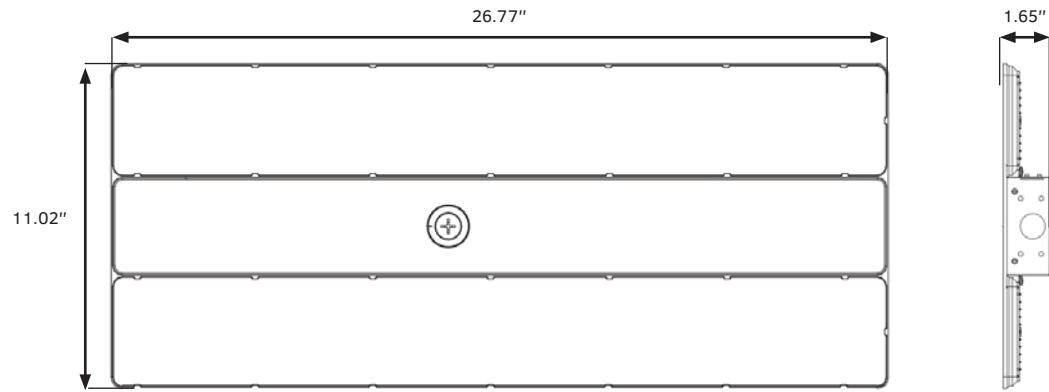
SERIES GKOMLHG7

SKU:	WATTAGE:	POWER TUNABLE:	OUTPUT:	CCT:	CRI:	VOLTAGE:	SIZE:	REPLACES:
GKOMLHG7150W27VDDKWP	150W	Single Wattage	24,000 Lumens	5000K*	80	120-277V**	11" x 27"	(6) F54T5, (8) F32T8
GKOMLHG7180W27VDDKWP	180W	Single Wattage	28,000 Lumens	5000K*	80	120-277V**	11" x 27"	(6) F54T5, (8) F32T8
GKOMLHG7200W27VDDKWP	200W	Single Wattage	30,200 Lumens	5000K*	80	120-277V**	11" x 27"	(8) F54T5, (12) F32T8
GKOMLHG7240W27VDDKWP	240W	Single Wattage	36,000 Lumens	5000K*	80	120-277V**	11" x 27"	(8) F54T5, (12) F32T8
GKOMLHG7250W27VDDKWP	250W	Tunable	36,100 Lumens	5000K*	80	120-277V**	11" x 27"	(12) F54T5, (18) F32T8
GKOMLHG7300W27VDDKWP	300W	Tunable	42,000 Lumens	5000K*	80	120-277V**	11" x 27"	(18) F54T5, (20) F32T8

*4000K available using Power/CCT or CCT Adjustment controls. **347-480V available upon request.

Dimensions

90W / 130W

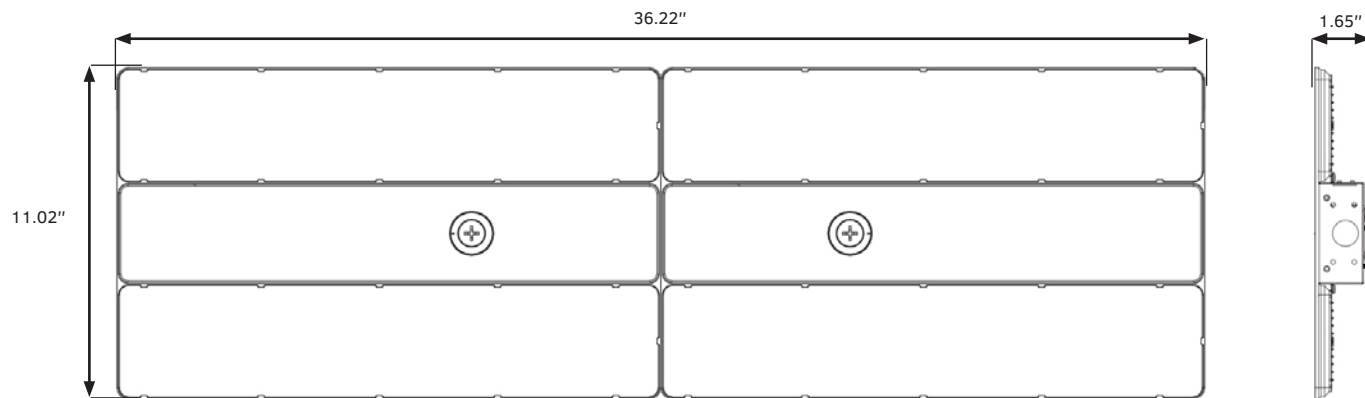


SKU:	WATTAGE:	POWER TUNABLE:	OUTPUT:	CCT:	CRI:	VOLTAGE:	SIZE:	REPLACES:
GKOMLHG7246W27VDDKWP	246W	Single Wattage	38,400 Lumens	5000K*	80	120-277V**	11" x 36"	(12) F54T5, (18) F32T8
GKOMLHG7328W27VDDKWP	328W	Single Wattage	50,000 Lumens	5000K*	80	120-277V**	11" x 36"	(18) F54T5, (20) F32T8
GKOMLHG7410W27VDDKWP	410W	Tunable	60,600 Lumens	5000K*	80	120-277V**	11" x 36"	(22) F54T5, (26) F32T8

*4000K available using Power/CCT or CCT Adjustment controls. **347-480V available upon request.

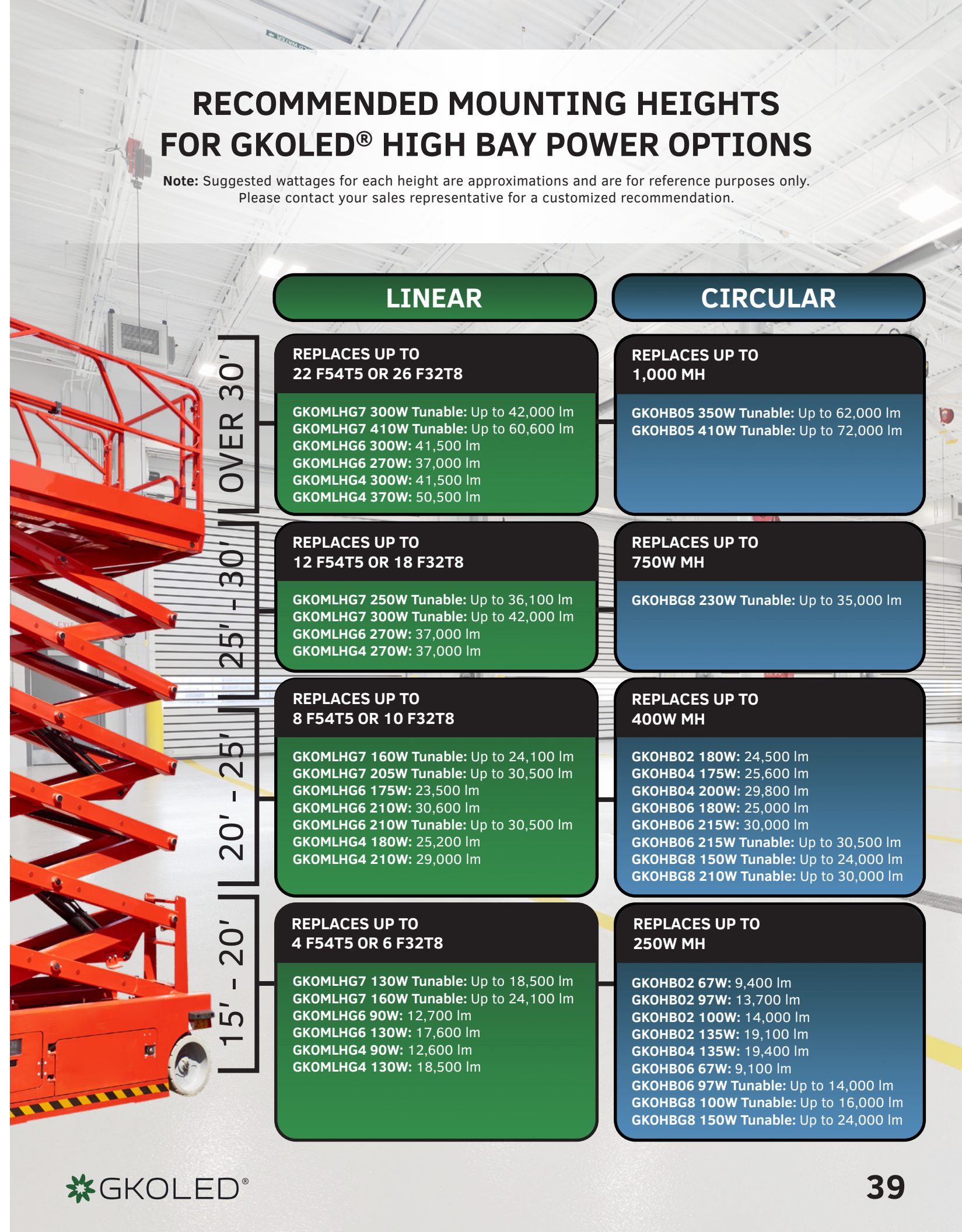
Dimensions

B130W / 180W / 210W



RECOMMENDED MOUNTING HEIGHTS FOR GKOLED® HIGH BAY POWER OPTIONS

Note: Suggested wattages for each height are approximations and are for reference purposes only. Please contact your sales representative for a customized recommendation.



LINEAR

CIRCULAR

OVER 30'
25' - 30'
20' - 25'
15' - 20'

REPLACES UP TO 22 F54T5 OR 26 F32T8

GKOMLHG7 300W Tunable: Up to 42,000 lm
 GKOMLHG7 410W Tunable: Up to 60,600 lm
 GKOMLHG6 300W: 41,500 lm
 GKOMLHG6 270W: 37,000 lm
 GKOMLHG4 300W: 41,500 lm
 GKOMLHG4 370W: 50,500 lm

REPLACES UP TO 1,000 MH

GKOHBO5 350W Tunable: Up to 62,000 lm
 GKOHB05 410W Tunable: Up to 72,000 lm

REPLACES UP TO 12 F54T5 OR 18 F32T8

GKOMLHG7 250W Tunable: Up to 36,100 lm
 GKOMLHG7 300W Tunable: Up to 42,000 lm
 GKOMLHG6 270W: 37,000 lm
 GKOMLHG4 270W: 37,000 lm

REPLACES UP TO 750W MH

GKOHBG8 230W Tunable: Up to 35,000 lm

REPLACES UP TO 8 F54T5 OR 10 F32T8

GKOMLHG7 160W Tunable: Up to 24,100 lm
 GKOMLHG7 205W Tunable: Up to 30,500 lm
 GKOMLHG6 175W: 23,500 lm
 GKOMLHG6 210W: 30,600 lm
 GKOMLHG6 210W Tunable: Up to 30,500 lm
 GKOMLHG4 180W: 25,200 lm
 GKOMLHG4 210W: 29,000 lm

REPLACES UP TO 400W MH

GKOHBO2 180W: 24,500 lm
 GKOHB04 175W: 25,600 lm
 GKOHB04 200W: 29,800 lm
 GKOHB06 180W: 25,000 lm
 GKOHB06 215W: 30,000 lm
 GKOHB06 215W Tunable: Up to 30,500 lm
 GKOHBG8 150W Tunable: Up to 24,000 lm
 GKOHBG8 210W Tunable: Up to 30,000 lm

REPLACES UP TO 4 F54T5 OR 6 F32T8

GKOMLHG7 130W Tunable: Up to 18,500 lm
 GKOMLHG7 160W Tunable: Up to 24,100 lm
 GKOMLHG6 90W: 12,700 lm
 GKOMLHG6 130W: 17,600 lm
 GKOMLHG4 90W: 12,600 lm
 GKOMLHG4 130W: 18,500 lm

REPLACES UP TO 250W MH

GKOHBO2 67W: 9,400 lm
 GKOHB02 97W: 13,700 lm
 GKOHB02 100W: 14,000 lm
 GKOHB02 135W: 19,100 lm
 GKOHB04 135W: 19,400 lm
 GKOHB06 67W: 9,100 lm
 GKOHB06 97W Tunable: Up to 14,000 lm
 GKOHBG8 100W Tunable: Up to 16,000 lm
 GKOHBG8 150W Tunable: Up to 24,000 lm

LINEAR HIGH BAY

SERIES GKOMLHG6

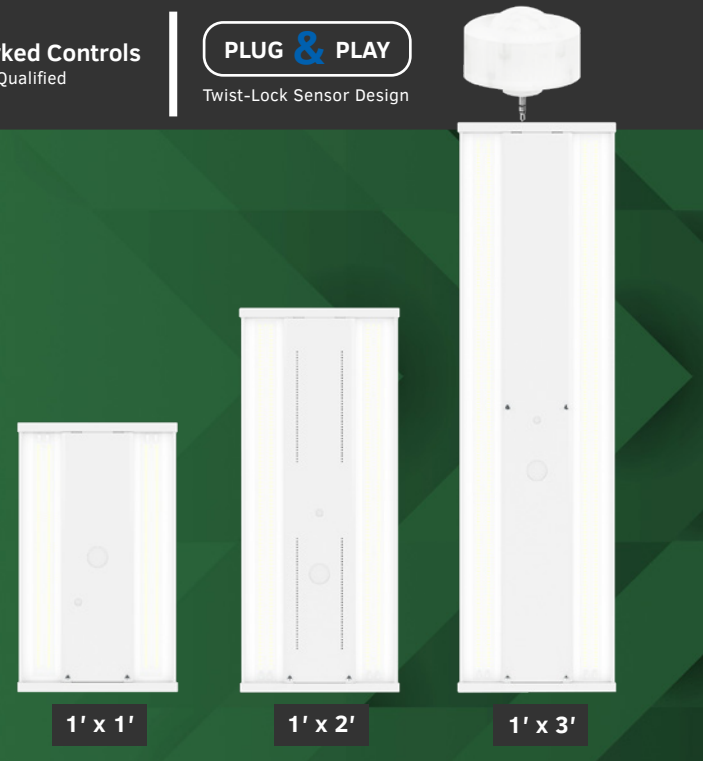
POWER & CCT TUNABLE
OPTIONS AVAILABLE

Bluetooth™ Networked Controls
DLC NLC Qualified

PLUG & PLAY
Twist-Lock Sensor Design

Quick Facts

- 90W / 130W / 175W / 210W / 270W / 300W
- Up to 40,000 Lumens
- 5000K / 4000K*
- High Efficacy: Up to 145 LM/W
- Replaces: Up to 16 F54T5 or 18 F32T8
- Optional: Multi-Level Motion Sensor
- Optional: Emergency Battery Backup



Product Overview

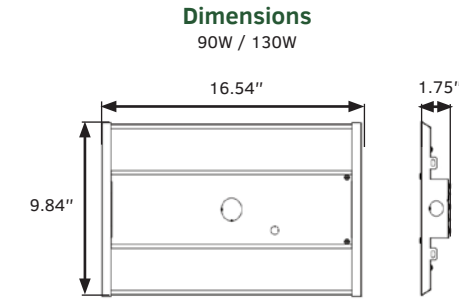
High performing, DLC Premium Linear High Bays are an energy-efficient replacement for traditional T5 or T8 fixtures with mounting heights ranging from 10' to 24', up to 16 F54T5 or 18 F32T8. The Linear High Bay is widely used in warehouses, workshops, convention centers, gymnasiums, factories and other industrial and commercial indoor areas. It is also UL Damp Location Listed, making it ideal for commercial settings with moisture. The Linear High Bay features a protective, rust-resistant powder coat finish and advanced thermal management aluminum alloy housing, ensuring the unit's longevity.

Key Features

- Reliable operation in extreme temperatures (-40°F to 131°F / -40°C to 55°C)
- Power & CCT Tunable model available for 210W
- 1-10V Dimmable Control allows for customized lighting outputs
- Optional Multi-Level Motion Sensor gives greater control for additional energy savings
 - Simple Plug & Play Multi-Level Motion Sensor available for 210W Power & CCT Tunable model
- Optional Emergency Battery Backup ensures lighting during outages
- 5 Year hassle-free limited warranty

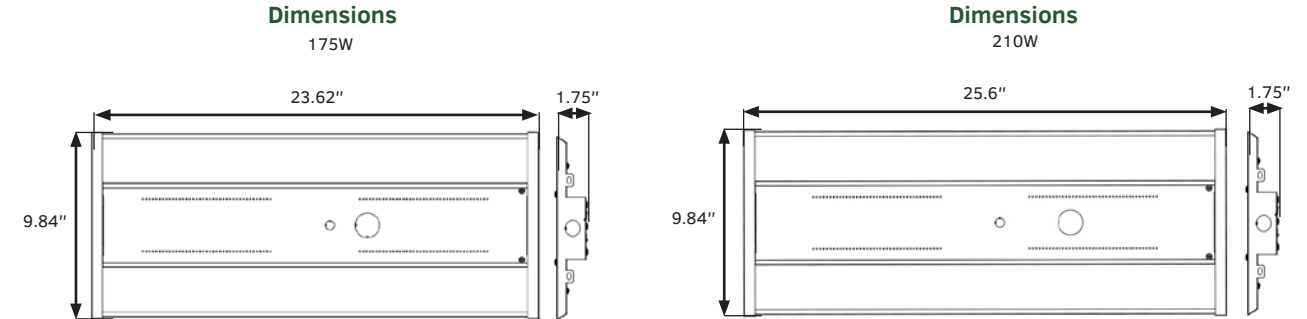
SKU:	WATTAGE:	OUTPUT:	CCT:	CRI:	VOLTAGE:	TYPE:	SIZE:	REPLACES:
GKOMLHG690W27V50KPD	90W	12,500 Lumens	5000K*	70	120-277V**	Fixed	1' x 1'	(3) F54T5, (4) F32T8 or 250W HID
GKOMLHG6130W27V50KPD	130W	17,600 Lumens	5000K*	70	120-277V**	Fixed	1' x 1'	(4) F54T5, (6) F32T8 or 400W HID

*4000K available upon request. **347-480V available upon request.



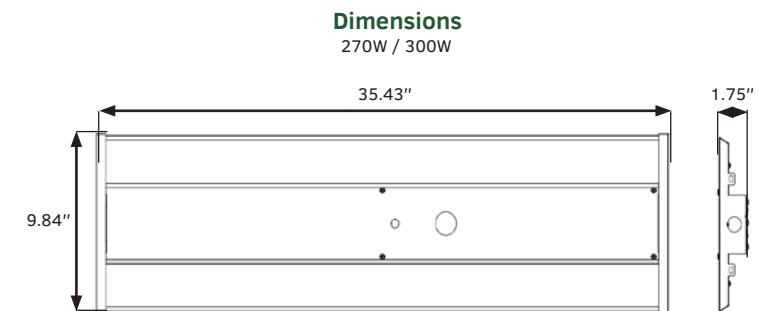
SKU:	WATTAGE:	OUTPUT:	CCT:	CRI:	VOLTAGE:	TYPE:	SIZE:	REPLACES:
GKOMLHG6175W27V50KPD	175W	23,500 Lumens	5000K*	70	120-277V***	Fixed	1' x 2'	(6) F54T5 or (8) F32T8
GKOMLHG6210W27V50KPD	210W	30,500 Lumens	5000K*	70	120-277V***	Fixed	1' x 2'	(8) F54T5 or (10) F32T8
GKOMLHG6210W27VDDKCD	210W	30,500 Lumens	5000K**	70	120-277V***	Tunable	1' x 2'	(8) F54T5 or (10) F32T8

*4000K available upon request. **4000K available using Power/CCT Adjustment controls. ***347-480V available upon request.



SKU:	WATTAGE:	OUTPUT:	CCT:	CRI:	VOLTAGE:	TYPE:	SIZE:	REPLACES:
GKOMLHG6270W27V50KPD	270W	38,000 Lumens	5000K*	70	120-277V**	Fixed	1' x 3'	(12) F54T5 or (14) F32T8
GKOMLHG6300W27V50KPD	300W	40,000 Lumens	5000K*	70	120-277V**	Fixed	1' x 3'	(16) F54T5 or (18) F32T8

*4000K available upon request. **347-480V available upon request.

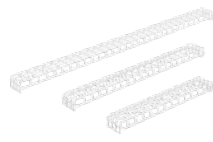


2 Convenient Mounting Options



Steel Mounting Cable or Pendant Hanger
A heavy duty steel cable is included to accommodate chain mounting, and an optional pendant hanger is available by special order.

Special Order Accessories



Wire Guard
Optional wire guard protects the fixture lens against impact.

Battery Backup



Emergency Battery Backup
Optional code compliant battery backup provides up to 90 minutes of operation during outages.

Energy Savings Accessories



Multi-Level Motion Sensor
BRI823 / BRI820 (90W 480V) / ANT-6-4T (215W Tunable) / ANT-6-4T-BLE-SR (Plug & Play Bluetooth Networked Controls)
Optional multi-level motion sensor allows even greater energy savings.

Bluetooth™
Networked Controls

Please refer to p.4 for additional information and available control capabilities.

LINEAR HIGH BAY

SERIES GKOMLHG4



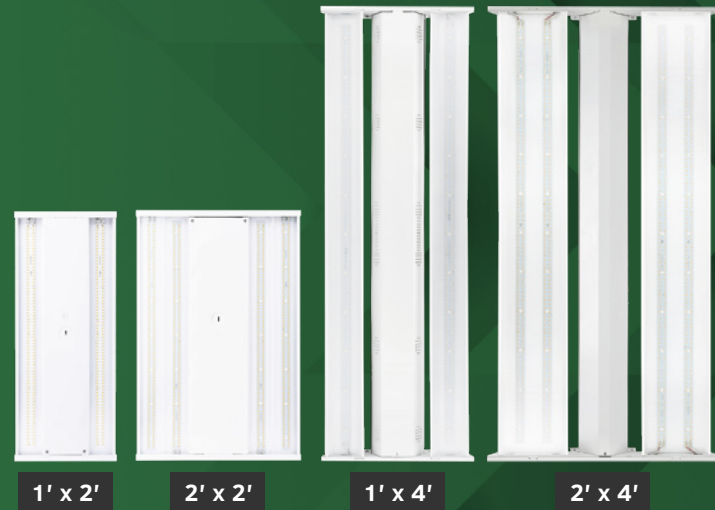
INTEGRATED

Sensor Design



Quick Facts

- 90W / 130W / 180W / 210W / 270W / 300W / 370W
- Up to 50,500 Lumens
- 5000K / 4000K*
- High Efficacy: Up to 142 LM/W
- Replaces: Up to 20 F54T5 or 24 F32T8
- Optional: Multi-Level Motion Sensor
- Optional: Emergency Battery Backup



Product Overview

High performing, DLC Premium Linear High Bays are an energy-efficient replacement for traditional T5 or T8 fixtures with mounting heights ranging from 15' to 60', up to 20 F54T5 or 24 F32T8. The Linear High Bay is widely used in warehouses, workshops, convention centers, gymnasiums, factories, and other industrial and commercial indoor areas. It is also UL Damp Location Listed, making it ideal for commercial settings with moisture. The Linear High Bay features a protective, rust-resistant powder coat finish and durable cold-rolled steel housing, ensuring the unit's longevity.

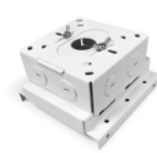
Key Features

- Reliable operation in extreme temperatures (-40°F to 131°F / -40°C to 55°C)
- Integrated 6KV Surge Protection, meeting the industrial ANSI standards
- 1-10V Dimmable Control allows for customized lighting outputs
- Optional Multi-Level Motion Sensor gives greater control for additional energy savings
- Optional Emergency Battery Backup ensures lighting during outages
- 5 Year hassle-free limited warranty

2 Convenient Mounting Options



Steel Mounting Cable
A heavy-duty steel cable is included to accommodate chain mounting.



Pendant Hanger (Unavailable For 1x2)
An optional pendant hanger includes everything needed to accommodate pendant mounting.

Battery Backup



Emergency Battery Backup
Optional code compliant battery backup provides up to 90 minutes of operation during outages.

Energy Savings Accessories



Multi-Level Motion Sensor BR1823 / BR1823-B-D-BLE-SR (Bluetooth Networked Controls)
Optional multi-level motion sensor allows even greater energy savings.

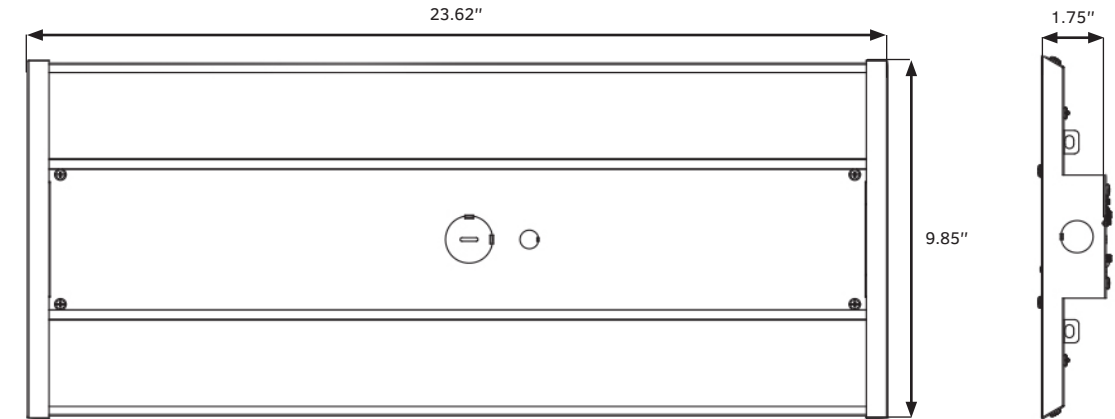


Please refer to p.4 for additional information and available control capabilities.

SKU:	WATTAGE:	OUTPUT:	CCT:	CRI:	VOLTAGE:	SIZE:	REPLACES:
GKOMLHG490W27V50KCD	90W	12,600 Lumens	5000K*	80	120-277V**	1' x 2'	(3) F54T5, (4) F32T8, or 250 HID
GKOMLHG4130W27V50KCD	130W	18,500 Lumens	5000K*	80	120-277V**	1' x 2'	(4) F54T5, (6) F32T8, or 400W HID

*4000K available upon request. **347-480V available upon request.

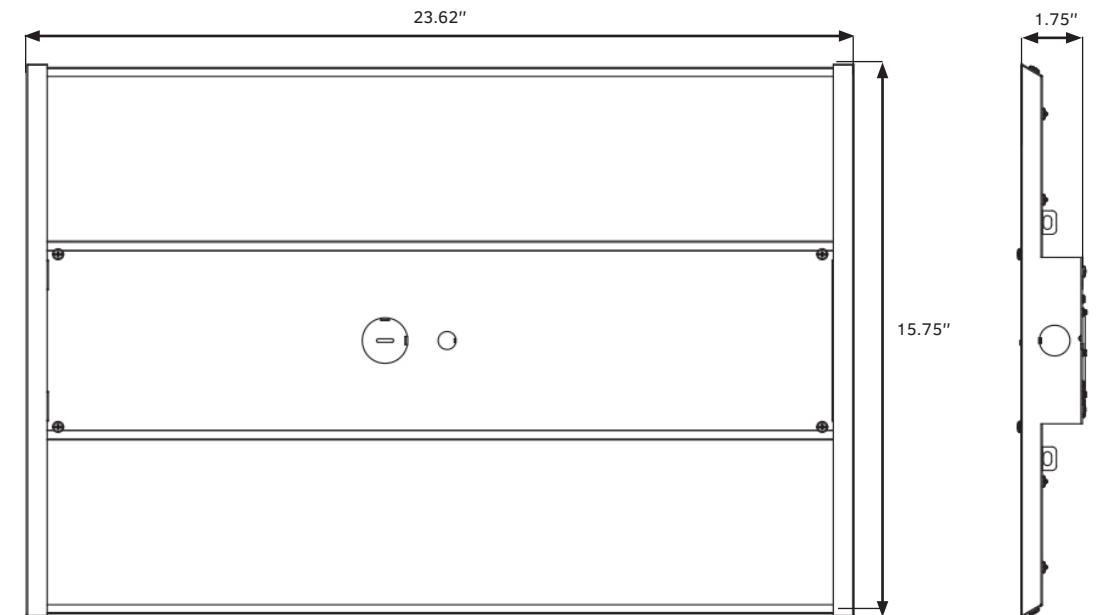
Dimensions



SKU:	WATTAGE:	OUTPUT:	CCT:	CRI:	VOLTAGE:	SIZE:	REPLACES:
GKOMLHG4B130W27V50KCD	130W	18,500 Lumens	5000K*	80	120-277V**	2' x 2'	(4) F54T5, (6) F32T8, or 400W HID
GKOMLHG4180W27V50KCD	180W	25,200 Lumens	5000K*	80	120-277V**	2' x 2'	(6) F54T5 or (8) F32T8
GKOMLHG4210W27V50KCD	210W	29,000 Lumens	5000K*	80	120-277V**	2' x 2'	(8) F54T5 or (10) F32T8

*4000K available upon request. **347-480V available upon request.

Dimensions



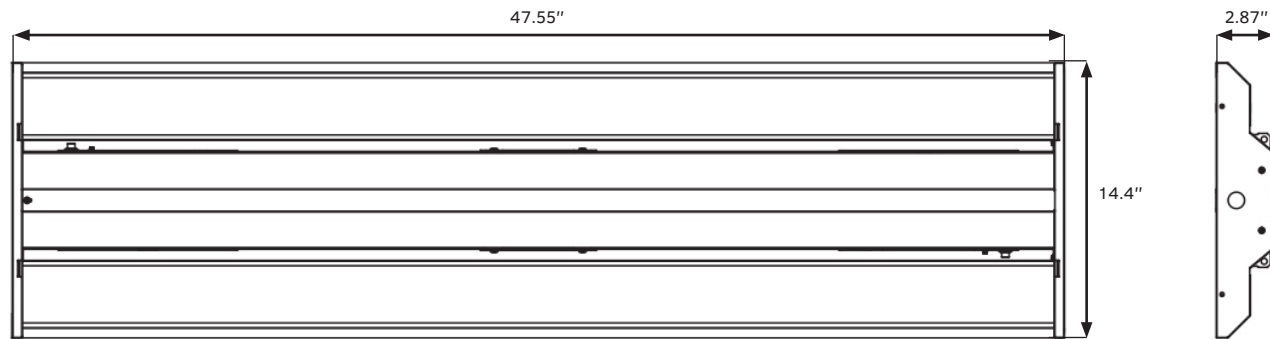
LINEAR HIGH BAY

SERIES GKOMLHG4

SKU:	WATTAGE:	OUTPUT:	CCT:	CRI:	VOLTAGE:	SIZE:	REPLACES:
GKOMLHG4L130W27V50KCD	130W	18,500 Lumens	5000K*	80	120-277V**	1' x 4'	(4) F54T5, (6) F32T8, or 400W HID
GKOMLHG4L180W27V50KCD	180W	24,000 Lumens	5000K*	80	120-277V**	1' x 4'	(6) F54T5 or (8) F32T8
GKOMLHG4L210W27V50KCD	210W	29,000 Lumens	5000K*	80	120-277V**	1' x 4'	(8) F54T5 or (10) F32T8

*4000K available upon request. **347-480V available upon request.

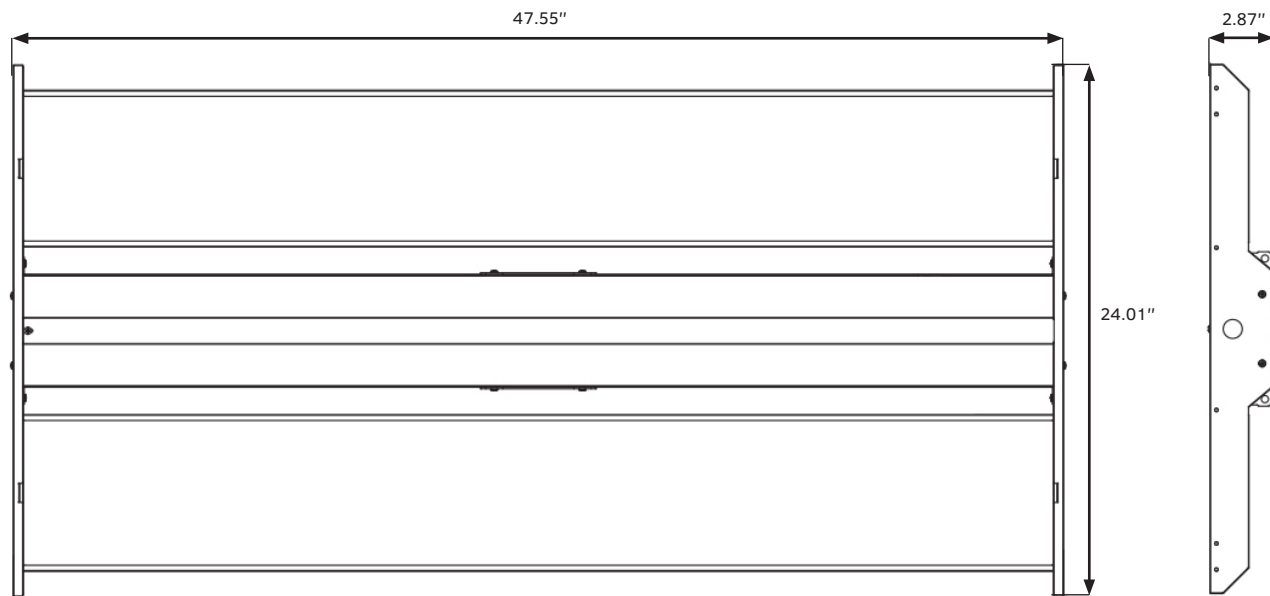
Dimensions
L130W / L180W / L210W



SKU:	WATTAGE:	OUTPUT:	CCT:	CRI:	VOLTAGE:	SIZE:	REPLACES:
GKOMLHG4270W27V50KCD	270W	37,000 Lumens	5000K*	80	120-277V**	2' x 4'	(12) F54T5 or (14) F32T8
GKOMLHG4300W27V50KCD	300W	41,500 Lumens	5000K*	80	120-277V**	2' x 4'	(16) F54T5 or (18) F32T8
GKOMLHG4370W27V50KCD	370W	50,500 Lumens	5000K*	80	120-277V**	2' x 4'	(20) F54T5 or (24) F32T8

*4000K available upon request. **347-480V available upon request.

Dimensions
270W / 300W / 370W



CIRCULAR HIGH BAY

SERIES GKOHBO2

Quick Facts

- 67W / 97W / 100W / 140W / 180W
- Up to 24,500 Lumens
- 5000K / 4000K*
- High Efficacy: Up to 141 LM/W
- Replaces: Up to 400W MH
- Optional: Multi-Level Motion Sensor
- Optional: Emergency Battery Backup



Product Overview

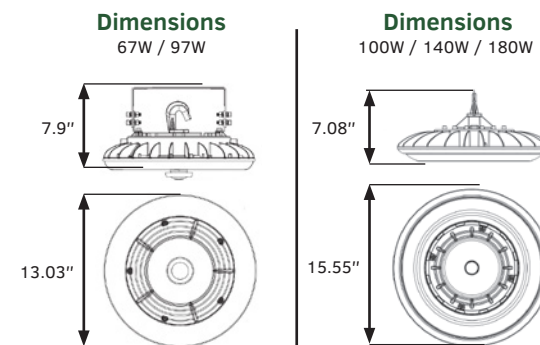
High performing Circular High Bays are an energy-efficient replacement for a traditional metal halide high bay, up to 400W. The Circular High Bay is designed primarily for lighting in industrial, retail, and institutional settings, and is UL Wet Location Listed. The Circular High Bay features a protective, rust-resistant powder coat finish and durable die-cast aluminum housing with a highly functional design that maximizes heat dissipation, ensuring the unit's longevity.

Key Features

- Reliable operation in extreme temperatures (-40°F to 131°F / -40°C to 55°C)
- Integrated 6KV Surge Protection, meeting the industrial ANSI standards
- 1-10V Dimmable Control allows for customized lighting outputs
- Optional center-mounted, integrated Multi-Level Motion Sensor and Emergency Battery Backup available
- 5 Year hassle-free limited warranty

SKU:	WATTAGE:	OUTPUT:	CCT:	CRI:	VOLTAGE:	REPLACES:
GKOHBO267W27V50KW	67W	9,400 Lumens	5000K*	70	120-277V	175W MH
GKOHBO297W27V50KW	97W	13,700 Lumens	5000K*	70	120-277V	250W MH
GKOHBO2100W27V50KW	100W	14,000 Lumens	5000K*	70	120-277V	250W MH
GKOHBO2140W27V50KW	140W	19,100 Lumens	5000K*	70	120-277V**	250W MH
GKOHBO2180W27V50KW	180W	24,500 Lumens	5000K*	70	120-277V**	400W MH

*4000K available upon request. **347-480V available upon request.



INDOOR

INDOOR

CIRCULAR HIGH BAY

SERIES GKOHB04

Quick Facts

- 135W / 175W / 200W
- Up to 29,800 Lumens
- 5000K / 4000K*
- High Efficacy: Up to 149 LM/W
- Replaces: Up to 400W MH
- Optional: Multi-Level Motion Sensor
- Optional: Emergency Battery Backup



Product Overview

High performing, DLC Premium Circular High Bays are an energy-efficient replacement for a traditional metal halide high bay, up to 400W. The Circular High Bay is designed primarily for lighting in industrial, retail, and institutional settings. It is also UL Wet Location Listed, making it ideal for industrial locations where fixtures may be exposed to moisture. The Circular High Bay features a protective, rust-resistant powder coat finish and a durable die-cast aluminum housing with a highly functional design that maximizes heat dissipation, which ensures the unit's longevity.

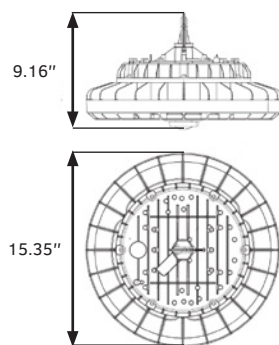
Key Features

- Reliable operation in extreme temperatures (-40°F to 131°F / -40°C to 55°C)
- Integrated 6KV Surge Protection, meeting the industrial ANSI standards
- 1-10V Dimmable Control allows for customized lighting outputs
- Optional Aluminum Reflector provides a more focused light distribution
- Optional center-mounted, integrated Multi-Level Motion Sensor gives greater control for additional energy savings
- 5 Year hassle-free limited warranty

SKU:	WATTAGE:	OUTPUT:	CCT:	CRI:	VOLTAGE:	REPLACES:
GKOHB04135W27V50KD	135W	19,400 Lumens	5000K*	70	120-277V**	250W MH
GKOHB04175W27V50KD	175W	25,600 Lumens	5000K*	70	120-277V**	320W MH
GKOHB04200W27V50KD	200W	29,800 Lumens	5000K*	70	120-277V**	400W MH

*4000K available upon request. **347-480V available upon request.

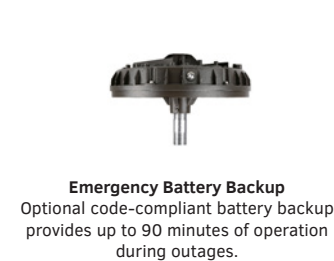
Dimensions



2 Mounting Options



Battery Backup



Energy Savings Accessories



CIRCULAR HIGH BAY

SERIES GKOHB05

POWER TUNABLE
OPTIONS INCLUDED

Bluetooth™ Networked Controls
DLC NLC Qualified

PLUG & PLAY
Twist-Lock Sensor Design



Quick Facts

- 350W / 410W
- Up to 72,000 Lumens
- 5000K / 4000K*
- High Efficacy: Up to 177 LM/W
- Replaces: Up to 1,000W MH
- Optional: Multi-Level Motion Sensor



Product Overview

High performing, high power DLC Premium Circular High Bays are an energy-efficient replacement for a traditional metal halide high bay, up to 1,000W, featuring a high lumen output of up to 72,000 lumens. For additional lighting capabilities, optional convenient Plug & Play Bluetooth Networked Controls are available. The Circular High Bay is designed primarily for lighting in industrial, retail, and institutional settings. It is also UL Wet Location Listed, making it ideal for industrial locations where fixtures may be exposed to moisture. The Circular High Bay features a protective, rust-resistant powder coat finish and a durable die-cast aluminum housing with a highly functional design that maximizes heat dissipation.

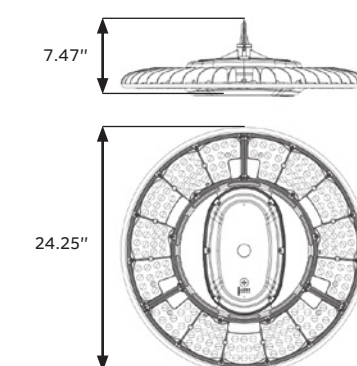
Key Features

- Reliable operation in extreme temperatures (-40°F to 131°F / -40°C to 55°C) when above 300W and (-40°F to 149°F / -40°C to 65°C) when below 300W
- Power Adjustment Controls are included
- Integrated 6KV Surge Protection, meeting the industrial ANSI standards, additional 20KV (40KV for 480V) Surge Protection optional
- 0-10V Dimmable Control allows for customized lighting outputs
- Optional center-mounted, Plug & Play Multi-Level Motion Sensor gives greater control for additional energy savings
- 5 Year hassle-free limited warranty

SKU:	WATTAGE:	OUTPUT:	CCT:	CRI:	VOLTAGE:	REPLACES:
GKOHB05350W27V50KDAD	350W	62,000 Lumens	5000K*	70	120-277V**	750W MH
GKOHB05410W27V50KDAD	410W	72,000 Lumens	5000K*	70	120-277V**	1,000W MH

*4000K available upon request. **347-480V available upon request.

Dimensions



2 Mounting Options



Energy Savings Accessories



CIRCULAR HIGH BAY

SERIES GKOHB06

POWER & CCT TUNABLE
OPTIONS AVAILABLE

Bluetooth™ Networked Controls
DLC NLC Qualified

PLUG & PLAY
Twist-Lock Sensor Design



Quick Facts

- 67W / 97W / 140W / 180W / 215W
- Up to 30,300 Lumens
- 5000K / 4000K*
- High Efficacy: Up to 168 LM/W
- Replaces: Up to 400W MH
- Optional: Multi-Level Motion Sensor
- Optional: Emergency Battery Backup



Product Overview

High performing, DLC Listed Circular High Bays are an energy-efficient replacement for a traditional metal halide high bay, up to 400W. The Circular High Bay is designed primarily for lighting in industrial, retail, and institutional settings. It is also UL Wet Location Listed, making it ideal for industrial locations where fixtures may be exposed to moisture. The Circular High Bay features a protective, rust-resistant powder coat finish and a durable die-cast aluminum housing with a highly functional design that maximizes heat dissipation, which ensures the unit's longevity. The multiple mounting options accommodate various mounting requirements.

Key Features

- Reliable operation in extreme temperatures (-40°F to 122°F / -40°C to 50°C)
- Power & CCT Tunable model available for 97W & 215W
- Integrated 6KV Surge Protection
- 67W, 140W: 1-10V Dimmable, 97W, 180W, 215: 0-10V Dimmable
- Easy installation with three mounting options – hook mounting, pendant mounting, or surface mounting with optional Adjustable Surface Mounting Bracket
- Optional center-mounted Multi-Level Motion Sensor gives greater control for additional energy savings
- Optional Emergency Battery Backup ensures lighting during outages
- 5 Year hassle-free limited warranty

3 Mounting Options



Energy Savings Accessories



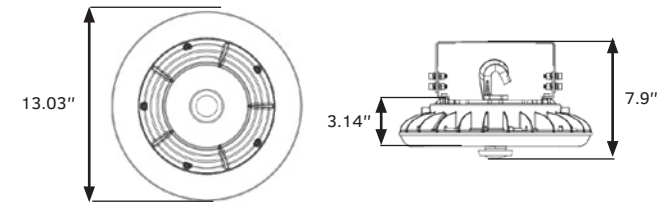
Battery Backup



SKU:	WATTAGE:	TYPE:	OUTPUT:	CCT:	CRI:	VOLTAGE:	REPLACES:
GKOHB0667W27V50KB	67W	Fixed	9,100 Lumens	5000K*	80	120-277V	175W MH

*4000K available upon request.

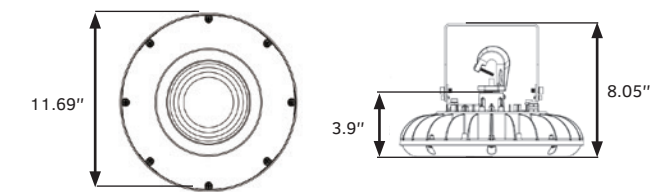
Dimensions Fixed: 67W



SKU:	WATTAGE:	TYPE:	OUTPUT:	CCT:	CRI:	VOLTAGE:	REPLACES:
GKOHB0697W27VDDKB	97W	Tunable	14,000 Lumens	5000K*	70	120-277V	175W MH

*4000K available using Power & CCT Adjustment Dial.

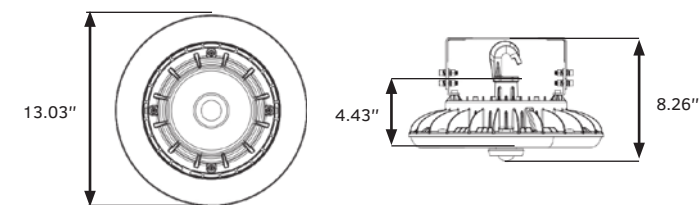
Dimensions Tunable: 97W



SKU:	WATTAGE:	TYPE:	OUTPUT:	CCT:	CRI:	VOLTAGE:	REPLACES:
GKOHB06140W27V50KB	140W	Fixed	17,500 Lumens	5000K*	80	120-277V**	250W MH

*4000K available upon request. **347-480V available upon request.

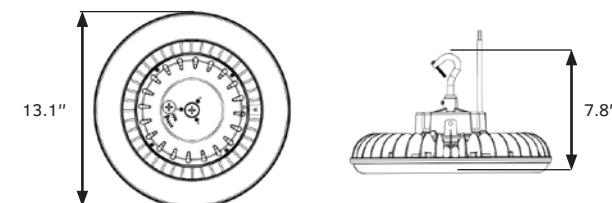
Dimensions Fixed: 140W



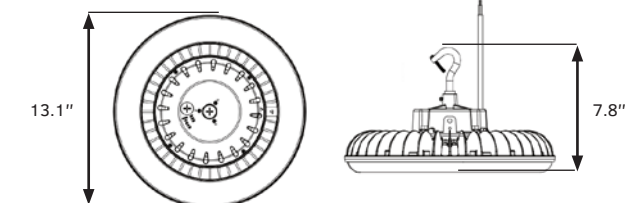
SKU:	WATTAGE:	TYPE:	OUTPUT:	CCT:	CRI:	VOLTAGE:	REPLACES:
GKOHB06180W27V50KB	180W	Fixed	25,000 Lumens	5000K**	80	120-277V	400W MH
GKOHB06215W27V50KB	215W	Fixed	30,000 Lumens	5000K**	80	120-277V	400W MH
GKOHB06215W27VDDKB	215W	Tunable	30,500 Lumens	5000K*	70	120-277V	400W MH

*4000K available using Power & CCT Adjustment controls. **4000K available upon request.

Dimensions Fixed: 180W / 215W



Dimensions Tunable: 215W



CIRCULAR HIGH BAY

SERIES GKOHBG8

POWER & CCT TUNABLE
OPTIONS AVAILABLE

Bluetooth™ Networked Controls
DLC NLC Qualified

PLUG & PLAY
Twist-Lock Sensor Design



Quick Facts

- 60W / 80W / 90W / 100W / 120W / 138W / 150W / 184W / 210W / 230W
- Up to 35,000 Lumens
- 5000K / 4000K* / 3000K*
- High Efficacy: Up to 167LM/W
- Replaces: Up to 750W MH
- Optional: Multi-Level Motion Sensor
- Optional: Emergency Battery Backup



Product Overview

High performing, DLC Premium Circular High Bays are an energy-efficient replacement for a traditional metal halide high bay, up to 750W. The Circular High Bay is designed primarily for lighting in industrial, retail, and institutional settings. It is also UL Wet Location Listed, making it ideal for industrial locations where fixtures may be exposed to moisture. The Circular High Bay features a protective, rust-resistant powder coat finish and a durable die-cast aluminum housing with a highly functional design that maximizes heat dissipation, which ensures the unit's longevity. The multiple mounting options accommodate various mounting requirements.

Key Features

- Reliable operation in extreme temperatures (-40°F to 122°F / -40°C to 50°C)
- Power & CCT Adjustment Controls optional
- Integrated 6KV Surge Protection
- 0-10V Dimmable Control
- Easy installation with three mounting options – hook mounting, pendant mounting, or surface mounting with optional Adjustable Surface Mounting Bracket
- Optional center-mounted, Plug & Play Multi-Level Motion Sensor gives greater control for additional energy savings
- Optional Emergency Battery Backup ensures lighting during outages
- 5 Year hassle-free limited warranty

3 Mounting Options



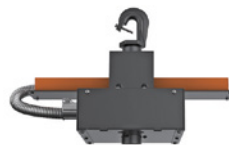
- Hook Mount**
Included hook mount features an anti-shedding screw for added security.
- Pendant Mount**
A 3/4" conduit entry point ensures easy pendant installation.
- Surface Mounting**
Optional Adjustable Surface Mounting Bracket allows precise aiming of fixture.

Energy Savings Accessories



Multi-Level Motion Sensor AN-6-4T / ANT-6-4T-BLE-SR (Plug & Play Bluetooth Networked Controls)
Optional Plug & Play multi-level motion sensor allows even greater energy savings.

Battery Backup



Emergency Battery Backup
Optional code compliant battery backup provides up to 90 minutes of operation during outages.

Bluetooth™
Networked Controls

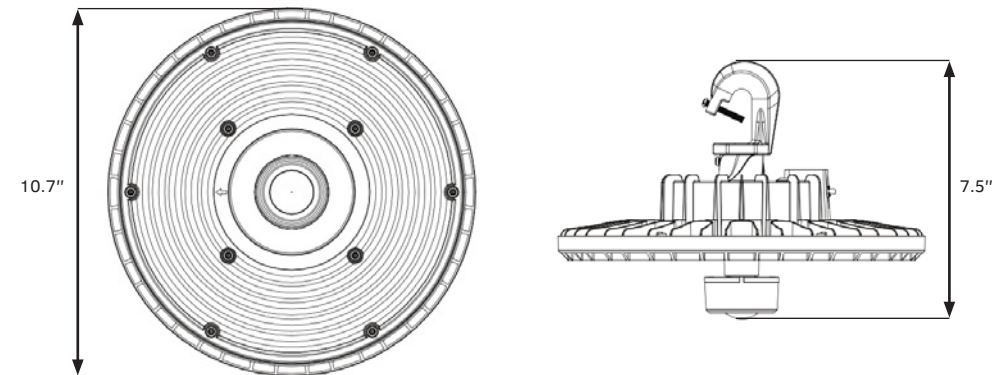
Please refer to p.4 for additional information and available control capabilities.

SKU:	WATTAGE:	POWER TUNABLE:	OUTPUT:	CCT:	CRI:	VOLTAGE:	REPLACES:
GKOHBG860W27VDDKB2	60W	Single Wattage	10,000 Lumens	5000K*	70	120-277V	250W MH
GKOHBG880W27VDDKB2	80W	Single Wattage	13,000 Lumens	5000K*	70	120-277V	250W MH
GKOHBG890W27VDDKB2	90W	Single Wattage	15,500 Lumens	5000K*	70	120-277V	250W MH
GKOHBG8100W27VDDKBAD2	100W	Tunable	16,000 Lumens	4000K**	70	120-277V	250W MH
GKOHBG8120W27VDDKB2	120W	Single Wattage	20,000 Lumens	5000K*	70	120-277V	250W MH
GKOHBG8150W27VDDKBAD2	150W	Tunable	24,000 Lumens	4000K**	70	120-277V	250W MH

*4000K available using CCT Adjustment controls. **5000K available using Power & CCT Adjustment controls.

Dimensions

100W / 150W

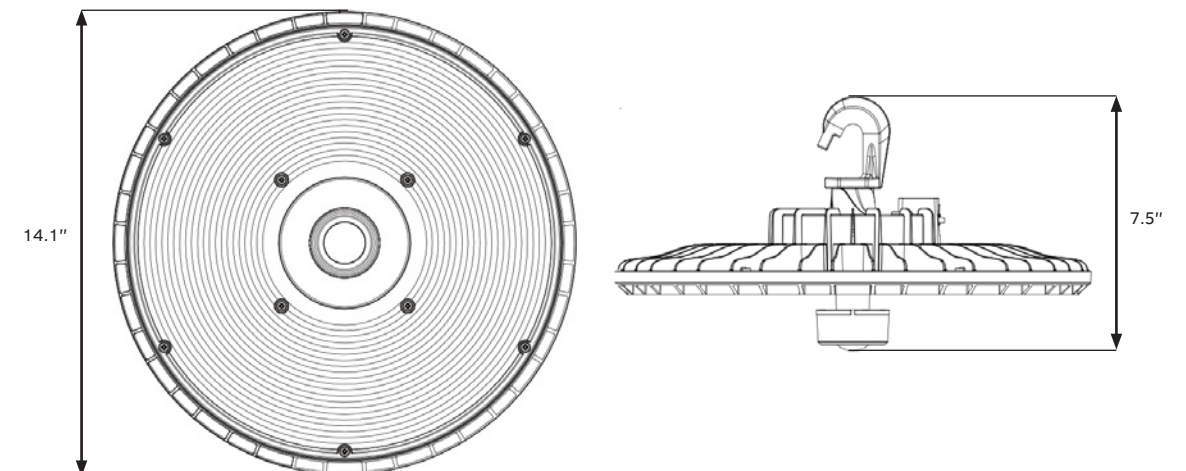


SKU:	WATTAGE:	POWER TUNABLE:	OUTPUT:	CCT:	CRI:	VOLTAGE:	REPLACES:
GKOHBG8138W27VDDKB2	138W	Single Wattage	24,000 Lumens	5000K*	70	120-277V	250W MH
GKOHBG8184W27VDDKB2	184W	Single Wattage	29,000 Lumens	5000K*	70	120-277V	400W MH
GKOHBG8210W27VDDKBAD2	210W	Tunable	30,000 Lumens	4000K**	70	120-277V	400W MH
GKOHBG8230W27VDDKBAD2	230W	Tunable	35,000 Lumens	4000K**	70	120-277V	750W MH

*4000K available using CCT Adjustment controls. **5000K available using Power & CCT Adjustment controls.

Dimensions

210W / 230W



VAPOR TIGHT LINEAR

SERIES GKOVGTG4

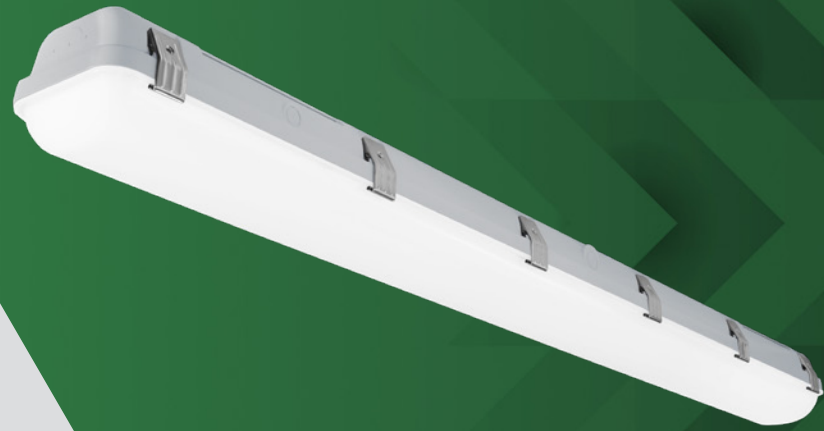
LINEAR FIXTURE

SERIES GKOLFG2

POWER & CCT TUNABLE
OPTIONS INCLUDED

Quick Facts

- 50W / 90W
- Up to 13,000 Lumens
- 3500K / 4000K* / 5000K*
- High Efficacy: Up to 167 LM/W
- Replaces: Up to 250W MH
- Optional: Microwave Motion Sensor
- Optional: Emergency Battery Backup



Product Overview

High performing Vapor Tight Linear Lights are DLC Premium (90W) and DLC Listed (50W) and are an energy-efficient replacement for a traditional metal halide vapor tight, up to 250W. The Vapor Tight Linear Light provides reliable illumination for cold storage, warehouses, food processing factories, parking garages, and car wash facilities. It is also UL Wet Location Listed with an IP65 rating, making it ideal for industrial locations where the fixtures may be exposed to moisture.

Key Features

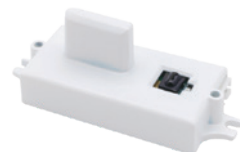
- Reliable operation in extreme temperatures (-22°F to 122°F / -30°C to 40°C)
- Power & CCT Adjustment Controls standard
- Standard 0-10V Dimmable Control allows for customized lighting outputs
- Optional Microwave Motion Sensor gives greater control for additional energy savings
- Optional Emergency Battery Backup ensures lighting during outages
- 5 Year hassle-free limited warranty

SKU:	WATTAGE:	SIZE:	OUTPUT:	CCT:	CRI:	VOLTAGE:	REPLACES:
GKOVGTG450W27VDDKGF	50W	4'	3,000 Lumens	3500K*	80	120-277V	175W MH
GKOVGTG490W27VDDKGF	90W	8'	4,700 Lumens	3500K*	80	120-277V	250W MH

*4000K and 5000K available using Power & CCT Adjustment controls.



Energy Savings Accessories



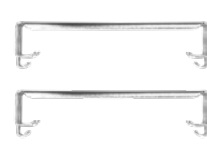
Microwave Motion Sensor HD027VCR
Optional microwave motion sensor allows even greater energy savings.

Battery Backup

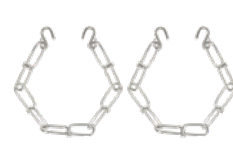


Emergency Battery Backup
Optional code compliant battery backup provides up to 90 minutes of operation during outages.

Installation Accessories



Surface Mounting Bracket Kit
Included bracket and hardware kit allows surface mounting of the fixture.



11.8" Chain Mount Kit
Included set of chain mounts allows suspended mounting of the fixture.

POWER & CCT TUNABLE
OPTIONS AVAILABLE

Quick Facts

- 23W / 35W / 45W
- Up to 6,050 Lumens
- 5000K / 4000K* / 3000K**
- High Efficacy: Up to 134 LM/W
- Replaces: Up to 2 T5HO
- Optional: Row Connector Brackets



Product Overview

High performing Linear Fixtures are an energy-efficient replacement for a traditional T5HO or T8 fixture, up to 2 T5HO. The Linear Fixture is widely used in warehouses, workshops, convention centers, gymnasiums, and factories with lower ceiling heights. It is also UL Damp Location Listed, making it ideal for locations where fixtures may be exposed to moisture. The Linear Fixture features a protective, rust-resistant powder coat finish and durable cold-rolled steel housing, ensuring the unit's longevity.

Key Features

- Available in a standard 4' size and may be extended to 8' with optional Row Connector Brackets.
- Reliable operation in extreme temperatures (-40°F to 104°F / -40°C to 40°C)
- Power & CCT Tunable model available for 35W & 45W
- Standard 1-10V Dimmable Control allows for customized lighting outputs
- Optional Row Connector Brackets allow two linear fixtures to be wired together into a single 8' linear fixture
- 5 Year hassle-free limited warranty

SKU:	WATTAGE:	TYPE:	OUTPUT:	CCT:	CRI:	VOLTAGE:	REPLACES:
GKOLFG223W27V50KF	23W	Fixed	3,000 Lumens	5000K*	80	120-277V	T8
GKOLFG235W27V50KF	35W	Fixed	4,700 Lumens	5000K*	80	120-277V	(2) T8
GKOLFG235W27V50KF	35W	Tunable	4,700 Lumens	5000K**	80	120-277V	(2) T8
GKOLFG245W27V50KF	45W	Fixed	6,000 Lumens	5000K*	80	120-277V	(2) T5HO
GKOLFG245W27V50KF	45W	Tunable	6,050 Lumens	5000K**	80	120-277V	(2) T5HO

*4000K available upon request. **3000K and 4000K available using Power & CCT Adjustment controls.

Dimensions

Photometric Performance

General Distribution

Mounting Accessories

Steel Cable
A heavy-duty steel cable is available to accommodate chain mounting.

Installation Accessories

Row Connector Brackets
Optional brackets allow two linear fixtures to be wired together into a single 8' linear fixture.

CIRCULAR CANOPY LIGHT

SERIES GKOCPO3

POWER & CCT TUNABLE
OPTIONS AVAILABLE

Quick Facts

- 30W / 45W / 60W / 90W
- Up to 12,300 Lumens
- 5000K / 4000K*
- High Efficacy: Up to 137 LM/W
- Replaces: Up to 250W MH
- Optional: Multi-Level Motion Sensor
- Optional: Emergency Battery Backup



Product Overview

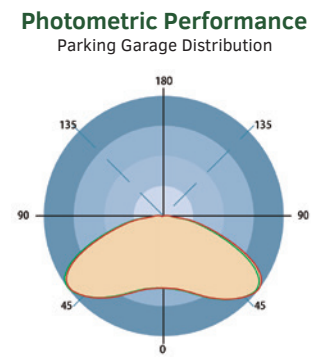
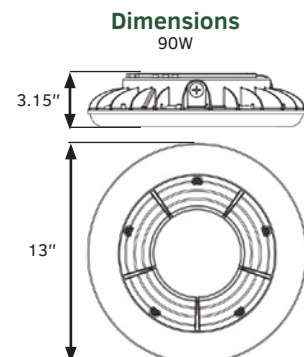
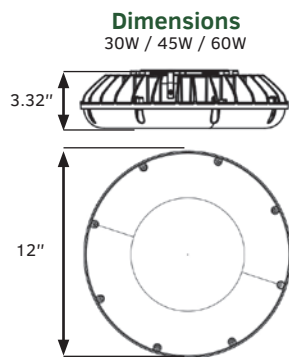
High performing, DLC Premium Circular Canopy Lights are an energy-efficient replacement for a traditional metal halide canopy light, up to 250W. The Circular Canopy Light is widely used in locations where visibility is important for security purposes. It is also UL Wet Location Listed, making it ideal for locations where fixtures may be exposed to moisture. The Circular Canopy Light features a protective, rust-resistant powder coat finish and durable die-cast aluminum housing, ensuring the unit's longevity.

Key Features

- Reliable operation in extreme temperatures (-40°F to 113°F / -40°C to 45°C)
- Power & CCT Tunable model is optional for 60W
- 1-10V Dimmable Control allows for customized lighting outputs
- Optional Multi-Level Motion Sensor and Emergency Battery Backup
- Quick mount plate for installation without opening light
- 5 Year hassle-free limited warranty

SKU:	WATTAGE:	TYPE:	OUTPUT:	CCT:	CRI:	VOLTAGE:	REPLACES:
GKOCPO330W27V50KWDPG	30W	Fixed	4,000 Lumens	5000K*	70	120-277V	100W MH
GKOCPO345W27V50KWDPG	45W	Fixed	5,700 Lumens	5000K*	70	120-277V	100W MH
GKOCPO360W27V50KWDPG	60W	Fixed	7,500 Lumens	5000K*	70	120-277V	175W MH
GKOCPO360W27VDDKWDPG	60W	Tunable	7,700 Lumens	5000K**	70	120-277V	175W MH
GKOCPO390W27V50KWDPG	90W	Fixed	12,300 Lumens	5000K*	70	120-277V	250W MH

*4000K available upon request. **4000K available using Power & CCT Adjustment controls.



Accessories

Multi-Level Motion Sensor - BRI823
Optional multi-level motion sensor allows even greater energy savings.

Emergency Battery Backup
Optional code compliant external battery backup for up to 90 minutes of operation during outages.

SQUARE CANOPY LIGHT

SERIES GKOCPO5

Quick Facts

- 27W / 40W / 60W
- Up to 8,000 Lumens
- 5000K / 4000K*
- High Efficacy: Up to 141 LM/W
- Replaces: Up to 250W MH
- Optional: Multi-Level Motion Sensor
- Optional: Emergency Battery Backup



Product Overview

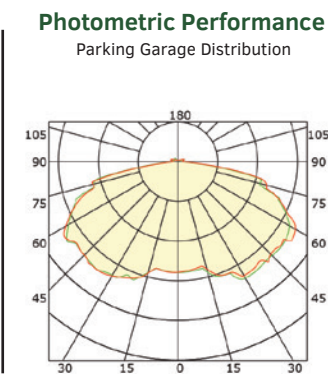
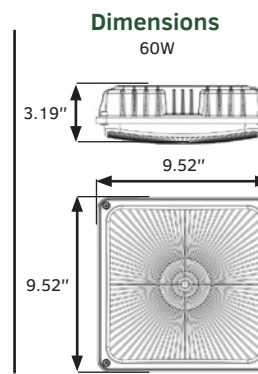
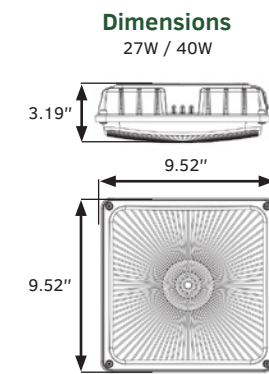
High performing, DLC Premium Square Canopy Lights are an energy-efficient replacement for a traditional metal halide canopy light, up to 250W. The Square Canopy Light is widely used in parking garages, storage areas, shopping area walkways, and other locations where visibility is important for security purposes. It is also UL Wet Location Listed, making it ideal for locations where fixtures may be exposed to moisture. The Square Canopy Light features a protective, rust-resistant powder coat finish and durable die-cast aluminum housing, ensuring the unit's longevity.

Key Features

- Reliable operation in extreme temperatures (-40°F to 104°F / -40°C to 40°C)
- 1-10V Dimmable Control allows for customized lighting outputs
- Optional Multi-Level Motion Sensor gives greater control for additional energy savings
- Optional external Emergency Battery Backup ensures lighting during outages
- Quick-mount features eliminate the need to open luminaire for installation
- 5 Year hassle-free limited warranty

SKU:	WATTAGE:	OUTPUT:	CCT:	CRI:	VOLTAGE:	REPLACES:
GKOCPO527W27V50KDD	27W	3,800 Lumens	5000K*	70	120-277V	100W MH
GKOCPO540W27V50KDD	40W	5,450 Lumens	5000K*	70	120-277V	175W MH
GKOCPO560W27V50KDD	60W	8,000 Lumens	5000K*	70	120-277V	250W MH

*4000K available upon request.



Battery Backup

Emergency Battery Backup
Optional code compliant external battery backup provides up to 90 minutes of operation during outages.

Energy Savings Accessories

Multi-Level Motion Sensor - BRI819
Optional multi-level motion sensor allows even greater energy savings.

POST TOP LIGHT

SERIES GKOPT01

POWER & CCT TUNABLE
OPTIONS INCLUDED

Quick Facts

- 130W
- Up to 16,000 Lumens
- 4000K / 5000K* / 3000K*
- High Efficacy: Up to 132 LM/W
- Replaces: Up to 400W MH
- Optional: 120-277V Photocell
- Optional: Multi-Level Motion Sensor



Our goal is your complete satisfaction with our products and with the quality of our customer service.



Product Overview

High performing Post Top Lights are an energy-efficient replacement for a traditional metal halide post top light with mounting heights from 8' to 20', up to 400W. The Post Top Light is designed for providing illumination for urban and suburban pedestrian areas, such as pathways, plazas, parks, and campuses. It is also UL Wet Location Listed, making it ideal for outdoor applications, even in harsh weather. It features a protective, rust-resistant powder coat finish and durable, die-cast aluminum housing, ensuring the unit's longevity.

Key Features

- Reliable operation in extreme temperatures (-40°F to 113°F / -40°C to 45°C)
- Power & CCT Adjustment Controls standard
- 1-10V Dimmable Control allows for customized lighting outputs
- Fits standard round poles with a diameter of 3" or 2 3/8" with durable Pole Sleeve adaptor
- Optional 120-277V Photocell and Multi-Level Motion Sensor give greater control for additional energy savings
- 5 Year hassle-free limited warranty

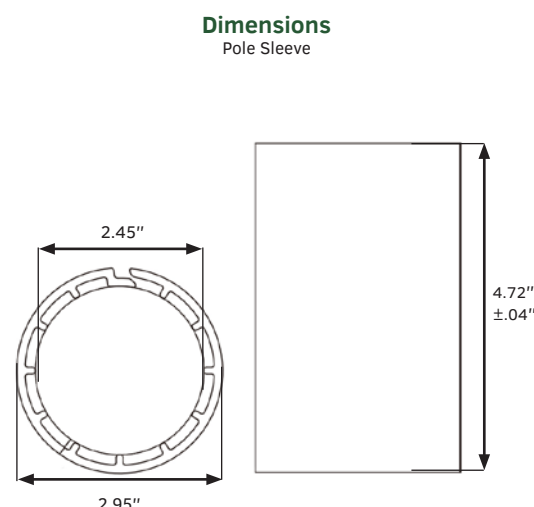
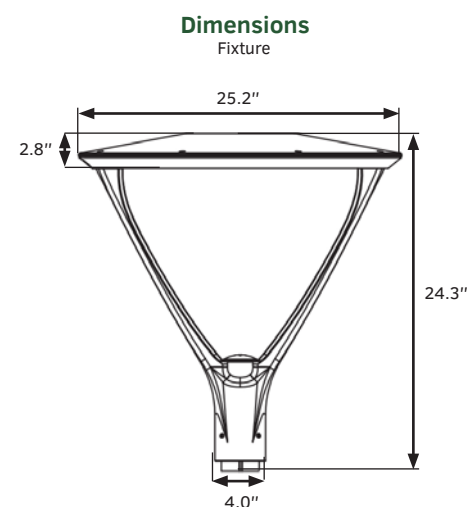
PRODUCT WARRANTY

We fully stand behind the quality, workmanship, and materials of all of our products.

We are proud to extend a limited 5-year warranty on all our fixtures and a limited 10-year warranty on select fixtures, as indicated. Our claim process is quick and simple – if there is an issue with one of our products, we will make it right. Contact us at **630-793-9449** or info@gkoled.com and we will walk through the simple steps to determine if the claim falls under the warranty. If it is deemed to be under warranty by our team member we will replace the fixture, offer a refund of the purchase price, or simply repair the fixture. Some limitations apply. For full warranty information, please visit www.gkoled.com.

SKU:	WATTAGE:	TYPE:	OUTPUT:	CCT:	CRI:	VOLTAGE:	REPLACES:
GKOPLO1130W27VDDKD	130W	Tunable	16,000 Lumens	4000K*	70	120-277V	400W MH

*3000K and 5000K available using Power & CCT Adjustment Controls.



Energy Savings Accessories



Twist-Lock Photocell PO - 120-277V
Optional dusk to dawn sensor turns fixture on or off based on amount of ambient light.



Multi-Level Motion Sensor BRI823
Optional multi-level motion sensor allows even greater energy savings.

READY TO PLACE YOUR ORDER?

Our team loves a challenge, so please bring us your questions or complicated projects. We would love to provide a solution.

If you are ready to place an order, have questions about our products, or need assistance with your lighting layout, please contact us at **630-793-9449** or info@gkoled.com, and our helpful sales team will reach back out within one business day. Our standard hours of operation are 7:30 AM to 4:00 PM CST, Monday through Friday.



Product Series

Indoor

- LED Panels
- LED Troffers
- High Bays
- Canopy Lights
- Vapor Tight
- Linear Fixtures

Outdoor

- Area Lights
- Flood Lights
- Sports Lights
- Wall Packs
- Dusk To Dawn
- Pathway Lights