

! WARNING

PLEASE READ ALL INSTRUCTIONS BEFORE ATTEMPTING INSTALLATION

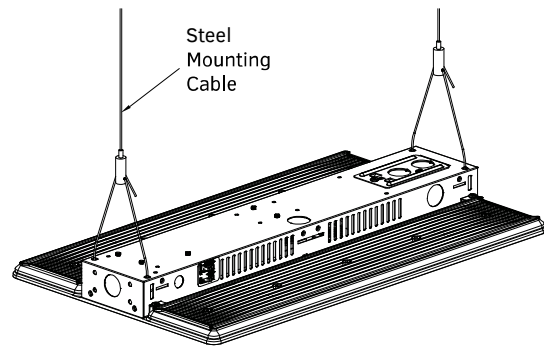
- Turn power off before inspection, installation, or removal.
- Installation should be performed by qualified electricians or lighting technicians.
- Before conducting any installation, maintenance, or removal, disable all power to the fixture and wait until it cools down.
- Do not touch fixture while it is in service.
- If there is any problem with the fixture, DO turn off power and DO NOT attempt repair unless you are a qualified technician or the customer service member.
- This product is not available for several special environments, such as places with corrosive gas liquids or high pressure water vapor.

Installation Guide

NOTE: Inspect the fixture, accessories, and location for installation for damage before installing.

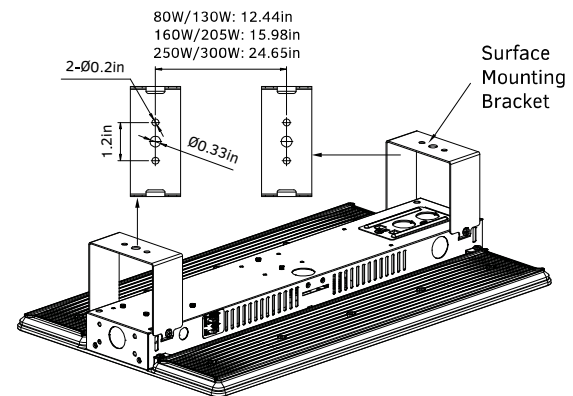
Chain Mounting With Steel Mounting Cable - Included

1. Insert the anti-stripping piece of the steel mounting cable into the installation hole on the side of the fixture.
2. Make the electrical connections according to the wiring diagram. Check label information to ensure that the line voltage is within the available range of the fixture.
3. Push all wires back into the housing, making sure not to pinch any wires. Secure the flex conduit to the access plate.



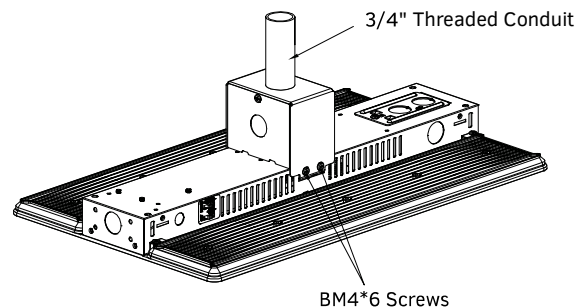
Surface Mounting With Surface Mounting Brackets - Optional, Sold Separately

1. Use the provided screws to attach the surface mounting brackets to the fixture.
2. Make the electrical connections according to the wiring diagram. Check label information to ensure that the line voltage is within the available range of the fixture.
3. Push all wires back into the housing, making sure not to pinch any wires. Secure the flex conduit to the access plate.
4. Secure the fixture to the desired mounting surface using M4 screws and plastic expansion anchors (if needed). M4 screws and anchors are not included.



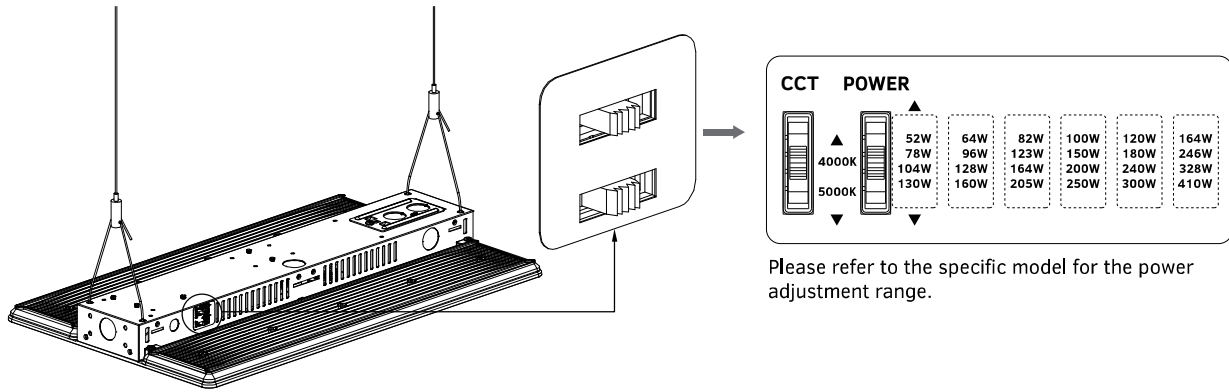
Pendant Mounting With 3/4 Inch Conduit - Optional, Sold Separately (Conduit Not Included)

1. Attach the pendant hanger to 3/4" threaded conduit using locknuts.
2. Snap the fixture housing into the pendant hanger bracket, ensuring the fixture is balanced, and secure with the provided 4 BM4*6 screws.
3. Pull supply wires through the side knockout and feed supply wires through flex conduit. Make the electrical connections according to the wiring diagram. Check label information to ensure that the line voltage is within the available range of the fixture.
4. Secure flex conduit to the side panel and secure the side panel with the provided 2 BM4*6 screws. Push all wires back into the housing, making sure not to pinch any wires. Secure the flex conduit to the access plate.



Power & CCT Adjustment Controls - Optional

Power and color temperature may be set using a set of sliding dip switches on the side of the fixture housing.



Troubleshooting

1. Check that the line voltage to the fixture is correct. Refer to the wiring directions.
2. Make sure the fixture is grounded properly.
3. Make sure the motion sensor, if used, is functioning properly.

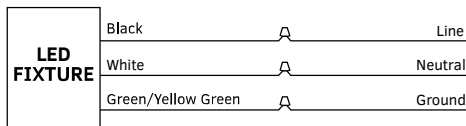
Cleaning & Maintenance

CAUTION:

Before conducting cleaning or maintenance of the fixture, ensure the fixture temperature is cool enough to the touch. Do not clean or maintain the fixture while it is connected to power.

Wiring Diagram

WITHOUT EMERGENCY BATTERY



WITH EMERGENCY BATTERY



Accessory List

TYPE	ACCESSORY NAME	ACCESSORY MODEL	QUANTITY
Chain And Bracket Kit	Mounting Cable	1.5x1500mm, a set of mounting cables, each 1500mm long	2
Surface Mounting	Bracket	LH07_210W_L8840H82.5T1.2	2
	Screw	BM4*6	4
Conduit Pendant	Bracket	MLH07_210W_L8860H82T1.2	1
	Bracket	LH07_300W_L84.4W662T0.5	2
	Screw	BM4*6	6