

! WARNING

PLEASE READ ALL INSTRUCTIONS BEFORE ATTEMPTING INSTALLATION

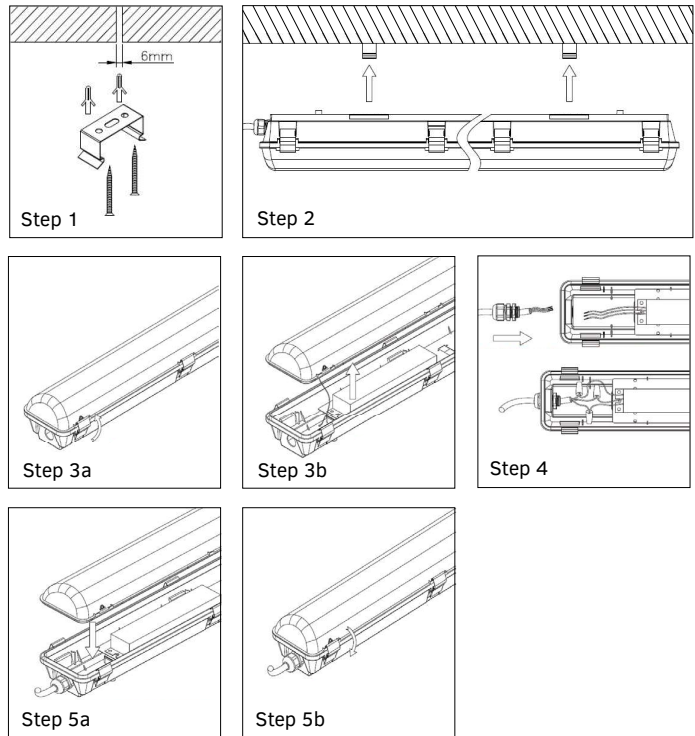
- To prevent personal injury or product damage only licensed electricians should install.
- To avoid electric shock or component damage, disconnect power before attempting installation or servicing.
- This product must be installed in accordance with the national electric code (NEC) and all applicable federal, state, and local electric codes and safety standards.
- **WARNING:** Ensure power is OFF before installing or maintaining the fixture. There are no user serviceable parts inside.
- **WARNING:** Do NOT handle energized fixture when hands are wet, when standing on wet or damp surfaces, or in water.
- **WARNING:** Fixture to be independently supported to building structure.
- **CAUTION - RISK OF FIRE**

Installation Guide

Surface Mounting - Included

IMPORTANT: Turn off electrical power at the fuse or circuit breaker before wiring fixture to the power supply.

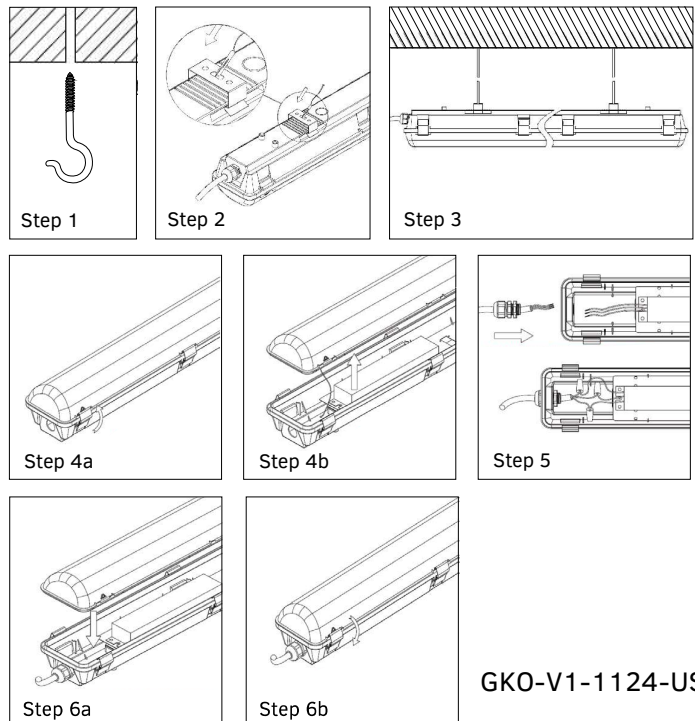
1. Using the two mounting brackets as a guide, mark drill holes in the place where the fixture will be installed. Ensure the mounting brackets are spaced appropriately based on their location on the fixture. Drill 6mm holes and use the provided anchors and screws to attach the mounting brackets to the ceiling.
2. Attach the fixture to the mounting brackets installed in Step 1. Fixture may be opened prior to mounting to make the rest of the installation easier.
3. To access the wiring compartment, open the metal clips on the side of the fixture and separate the lens from the fixture housing.
4. Attach the fixture to the mounting brackets installed in Step 1.
5. Install the waterproof connector on the side with the wiring and make wiring connections according to the wiring diagram.
6. Reattach the lens to the fixture housing and fasten the metal clips on the side of the fixture to secure it.



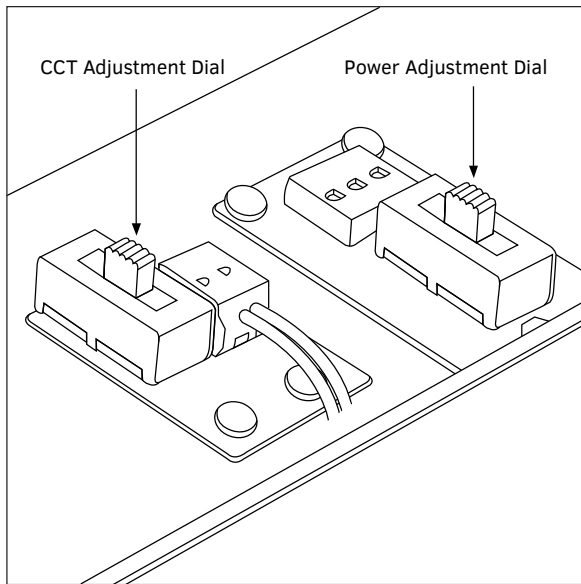
Suspension Mounting - Included

IMPORTANT: Turn off electrical power at the fuse or circuit breaker before wiring fixture to the power supply.

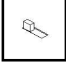
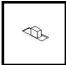

1. Install lag/machine hook screws (not included) into the ceiling where the fixture will be installed, making sure they are secure. If installing the 4 foot fixture, hooks should be approximately 34.5 inches apart. If installing the 8 foot fixture, hooks should be approximately 63.8 inches apart.
2. Attach the mounting brackets to the fixture and attach the mounting hooks on the chain mount to the mounting brackets.
- 3 Attach the chain mount to the lag/machine hook screws installed in Step 1. Fixture may be opened prior to mounting to make the rest of the installation easier.
4. To access the wiring compartment, open the metal clips on the side of the fixture and separate the lens from the fixture housing.
5. Install the waterproof connector on the side with the wiring and make wiring connections according to the wiring diagram.
6. Reattach the lens to the fixture housing and fasten the metal clips on the side of the fixture to secure it.



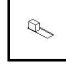
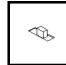

Power & CCT Adjustment Controls - Included



Power Adjustment Dial

-  Set dial position to the left position for Level 1.
-  Set dial position to the middle position for Level 2.
-  Set dial position to the right position for Level 3.

CCT Adjustment Dial

-  Set dial position to the left position for 3500K.
-  Set dial position to the middle position for 4000K.
-  Set dial position to the right position for 5000K.

Power Adjustment Levels For Each Vapor Tight Model

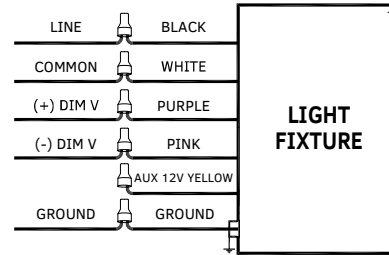
Size	Base Wattage - LV1	LV2	LV3
4 Foot	50W	35W	25W
8 Foot	90W	75W	60W

Power & CCT Adjustment Controls are accessible from the interior of the fixture. Open the steel clamps on the side of the fixture and lift up the lens to access the Controls.

Wiring

The universal voltage driver allows operation at 120V through 277V, 50/60 Hz.

1. Connect the BLACK fixture lead to the (+) LINE supply lead.
2. Connect the WHITE fixture lead to the (-) COMMON supply lead.
3. Connect the GROUND wire from fixture to supply ground. Do NOT connect the GROUND of the dimming fixture to the output.
4. Connect the PURPLE fixture lead to the (V+) DIM lead.
5. Connect the PINK fixture lead to the (V-) DIM lead.



Troubleshooting

1. Ensure that the fixture is properly connected to line voltage. Refer to the wiring directions.
2. Ensure that the fixture is properly grounded.
3. If using a motion sensor, ensure that it is functioning properly.

Cleaning & Maintenance

CAUTION:

Before conducting cleaning or maintenance of the fixture, ensure the fixture temperature is cool enough to the touch. Do not clean or maintain the fixture while it is connected to power.

1. Clean lens with non-abrasive cleaning solution.
2. Do NOT open fixture to clean the LED. Do NOT touch the LED,