

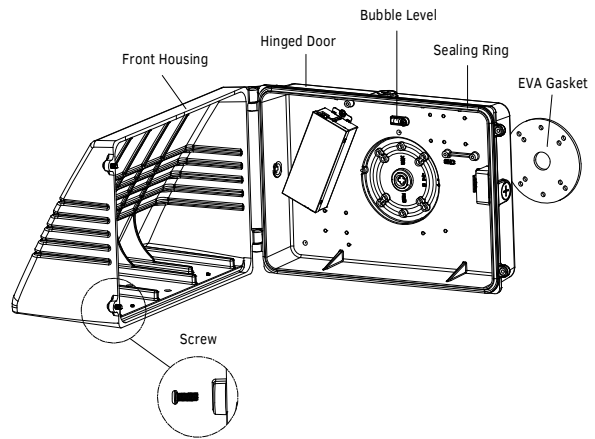
WARNING

PLEASE READ ALL INSTRUCTIONS BEFORE ATTEMPTING INSTALLATION

- To prevent personal injury or product damage only licensed electricians should install.
- To avoid electric shock or component damage disconnect power before attempting installation or servicing.
- This product must be installed in accordance with the national electric code (NEC) and all applicable federal, state, and local electric codes and safety standards.
- Disconnect product and allow cooling prior to servicing.
- Any alteration or modification of this product is expressly forbidden as it may cause serious personal injury, death, property damage, and/or product malfunction.
- To prevent product malfunction and/or electrical shock this product must be properly grounded.
- This luminaire is designed to operate in ambient temperatures ranging from -40°F to 113 °F and to be horizontally mounted with the LEDs facing down.
- This luminaire is designed for wall mounting only.
- This product is not suitable for several special environments, such as places with corrosive gas liquids or gas stations.

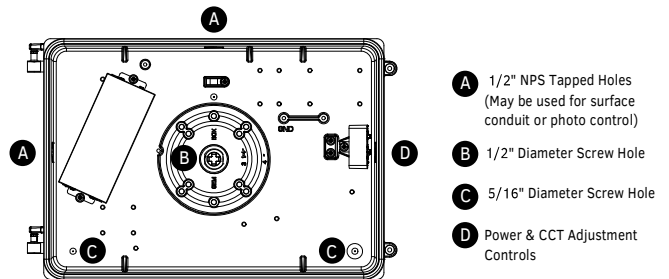
Junction Box Mounting - Included

1. Loosen the screws holding the hinged door in place, then carefully separate the hinged door from the front housing.
2. Drill the appropriate knockouts (B) for wiring to a junction box. This fixture is compatible with standard 3-1/4" and 4" junction boxes (not included).
3. Attach the back plate to the wall, using the supplied gaskets for a weather-tight seal.
4. Finish wiring (Black for Line, White for Neutral, and Green or Yellow Green for Ground).
5. Reattach the front housing onto the hinged door and, if wires between LED board and driver have been disconnected, replace connections. Close the hinged door and retighten the screws that hold it in place.



Conduit Mounting - Included

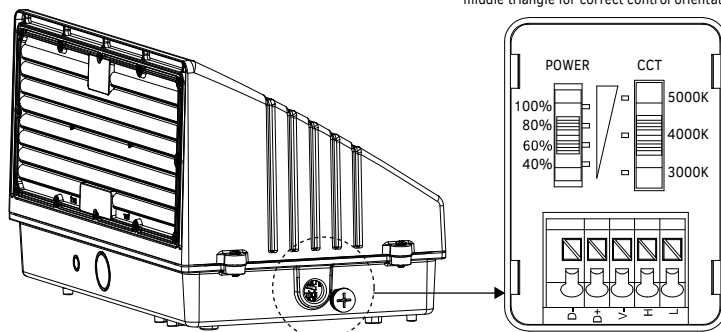
1. Loosen the screws holding the hinged door in place, then carefully separate the hinged door from the front housing.
2. Remove the 1/2" screw plug from the place you intend to feed the conduit (A).
3. Drill holes (C) and secure the fixture to the wall using 5/16" screws (not included).
4. Finish wiring (Black for Line, White for Neutral, and Green or Yellow Green for Ground).
5. Reattach the front housing onto the hinged door and, if wires between LED board and driver have been disconnected, replace connections. Close the hinged door and retighten the screws that hold it in place.



IMPORTANT: To ensure a waterproof seal, apply weatherproof silicone sealant around the edge of the wall mounting box and/or junction box. This is especially important if the wall surface is uneven. Also silicone all plugs and unused conduit entries.

Power & CCT Adjustment Controls - Included

1. Remove the 1/2" screw plug from the right side of the fixture.
2. Select Power (White) and CCT (Black) by sliding the corresponding switch to the desired setting.
3. Replace the 1/2" screw plug and tighten with a flat head screwdriver.



| Power Adjustment Range | | | |
|------------------------|-----|------|------|
| 100% | 70W | 125W | 135W |
| 80% | 56W | 100W | 108W |
| 60% | 42W | 75W | 81W |
| 40% | 28W | 50W | 54W |

| CCT Adjustment Range | | |
|----------------------|-------|-------|
| 5000K | 4000K | 3000K |

NOTE: If using the multi-level motion sensor, only the CCT selection controls will be usable. Brightness will be controlled by the sensor.

Wiring Diagram

For dimming version, please check wiring diagram below.

WITHOUT EMERGENCY BATTERY

| | | |
|-------------------------|--------------------|---------|
| LED FIXTURES | Black | Line |
| | White | Neutral |
| | Green/Yellow Green | Ground |
| | Purple | DIM+ |
| | Pink | DIM- |

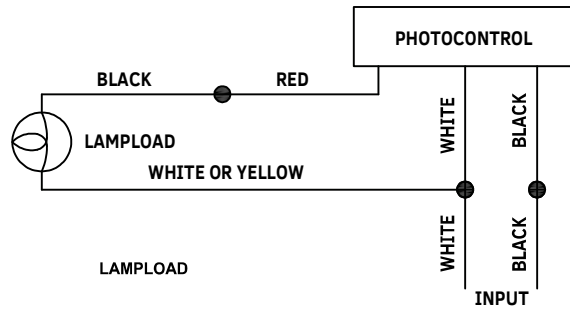
WITH EMERGENCY BATTERY

| | | |
|-------------------------|--------------------|----------------|
| LED FIXTURES | Red | AC Line(24/7) |
| | Black | AC Line Switch |
| | White | Neutral |
| | Green/Yellow Green | Ground |
| | Purple | DIM+ |
| Pink | DIM- | |

Photocell Installation

Universal voltage driver permits operation at 60 Hz except for fixtures factory ordered with a 120-277VAC (P0) photocell.

1. Install photocell and wire as per diagram.
2. Use a photocell rated for your supply voltage.



Troubleshooting

1. Check that the line voltage to the fixture is correct. Refer to the wiring directions.
2. Make sure the fixture is grounded properly.
3. Make sure the motion sensor, if used, is functioning properly.