

**WARNING**

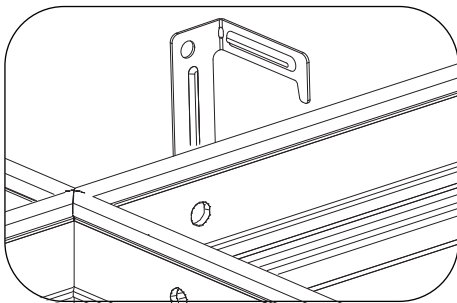
**PLEASE READ ALL INSTRUCTIONS BEFORE ATTEMPTING INSTALLATION**

- To reduce the risk of death, personal injury, or property damage from fire, electric shock, falling parts, cuts/abrasions, and other hazards, read all warnings and instructions with and on the fixture box and fixture labels.
- Before installing, servicing, or performing routine maintenance upon these fixtures, follow all general precautions.
- Commercial installation, service, and maintenance of luminaires should be performed by a qualified licensed electrician.
- If you are unsure about the installation or maintenance of the luminaires, consult a qualified licensed electrician, and check your local electrical code.
- To prevent wiring damage or abrasion, do not expose wiring to edges of sheet metal or other sharp objects.
- Do not make or alter any open holes in an enclosure of wiring or electrical components during kit installation.
- Turn off electrical power at fuse or circuit breaker box before wiring fixture to the power supply.
- Turn off the power when performing any maintenance.
- Verify that supply voltage is correct by comparing it with the luminaire label information.
- All wiring connections should be capped with UL approved wire connectors.
- Avoid direct eye exposure to the light source while it is on.
- Account for small parts and destroy packing material, as these may be hazardous to children.
- Risk of burn. Disconnect power and allow fixture to cool before changing the bulb or handling the fixture.
- GREEN GROUND SCREW PROVIDED IN PROPER LOCATION. DO NOT RELOCATE.
- MINIMUM 194°F (90°C) SUPPLY CONDUCTORS.
- SPECIFICATIONS AND DIMENSIONS SUBJECT TO CHANGE WITHOUT NOTICE.
- SUITABLE FOR DRY OR DAMP LOCATION, TYPE IC.

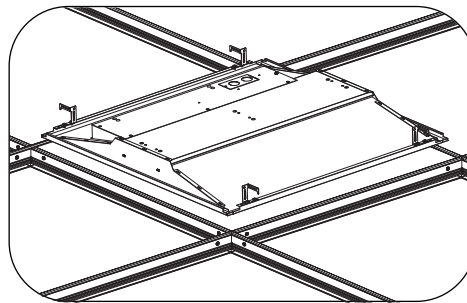
# Installation Guide

Always turn off the power supply from main circuit breaker first before installing.

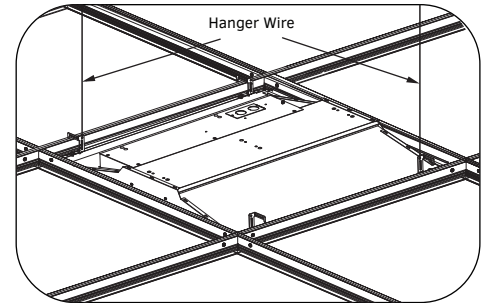
## Recessed Mounting - Standard for Regular Model & Emergency Battery Backup Model



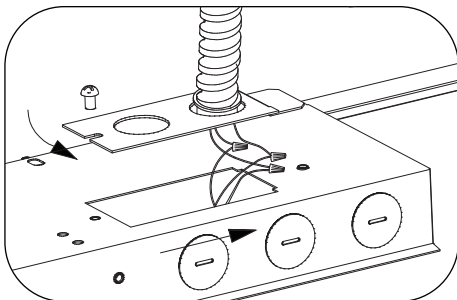
1. Locate desired fixture location in ceiling grid and remove the existing ceiling panel at chosen location. Also remove adjacent ceiling panel to allow for wiring access from above. Bend the clips on the sides of the fixture 90° to engage with the T-bar support grid.



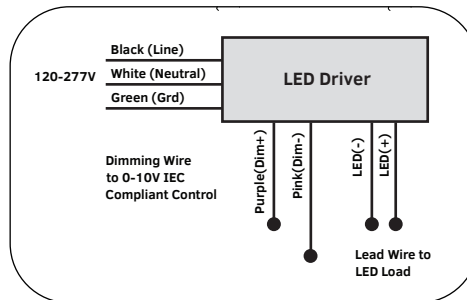
2. Install the fixture into the T-bar ceiling grid. Ensure that each fixture fits snugly into the ceiling grid and all fixtures are oriented in the same direction.



3. Use a hanger wire to secure fixture to the grid in compliance with state and local codes. Screws and hanger wires are not included with fixture.

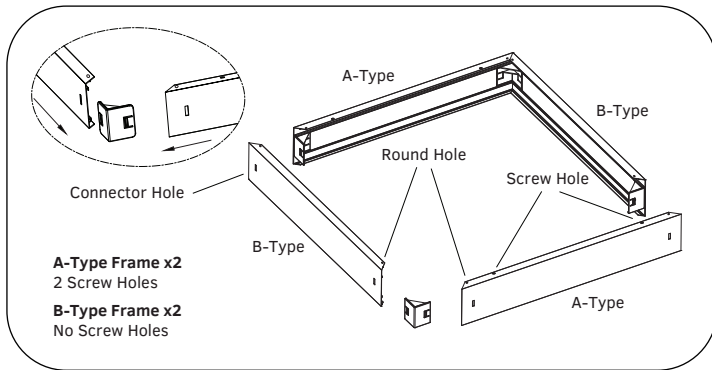


4. Remove screw on driver wiring chamber, slide cover to the side, and remove cover. Set the screw and cover aside to be reinstalled later. Remove appropriate 1/2" knockout(s) to allow for entry of supply wiring into the wiring chamber.

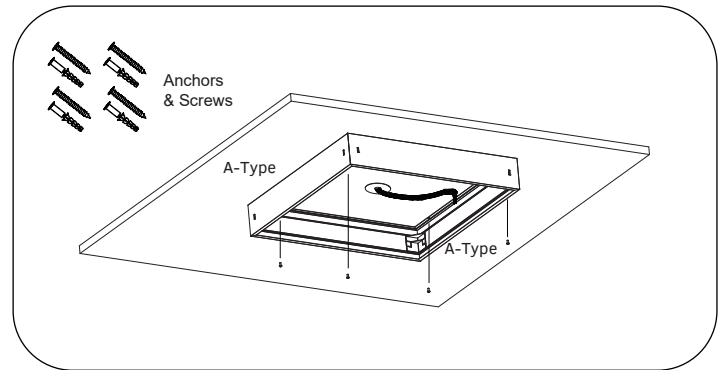


5. Follow the wiring diagram for the specific model you are installing. Replace the electrical enclosure cover and tighten the screws, then replace the adjacent ceiling panel that was removed in Step 1.

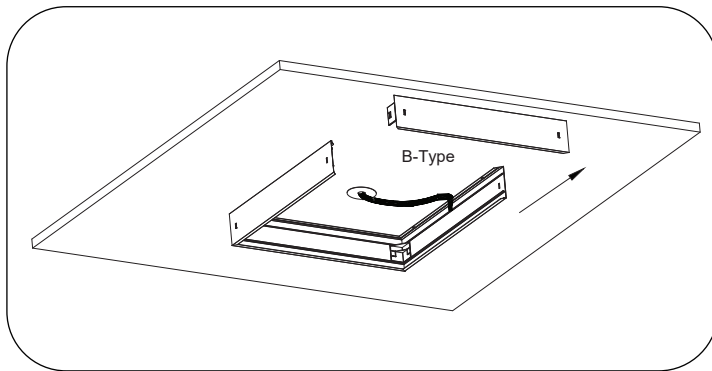
## Surface Mounting - Optional for Regular Model & Emergency Battery Backup Model (Surface Mounting Kit Sold Separately)



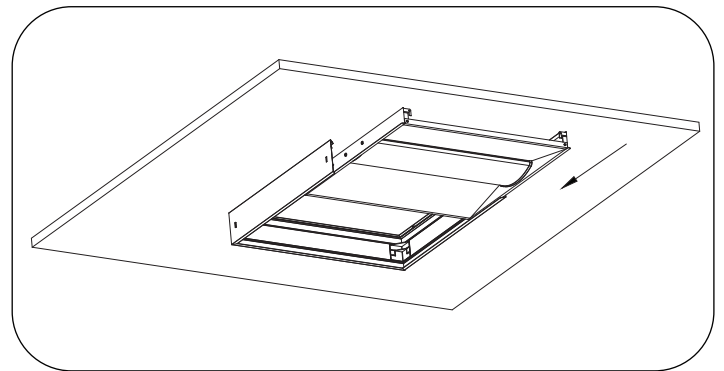
1. Assemble the surface frame by connecting the A-Type and B-Type frames. This is done by sliding the corner connectors into the slots on the back of the frames, until the tabs on the sides of the connectors lock in place in the connector holes on the sides of the frames. When assembling, ensure all screw holes and round holes on the A-Type and B-Type frames are facing the same direction. Additionally, make sure that the two A-Type and two B-Type frames are across from each other, as indicated on the image above. If a mistake is made during assembly, the frames can be disassembled by pushing in the tabs from the connectors and pulling the frames apart.



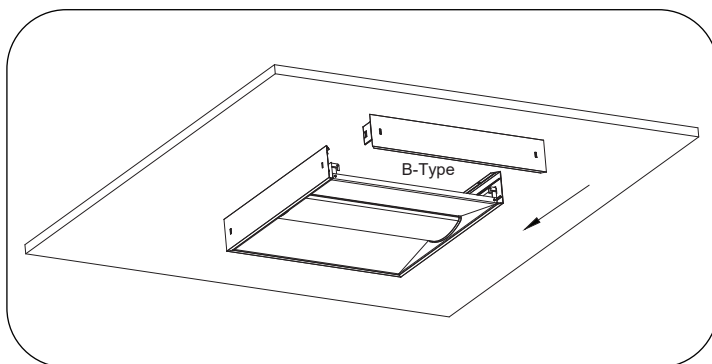
2. Using the square frame as a positioning guide, place the frame with screw holes facing up and mark their locations, then use the anchors and screws to secure the frame to the ceiling. Only the A-Type frames have screw holes, which are located closer to the center of the frame.



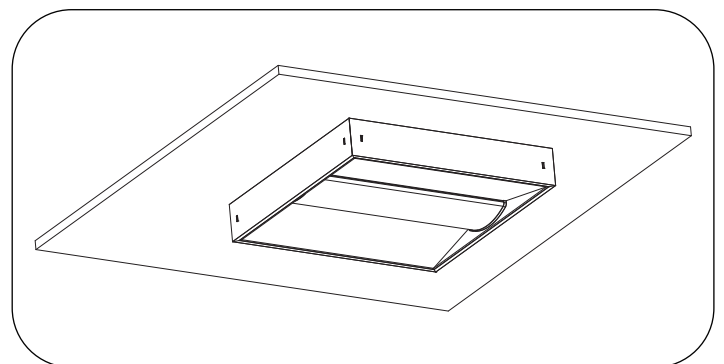
3. Remove one of the B-Type frames by pushing in the tabs from the connectors and pulling the frame out.



4. Make wiring connections to the main power according to local code and insert the LED Panel into the frame.

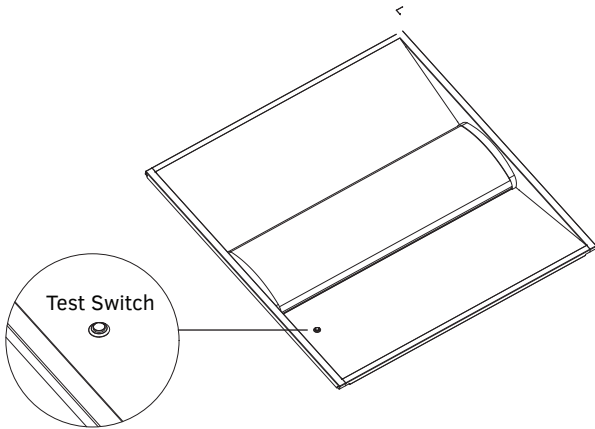


5. Replace the B-Type frame into the slot, ensuring it is locked in place by the plastic corner connectors.



6. Installation is completed. Fixture is ready to power on.

## Test Switch & LED Indicator Light - Emergency Battery Backup Model ONLY

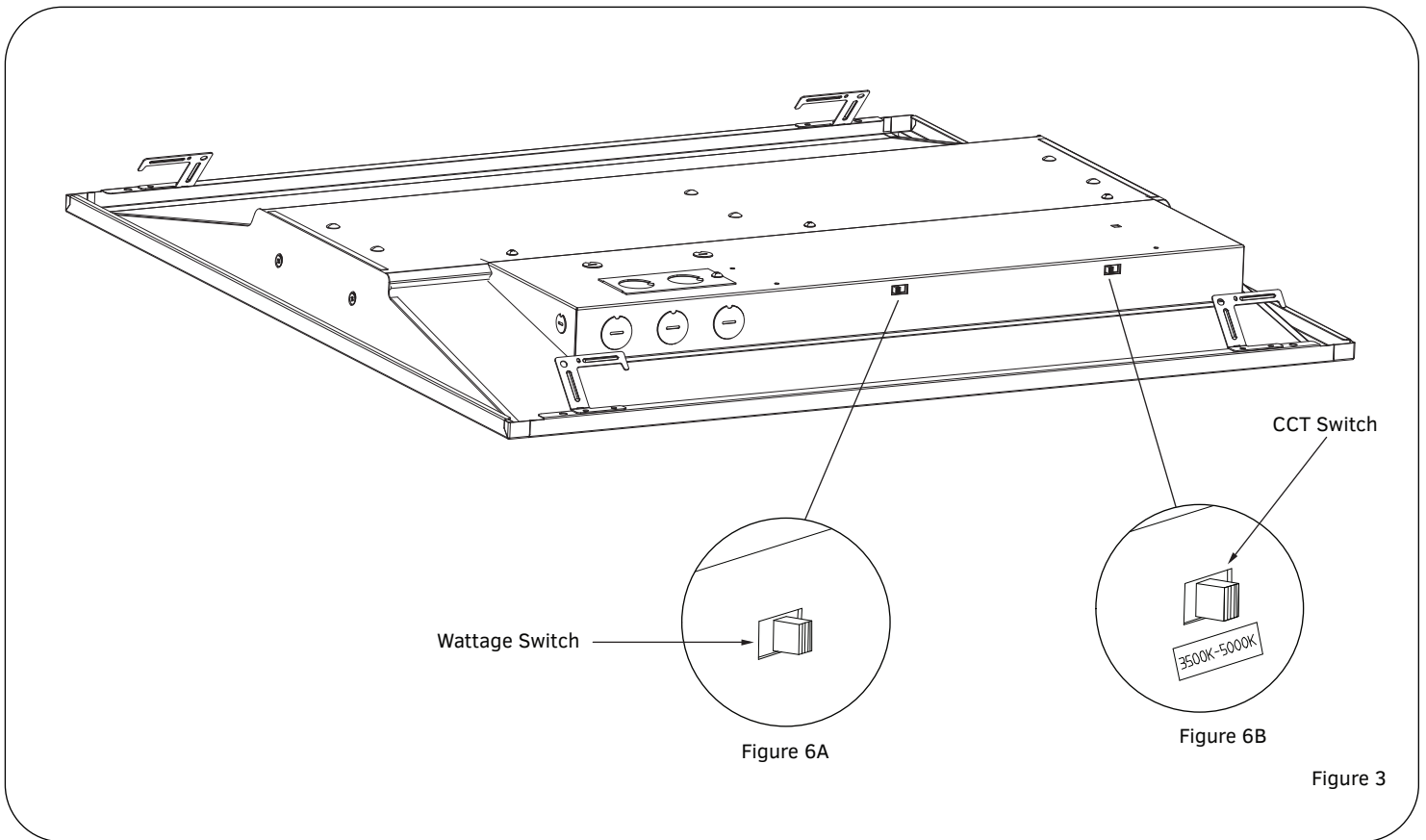


**LED Indicator Light**  
Used to indicate the current state of the fixture.

- A stable red light indicates the fixture is in Charging Mode or fully charged.
- When the red light is off the main power supply is off or the fixture is in Emergency Mode.

**\*Emergency Battery Backup Model ONLY:** During a power outage, CCT will default to 5000K and the Emergency Battery Backup will provide up to 90 minutes of operation at a minimum of 1000lm.

## Power & CCT Adjustment Controls - Included on Regular Model & Emergency Battery Backup Model



The end user may adjust the CCT and lumen output using two DIP switches integrated into the driver. Each DIP switch has 3 settings (left, middle, right) respectively corresponding to 3 CCT and 3 wattage options.

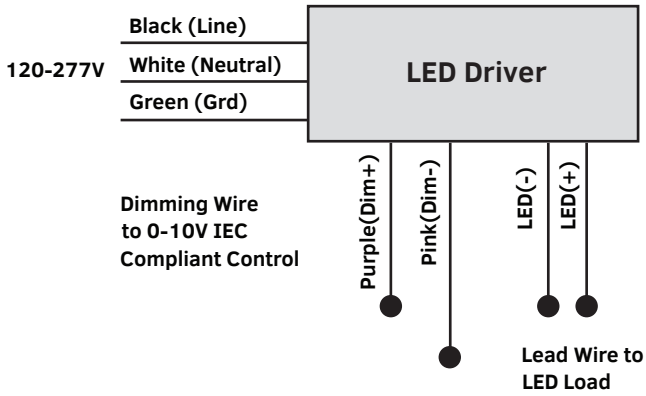
1. DIP switches to control the CCT and lumen output are located on the driver box (Figure 3).
2. Select a CCT and wattage by sliding the corresponding DIP switch left or right respectively to the desired value (Figure 6A and 6B).

### Power & CCT Adjustment Options For Each LED Troffer Model

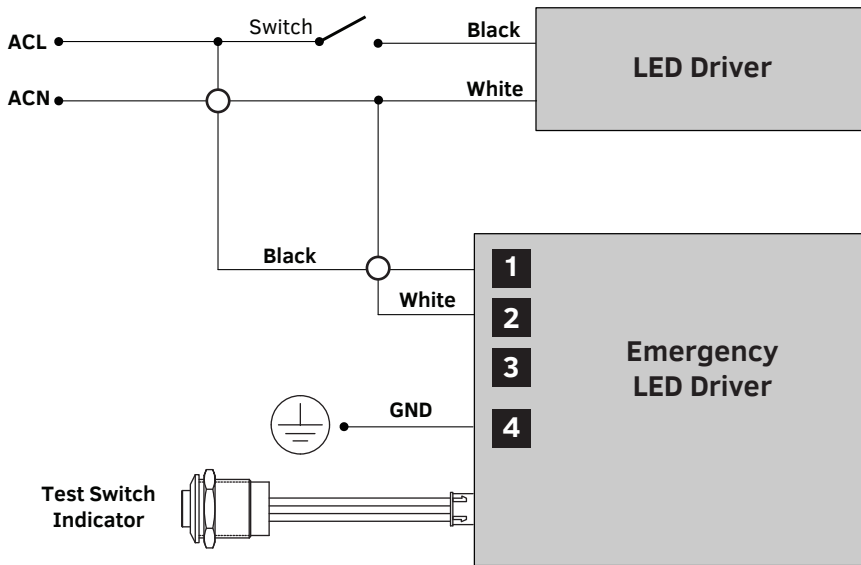
Size	CCT Options	Power Options
2x2	5000K / 4000K / 3500K	30W / 25W / 20W
2x2	5000K / 4000K / 3500K	40W / 35W / 30W
1x4	5000K / 4000K / 3500K	30W / 25W / 20W
2x4	5000K / 4000K / 3500K	35W / 30W / 25W
2x4	5000K / 4000K / 3500K	45W / 38W / 34W

**\*Emergency Battery Backup Model ONLY:** During a power outage, CCT will default to 5000K.

**Wiring Diagram - Without Emergency Battery Backup, See Below For Emergency Battery Backup Model**



**Wiring Diagram - With Emergency Battery Backup**



**Symbols**

Symbol	Purpose
○	Intersecting Wires (Not Connected)