



Product Overview

High performing series GKOWPG3 Full Cutoff Wall Packs are an energy-efficient replacement for a traditional metal halide wall pack, up to 400W. The full cutoff design minimizes vertical light to reduce glare and light pollution. Power & CCT Adjustment Controls are standard on every model.

Key Features

CONSTRUCTION:

- Rugged die-cast aluminum housing.
- Housing has direct contact with the driver to help maintain low temperature and long lifespan.
- Housing is completely sealed against moisture and environmental contaminants.

FINISH:

- The exterior is protected by a rust-resistant polyester powder coat finish that provides superior resistance to weathering and corrosion.

OPTICS:

- Full cutoff design minimizes glare and light pollution.
- Light engines are available in CCT selectable 3000K, 4000K, and 5000K configurations.
- A range of lumen options available from 4,400 to 20,000 Lumens, replaces up to 400W metal halide.
- Impact-resistant UV-coated polycarbonate lens is precisely designed to give a specific light distribution, maximizing efficiency and application spacing.

ELECTRICAL:

- Universal 120-277V input voltage.
- Standard 6KV surge protection.
- 0-10V dimming driver(s) as default.
- THD: ≤20%, Power Factor: ≥90%.

CONTROLS:

- Power & CCT adjustment controls standard, enabling power adjustment to 100%, 80%, 60%, or 40%, and CCT adjustment to 3000K, 4000K, or 5000K. When a motion sensor is installed, only CCT adjustment controls may be used.
- Optional multi-level motion sensor for additional energy savings - BRI823. If a multi-level motion sensor is installed, a button photocell cannot be installed.
- Optional button photocell for additional energy savings - PO 120-277V. If a button photocell is installed, a multi-level motion sensor cannot be installed.
- Optional emergency battery backup provides up to 90 minutes of operation during outages.

INSTALLATION:

- Capable of wall mounting or junction box mounting.
- Easy installation with integrated bubble level and hinged door.

WARRANTY:

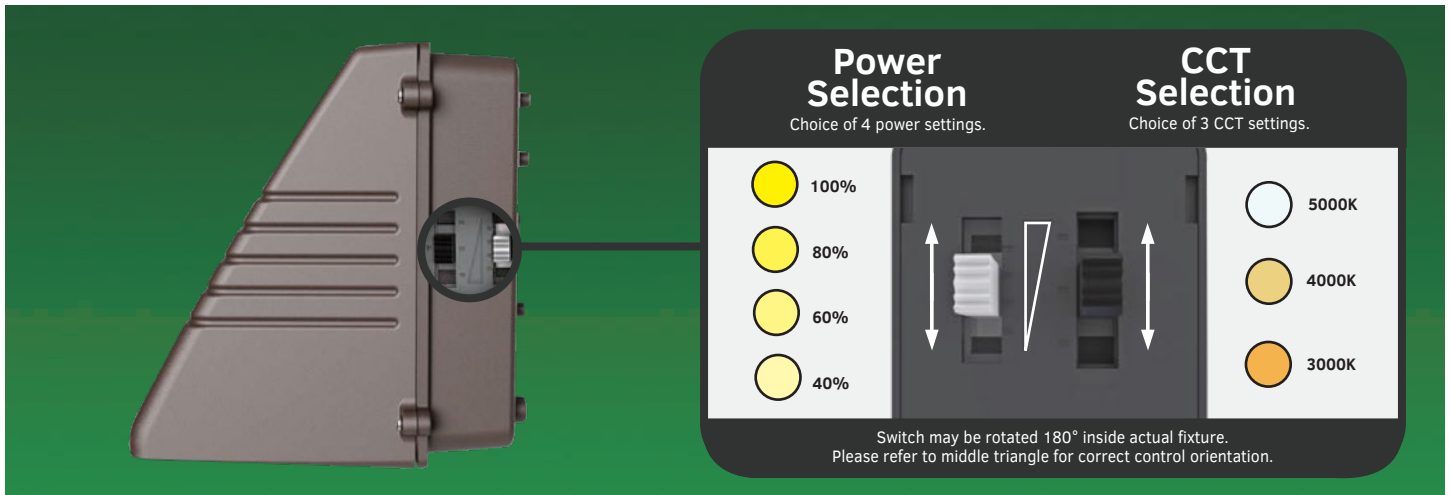
- 5 Year Limited Warranty.

LISTINGS:

- DesignLights Consortium® (DLC) Premium qualified.
- UL listed for wet locations.
- Rated for ambient operating temperature -40°F to 113°F (-40°C to 45°C).



Power & CCT Adjustment Controls



Performance Data

70W								
Switch Setting	System Watts	CRI	3000K		4000K		5000K	
			Lumens	Efficacy	Lumens	Efficacy	Lumens	Efficacy
100%	70W	70	9800lm	140lm/W	11000lm	157lm/W	10200lm	146lm/W
80%	56W	70	8200lm	146lm/W	9100lm	163lm/W	8700lm	155lm/W
60%	42W	70	6400lm	152lm/W	7000lm	167lm/W	6800lm	162m/W
40%	28W	70	4400lm	157lm/W	4800lm	171lm/W	4700lm	168lm/W

125W								
Switch Setting	System Watts	CRI	3000K		4000K		5000K	
			Lumens	Efficacy	Lumens	Efficacy	Lumens	Efficacy
100%	125W	70	17100lm	137lm/W	19000lm	152lm/W	18000lm	144lm/W
80%	100W	70	14200lm	142lm/W	15700lm	157lm/W	15000lm	150lm/W
60%	75W	70	11000lm	147lm/W	12100lm	161lm/W	11700lm	156m/W
40%	50W	70	7600lm	152lm/W	8200lm	164lm/W	8100lm	162lm/W

135W								
Switch Setting	System Watts	CRI	3000K		4000K		5000K	
			Lumens	Efficacy	Lumens	Efficacy	Lumens	Efficacy
100%	135W	70	18000lm	133lm/W	20000lm	148lm/W	19000lm	141lm/W
80%	108W	70	15000lm	139lm/W	16400lm	152lm/W	15600lm	144lm/W
60%	81W	70	11600lm	143lm/W	12600lm	156lm/W	12000lm	148m/W
40%	54W	70	8000lm	148lm/W	8600lm	159lm/W	8200lm	152lm/W

Electrical Data

Number of Drivers	Driver Current (mA)	Nominal Power (W)	Input Voltage (V)	Current (Amps)
1	430	70	120	0.58
		70	208	0.34
		70	240	0.29
		70	277	0.25
1	770	125	120	1.04
		125	208	0.60
		125	240	0.52
		125	277	0.45
2	1110	135	120	1.13
		135	208	0.65
		135	240	0.56
		135	277	0.49

Accessories



BUTTON PHOTOCELL
Optional button photocell adds dusk to dawn function for additional energy savings. If a button photocell is installed, a multi-level motion sensor cannot be installed.

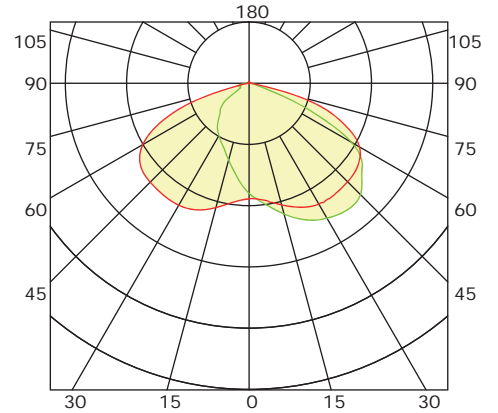


MULTI-LEVEL MOTION SENSOR
Optional multi-level motion sensor detects occupancy in an area for additional energy savings. If a multi-level motion sensor is installed, a button photocell cannot be installed.



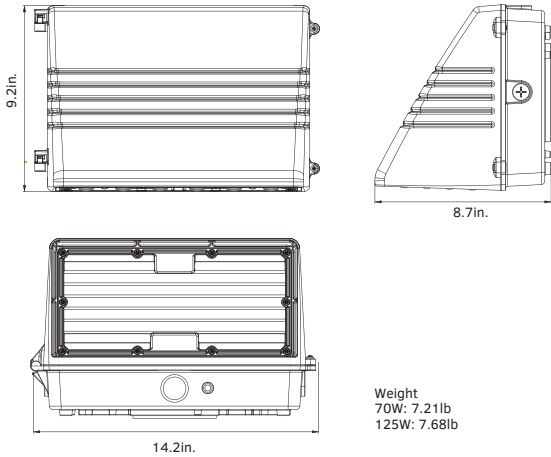
EMERGENCY BATTERY BACKUP
Emergency battery backup provides up to 90 minutes of operation during power outages (not available for 125W).

Light Distribution

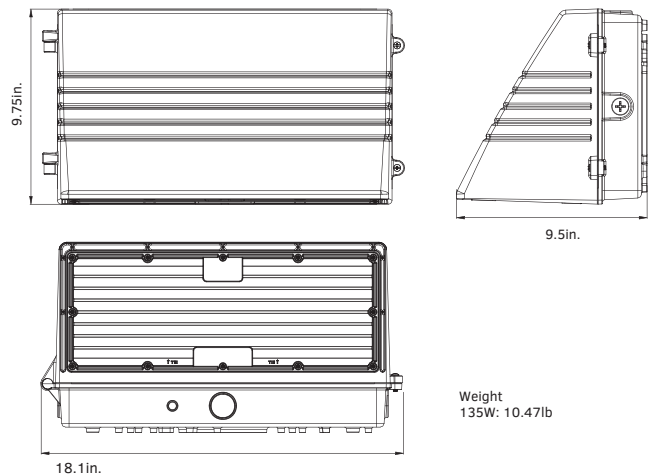


Dimensions & Weight

70W & 125W



135W



Full Cutoff Wall Pack Series GKOWPG3

Example: GKOWPG370W27VDDKYYYYYY

Fixture Type <input type="text"/>	Wattage <input type="text"/>	Voltage <input type="text"/>	CCT <input type="text"/>	Finish <input type="text"/>	Photocell (Optional) <input type="text"/>	Sensor (Optional) <input type="text"/>	Battery Backup (Optional) <input type="text"/>	Adjustment Dial <input type="text"/>	Internal Code <input type="text"/>
GKOWPG3	70W 125W 135W	27V 120-277V	DDK Power & CCT Tunable	D Dark Bronze B Black W White	PO With Photocell Blank Without Photocell	M With Sensor Blank Without Sensor	B With Emergency Battery Blank Without Emergency Battery	AD With Adjustment Dial	Blank Alphanumeric

Note: Emergency Battery Backup is not available for 125W.



100 E. Crossroads Pkwy. Ste. C
 Bolingbrook, IL 60440
Phone: 630-793-9449
Web: www.gkoled.com