



2FT: 20W 4FT: 40W 8FT: 80W

Highlights

- Premium end-caps made from die-cast aluminum
- Superior gap control with premium bracket connection system
- Field selectable Power, CCT, Up/Downlight options

PENDING



Product Overview

Series GKOARLG1 Architectural Linear Lights are a linear lighting solution with a variety of length, connection, and mounting options for an endless variety of lighting designs. All models are Power, CCT, and Up/Downlight Selectable with 3 power options, 5 CCT options, and 5 uplight/downlight configurations.

Key Features

CONSTRUCTION:

- Durable aluminum extrusion housing.
- Premium die-cast aluminum end caps.
- The diffuser and end caps overlap to eliminate gaps and conceal the LED chips.
- Available in 2', 4', and 8' in a standard linear or custom configuration with straight or illuminated L, X, T, Y, or V connectors. See electrical section for information on maximum connection lengths. Y and V connectors are special order only.

FINISH:

- Strong, durable black or white powder coat finish protects against wear and damage.

OPTICS:

- Light engines are available in 2700K, 3000K, 3500K, 4000K and 5000K.
- Preinstalled PMMA LED uplighting module for bidirectional lighting.
- Choice of 5 light distribution patterns, controlled by a dip switch.
- A range of lumen options available from 1,250 to 10,800 Lumens.
- <3 SDCM color consistency with 80 CRI.
- Default high quality flat frosted polycarbonate diffuser for smooth, uniform light distribution.
- Optional louver and hexagonal louver focus the light and reduce glare.

WARRANTY:

- 5 Year Limited Warranty.

ELECTRICAL:

- Standard 120-277V input voltage. Lights can be connected up to 40' at 120V or up to 100' at 277V.
- Integrated 4KV surge protection.
- 0-10V dimming driver(s) as default.
- Default Class II drivers are durable and highly efficient.
- THD: ≤20%, Power Factor: ≥90%.

CONTROLS:

- Power & CCT adjustment controls are standard, enabling power selection from 100%, 75%, or 50%, and CCT selection from 2700K, 3000K, 3500K, 4000K or 5000K.
- Optional plug & play sensor for daylight dimming and/or occupancy detection.
- Special order emergency battery backup provides up to 90 minutes of operation during outages (only compatible with 4' or 8' model).

INSTALLATION:

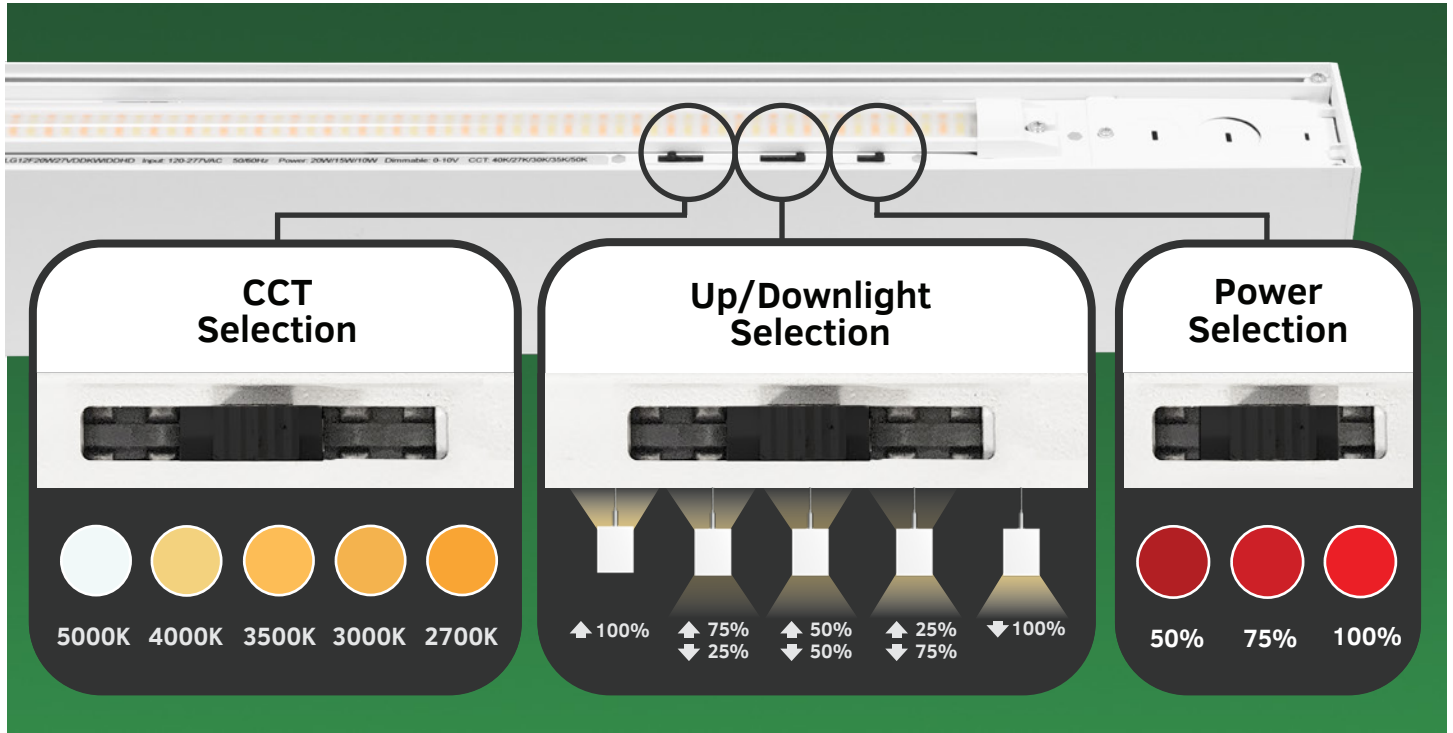
- Optional drywall pendant mounting kit.
- Optional surface mounting kit
- Optional wall mounting kit.

LISTINGS:

- DesignLights Consortium® (DLC) Premium qualified (pending).
- UL certified for damp locations.
- Rated for ambient operating temperature -4°F to 104°F (-20°C to 40°C).

Power, CCT, and Up/Downlight Adjustment Controls

Standard On All Models



Performance Data

Size	Power Level	System Watts	2700K(80CRI)		3000K(80CRI)		3500K(80CRI)		4000K(80CRI)		5000K(80CRI)	
			Lumens	Efficacy	Lumens	Efficacy	Lumens	Efficacy	Lumens	Efficacy	Lumens	Efficacy
2'	100%	20W	2500lm	125lm/W	2500lm	125lm/W	2700lm	135lm/W	2700lm	135lm/W	2600lm	130lm/W
	75%	15W	1875lm	125lm/W	1875lm	125lm/W	2025lm	135lm/W	2025lm	135lm/W	1950lm	130lm/W
	50%	10W	1250lm	125lm/W	1250lm	125lm/W	1350lm	135lm/W	1350lm	135lm/W	1300lm	130lm/W
4'	100%	40W	5000lm	125lm/W	5000lm	125lm/W	5400lm	135lm/W	5400lm	135lm/W	5200lm	130lm/W
	75%	30W	3750lm	125lm/W	3750lm	125lm/W	4050lm	135lm/W	4050lm	135lm/W	3900lm	130lm/W
	50%	20W	2500lm	125lm/W	2500lm	125lm/W	2700lm	135lm/W	2700lm	135lm/W	2600lm	130lm/W
8'	100%	80W	10000lm	125lm/W	10000lm	125lm/W	10800lm	135lm/W	10800lm	135lm/W	10400lm	130lm/W
	75%	60W	7500lm	125lm/W	7500lm	125lm/W	8100lm	135lm/W	8100lm	135lm/W	7800lm	130lm/W
	50%	40W	5000lm	125lm/W	5000lm	125lm/W	5400lm	135lm/W	5400lm	135lm/W	5200lm	130lm/W

NOTE: All data is for model with default frosted diffuser.

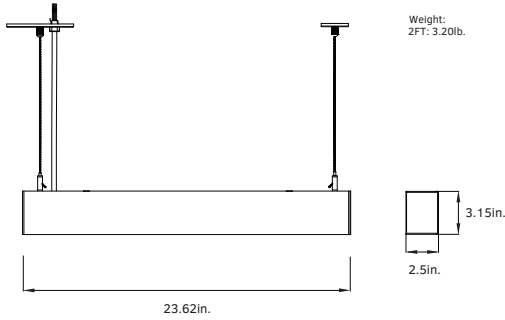
Electrical Data

Size	Number of Drivers	Driver Current (mA)	Power Level	Wattage	Current (A)			
					120V	208V	240V	277V
2'	1	430	100%	20W	0.17	0.10	0.08	0.07
			75%	15W	0.13	0.07	0.06	0.05
			50%	10W	0.08	0.05	0.04	0.04
4'	1	850	100%	40W	0.33	0.19	0.17	0.14
			75%	30W	0.25	0.14	0.13	0.11
			50%	20W	0.17	0.10	0.08	0.07

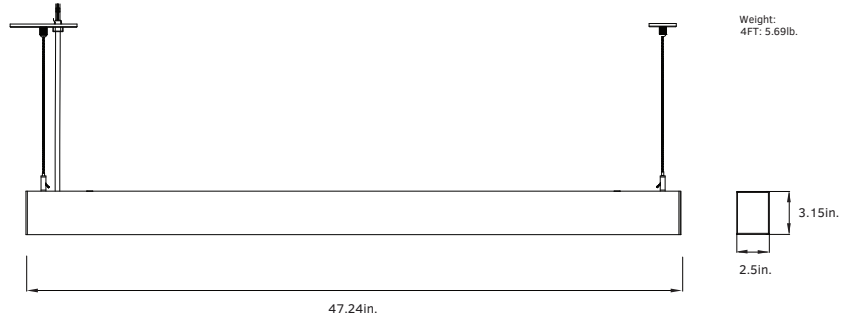
Size	Number of Drivers	Driver Current (mA)	Power Level	Wattage	Current (A)			
					120V	208V	240V	277V
8'	1	1700	100%	80W	0.67	0.38	0.33	0.29
			75%	60W	0.50	0.29	0.25	0.22
			50%	40W	0.33	0.19	0.17	0.14

Dimensions

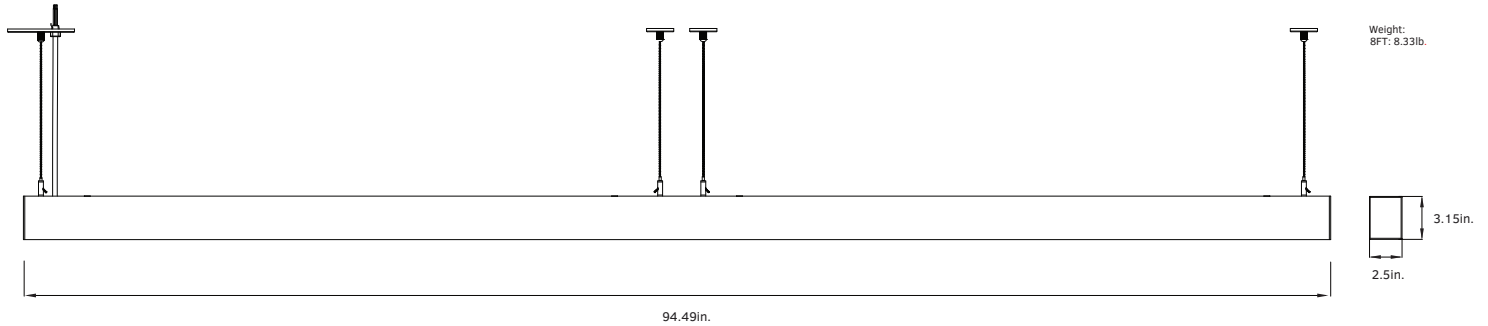
2 FOOT (20W)



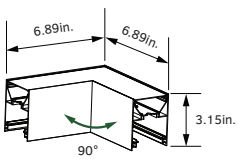
4 FOOT (40W)



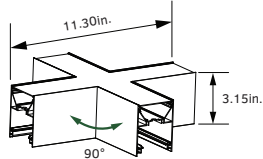
8 FOOT (80W)



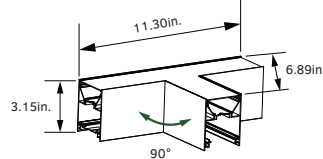
L CONNECTOR



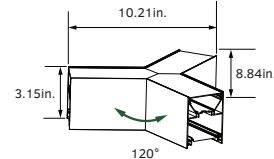
X CONNECTOR



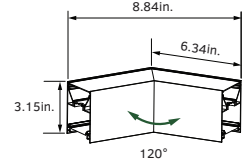
T CONNECTOR



Y CONNECTOR (Special Order)



V CONNECTOR (Special Order)



Mounting Options



DRYWALL PENDANT

Optional pendant mount allows suspended mounting from a standard drywall ceiling.



SURFACE MOUNT

Optional surface mount allows flush surface mounting to a ceiling.



WALL MOUNT

Optional wall mount allows flush surface mounting to a wall.

Connector Options

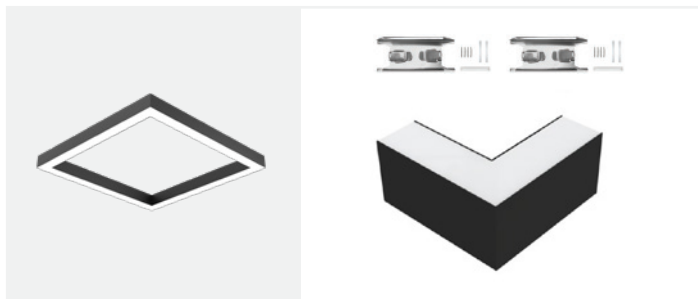
Create flush linear connections or custom lighting designs with illuminated connectors

NOTE: Lights can be connected up to 40' at 120V or up to 100' at 277V.



METAL CONNECTOR BRACKET

Used in conjunction with illuminated connectors for shapes or end to end for a flush connection between two fixtures



L CONNECTOR

Connects 2 lights at a 90° angle.



T CONNECTOR

Connects 3 lights at a 90° angle.



X CONNECTOR

Connects 4 lights at a 90° angle.



Y CONNECTOR

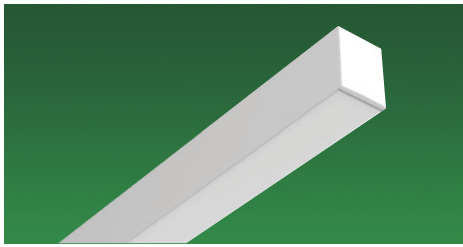
Connects 3 lights at a 120° angle. Special order only.



V CONNECTOR

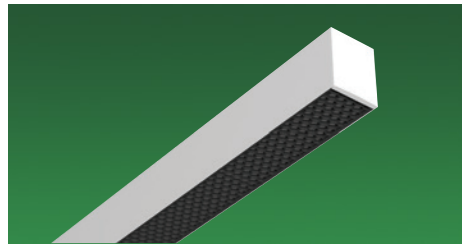
Connects 2 lights at a 120° angle. Special order only.

Direct Lens Options



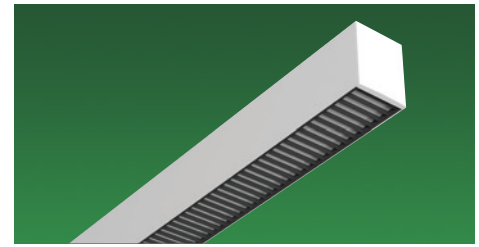
FROSTED DIFFUSER

Default frosted diffuser provides soft and comfortable light output.



HEXAGONAL LOUVER DIFFUSER

Optional hexagonal louver diffuser provides more focused lighting with UGR<19 for reduced glare on all sides of the fixture.



LOUVER DIFFUSER

Optional louver diffuser provides more focused lighting with reduced glare along the length of the fixture.

Accessories



PLUG & PLAY PIR SENSOR

Optional plug & play multi-level motion sensor detects occupancy in an area for additional energy savings.



EMERGENCY BATTERY BACKUP

Special order emergency battery backup provides up to 90 minutes of operation during power outages.

Ordering Information

Architectural Linear Light GKOARLG1											Example: GKOARGL14FT40W27VDDKYYYYYY					
Fixture Type	Size	Wattage	Voltage	CCT	Finish	Light Direction	Direct Optics	Indirect Optics	Direct/Indirect Light Output	CRI	Driver	Motion Sensor (Optional)	Battery Backup (Optional)	Mount (Optional)	Internal Code	
GKOARLG1	2F 2FT	20W	27V 120-277V	DDK CCT Selectable	B Black W White	D Direct (Down Light)	D Diffuser	D Diffuser	01 Direct 100%	H 80	D 0-10V Dimming	M With Sensor	B With Battery' Backup	DWP Drywall Pendant	Blank Alphanumeric	
	4F 4FT	40W				I Indirect & Direct (Up and Down Light)	L Louver	Blank	27 Indirect 25% Direct 75%			Blank Without Sensor	Blank Without Battery Backup	SM Surface Mount		
	8F 8FT	80W					HL Hex Louver	55 Indirect 50% Direct 50%					WM Wall Mount			
								72 Indirect 75% Direct 25%							Blank No Mount	
								10 Indirect 100%								
								Blank								

NOTE: 1. Emergency Battery Backup is special order only.