

 **WARNING**

PRODUCT MUST BE INSTALLED BY A QUALIFIED ELECTRICIAN

PLEASE READ ALL INSTRUCTIONS BEFORE ATTEMPTING INSTALLATION AND USE

- To reduce the risk of death, personal injury, or property damage from fire, electric shock, falling parts, cuts/abrasions, and other hazards, read all warnings and instructions included with this fixture, including on the fixture box and fixture labels.
- Before installing, servicing, or performing routine maintenance upon this fixture, follow these general precautions.
- Commercial installation, service, and maintenance of luminaires should be performed by a qualified licensed electrician.
- If you are unsure about the installation or maintenance of the luminaires, consult a qualified licensed electrician. Please abide by all relevant country, regional, and local code requirements and regulations when installing this luminaire. Wiring must be in accordance with NEC and all applicable local codes.
- **DO NOT INSTALL DAMAGED PRODUCT.** This luminaire has been properly packed so that no parts should have been damaged during transit. Inspect to confirm. Any part damaged or broken during or after assembly should be replaced.
- Do not make or alter any holes unnecessarily in an enclosure of wiring or electrical components during the installation.
- Turn off electrical power at the fuse or circuit breaker box before wiring fixture to the building power.
- Verify that supply voltage is correct by comparing it with the luminaire label information. Do not install with supply voltage that exceeds the rated input voltage of the luminaire.
- **DO NOT INSTALL IN WET LOCATIONS. FOR DRY AND DAMP USE ONLY.**
- **DISCONNECT OR TURN OFF POWER BEFORE INSTALLATION OR SERVICING.**
- **THE ELECTRICAL RATING OF THIS PRODUCT IS 120–277V. INSTALLER MUST CONFIRM THAT THE VOLTAGE AT THE INTENDED INSTALLATION LOCATION IS 120–277V BEFORE INSTALLATION.**

Installation Guide

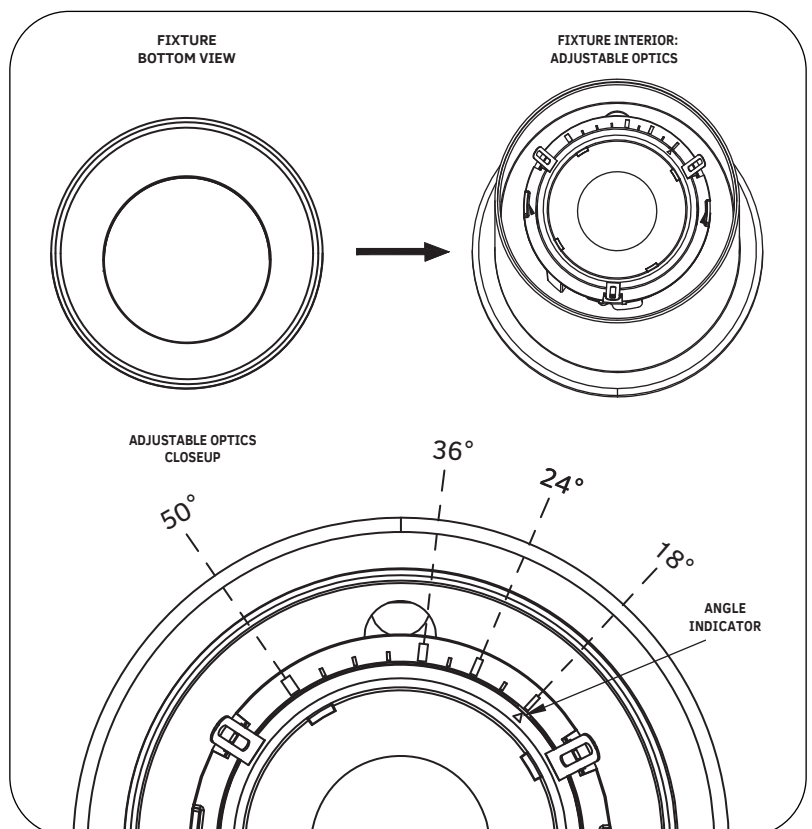
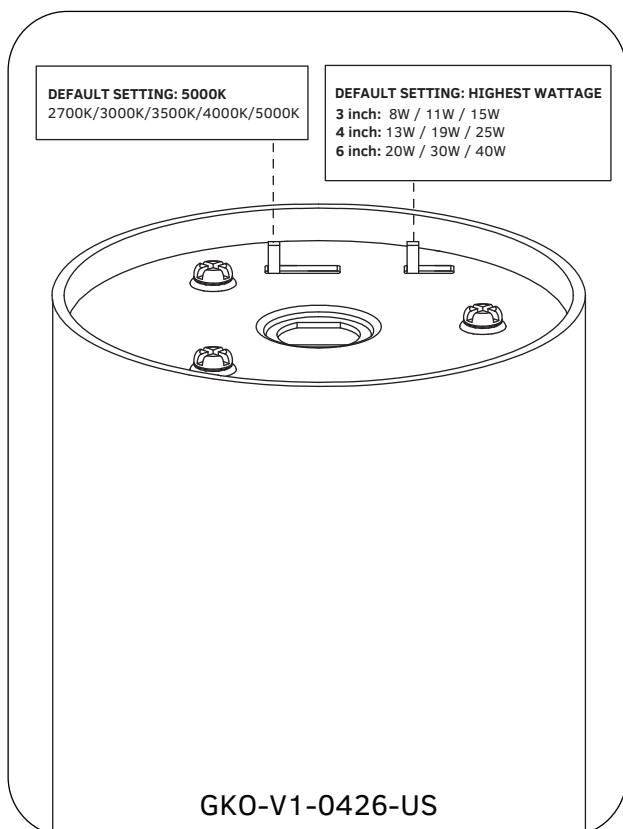
Always turn off the power supply from main circuit breaker first before installing.

Power / CCT / Beam Angle Selection - Included On All Models

It is recommended to make any adjustments to Power, CCT, and the beam angle prior to installation.

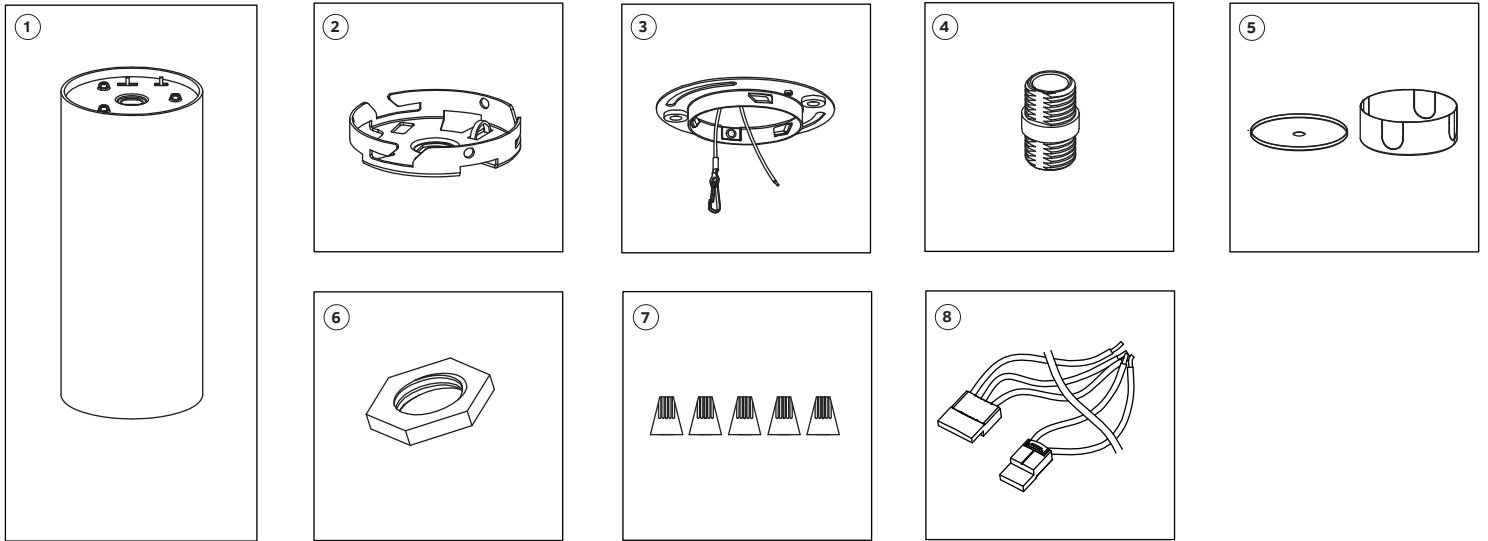
1. Select power and CCT using the two dip switches on the top of the fixture.

2. By default, the fixture is set to the maximum angle of 50°. If a different angle is needed, pull out the trim and rotate the optics column to the desired angle, then replace the trim. The angle is continuously adjustable from 50° to 18°, with presets at 50°, 36°, 24°, and 18°.

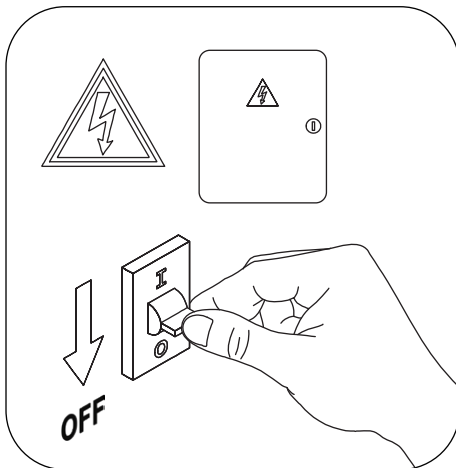


Surface Mounting

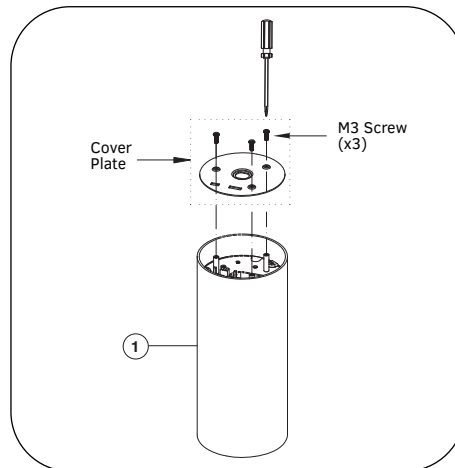
Surface Mounting - Included Components



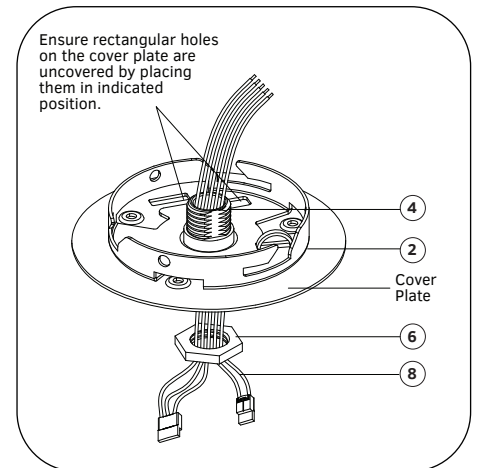
Surface Mounting - Directions



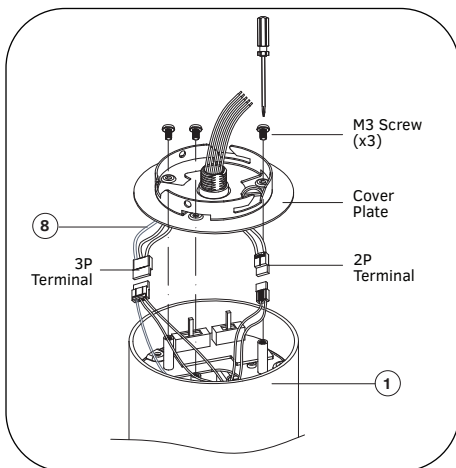
1. Before beginning installation, turn off the main power switch.



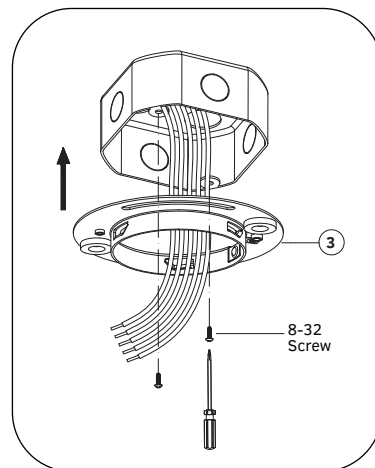
2. Using a screwdriver, loosen the three M3 screws used to secure the cover plate to ① and remove the cover plate. NOTE: Cover plate may arrive already detached from fixture.



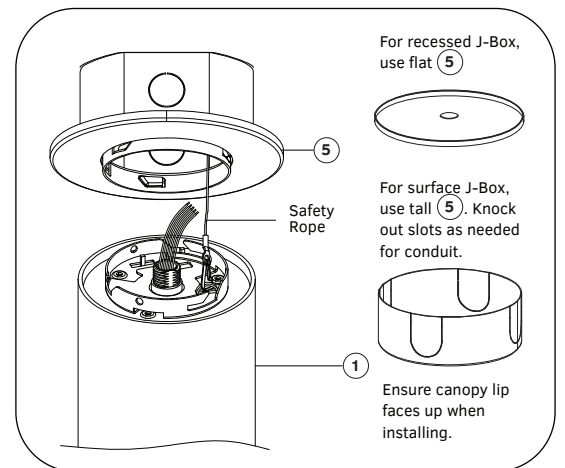
3. Use ④ to connect ② to the cover plate, then attach ⑥ to ④ under the cover plate to secure it in place. Pass ⑧ through the hole in ④, making sure the terminals face down.



4. Connect the 2P and 3P terminals of ① and ⑧ together. Reattach the cover plate to ① using the three M3 screws.



5. Use the 8-32 screws included with the junction box to attach ③ to the junction box.

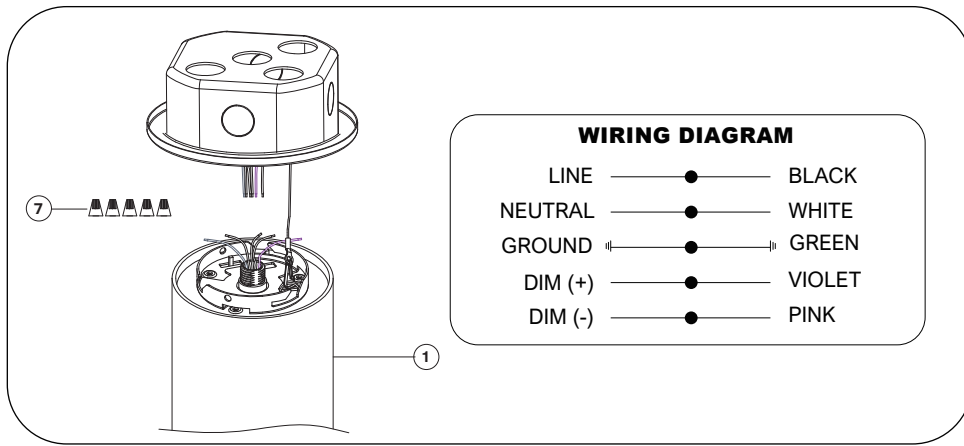


6. Attach ⑤ to the junction box, then take out the safety rope from ③ and attach it to ①.

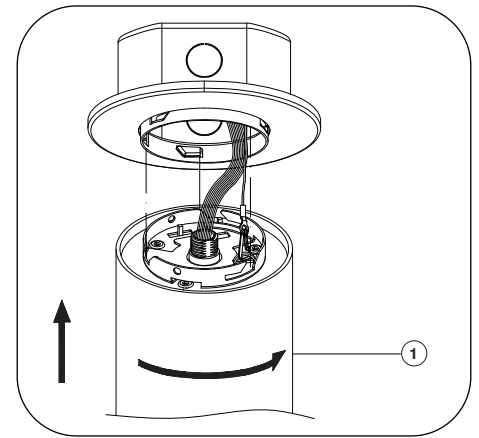
For recessed J-Box, use flat ⑤

For surface J-Box, use tall ⑤. Knock out slots as needed for conduit.

Ensure canopy lip faces up when installing.



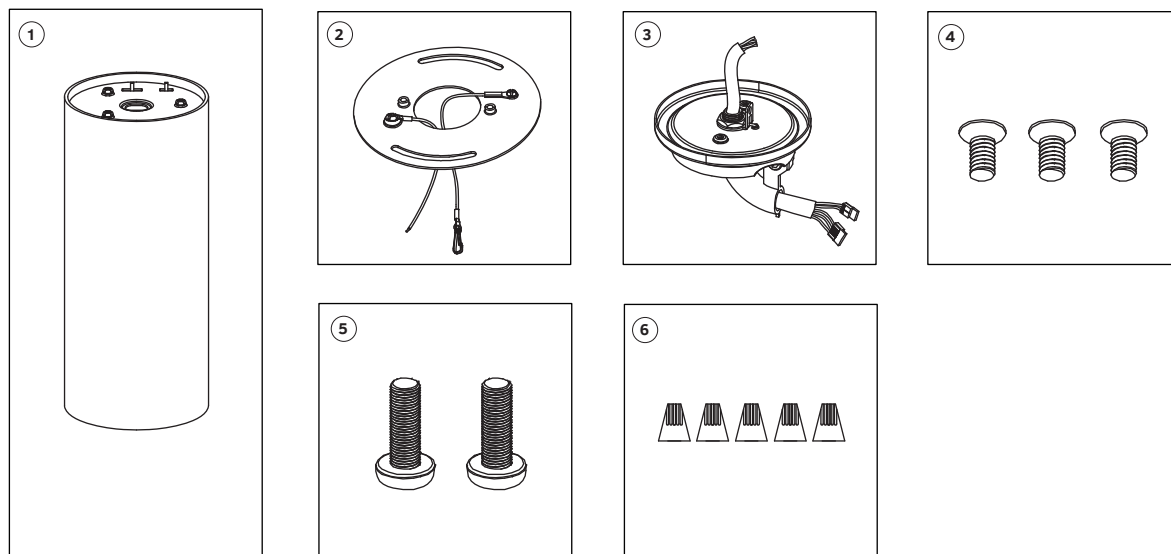
7. Make wiring connections as per the wiring diagram using ⑦.



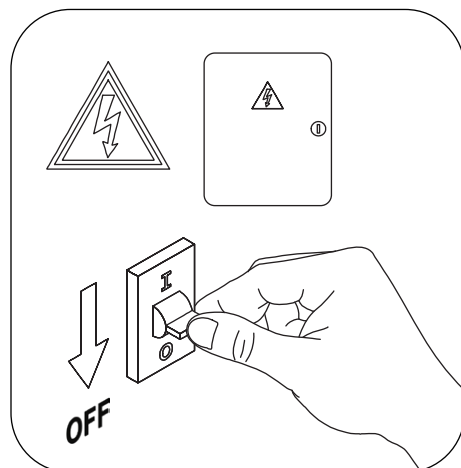
8. Align the bracket slots on ① with the clamping points on the junction box, then push ① up into the junction box and rotate it counterclockwise to lock it in place. Installation is complete.

Adjustable Surface Mounting

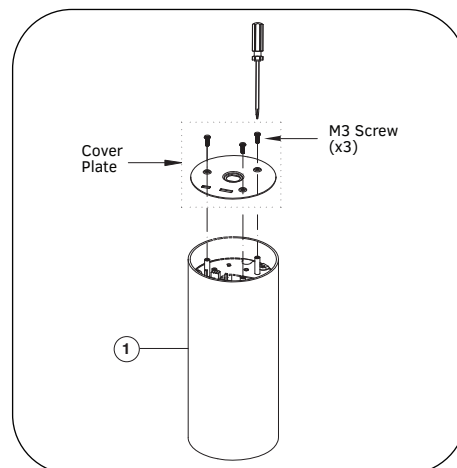
Adjustable Surface Mounting - Included Components



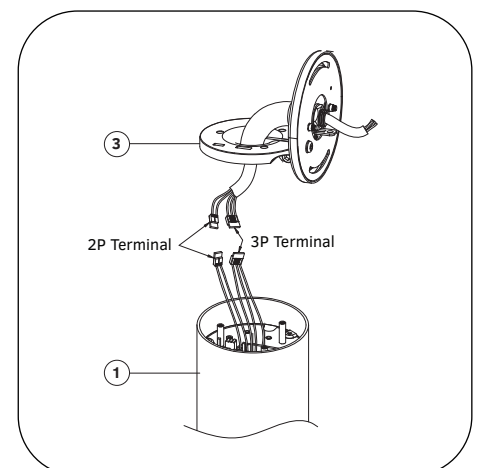
Adjustable Surface Mounting - Directions



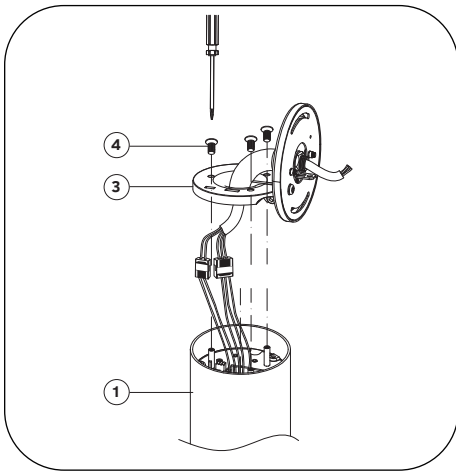
1. Before beginning installation, turn off the main power switch.



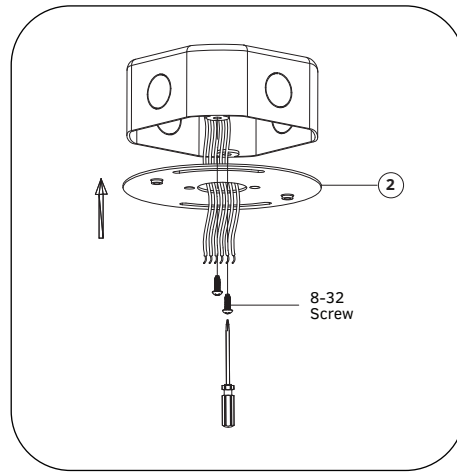
2. Using a screwdriver, loosen the three M3 screws used to secure the cover plate to ① and remove the cover plate. NOTE: Cover plate may arrive already detached from fixture.



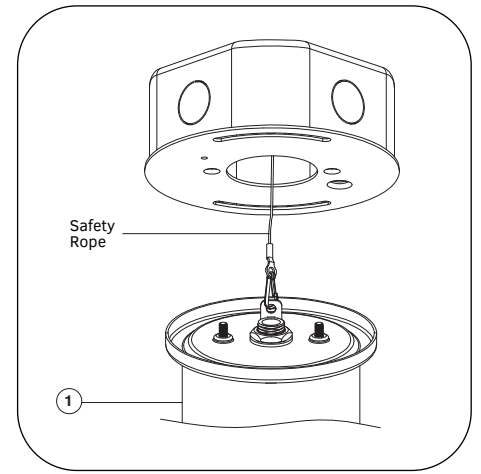
3. Attach the 2P and 3P terminals of ① and ③ together.



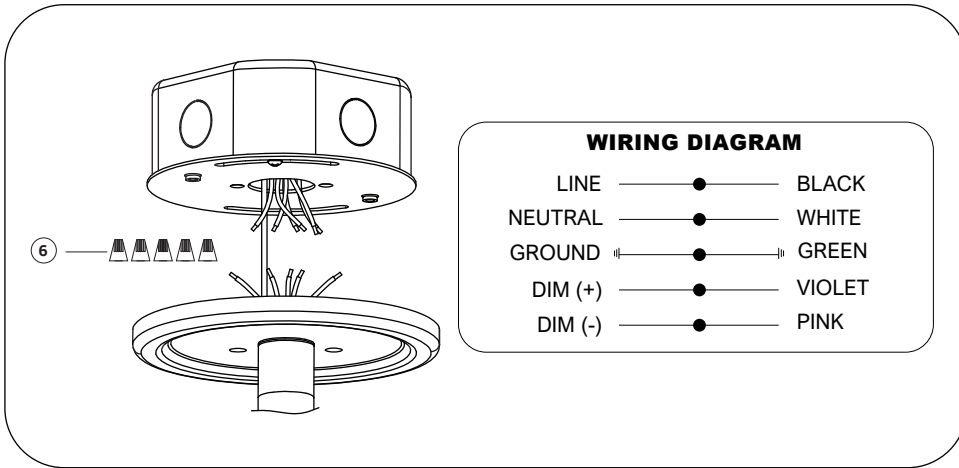
4. Use (4) to secure (3) to (1).



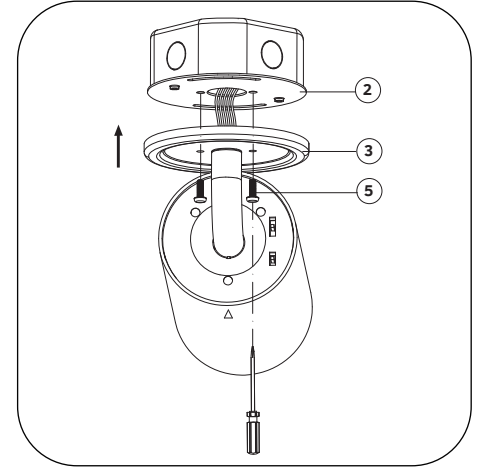
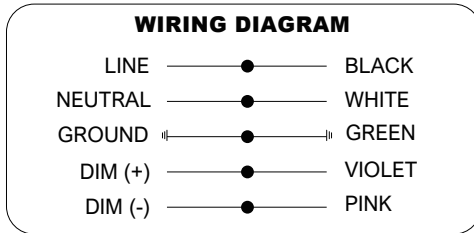
5. Use the 8-32 screws included with the junction box to attach (2) to the junction box.



6. Take out the safety rope from (2) and attach it to (1).



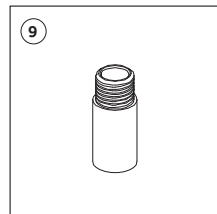
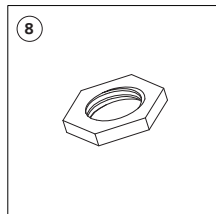
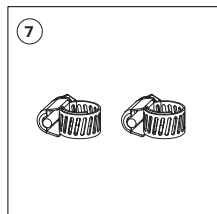
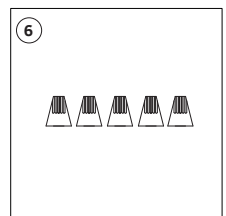
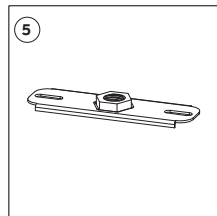
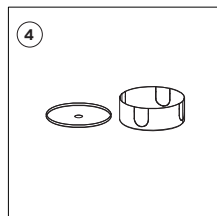
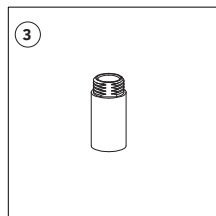
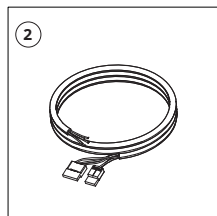
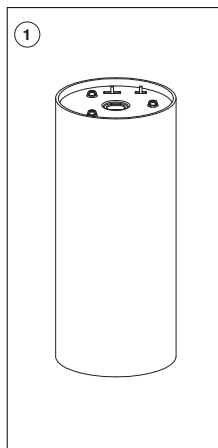
7. Make wiring connections as per the wiring diagram using (6).



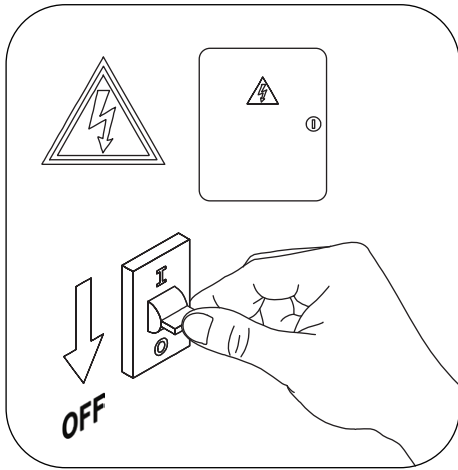
8. Push the wires and terminal caps into the junction box. Secure (3) to (2) using (5). Installation is complete.

Adjustable Cord Mounting

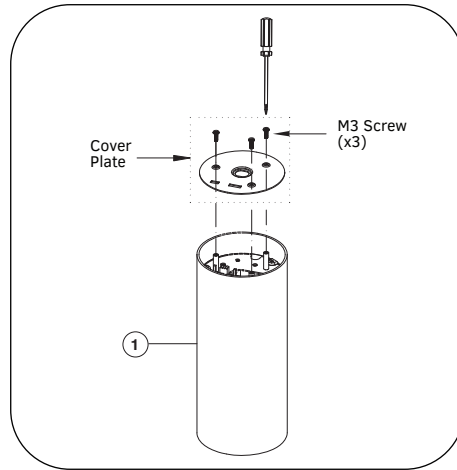
Adjustable Cord Mounting - Included Components



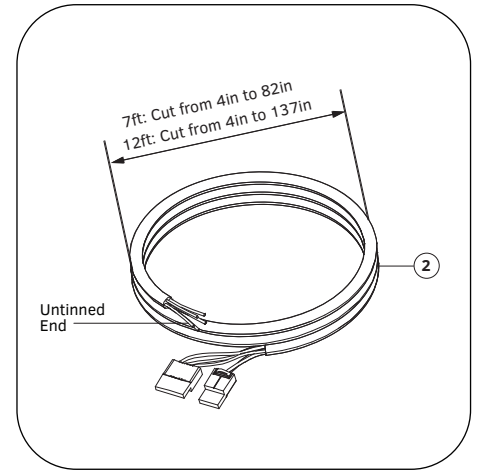
Adjustable Cord Mounting - Directions



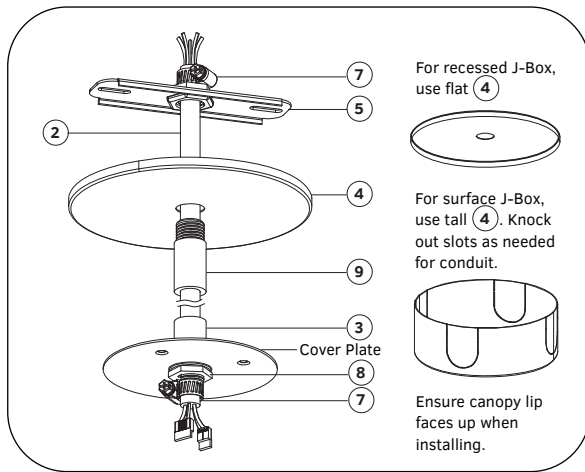
1. Before beginning installation, turn off the main power switch.



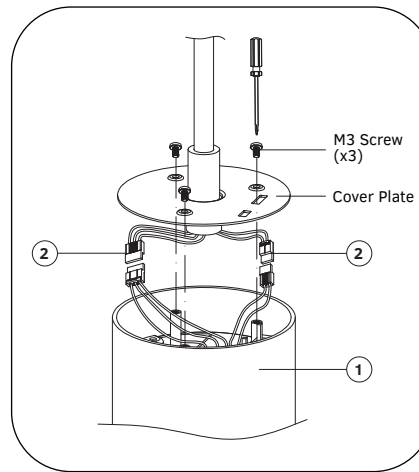
2. Using a screwdriver, loosen the three M3 screws used to secure the cover plate to ① and remove the cover plate. NOTE: Cover plate may arrive already detached from fixture.



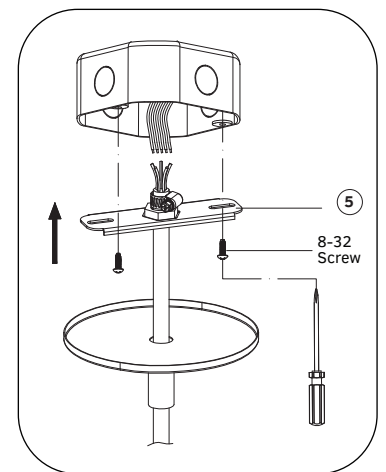
3. Cut the untinned end of ② to the desired size. Cable is available in 7ft or 12ft sizes. Do not skip this step.



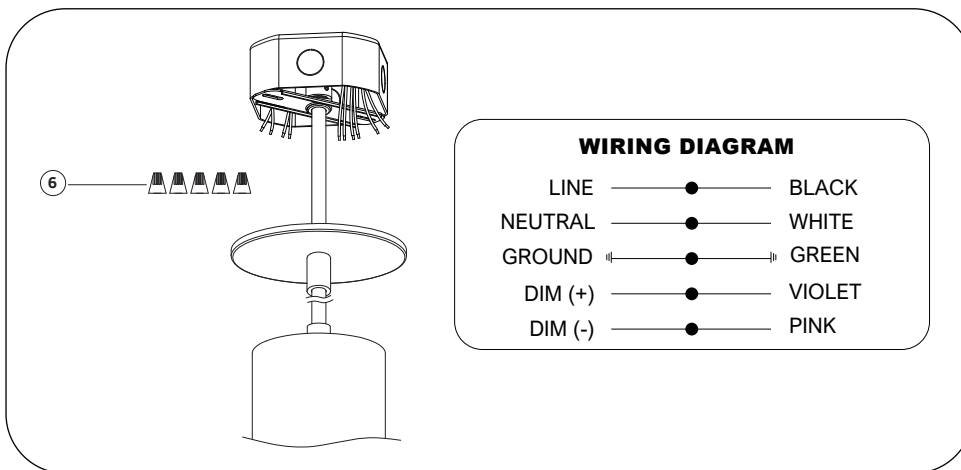
4. In sequence, thread ③ into the cover plate and tighten with ⑧. Thread ④ and ⑤ onto ⑨ and tighten. Then, insert ② into ⑦ on the terminal side, insert ② into the assembly from the bottom as shown and tighten at the top with ⑦.



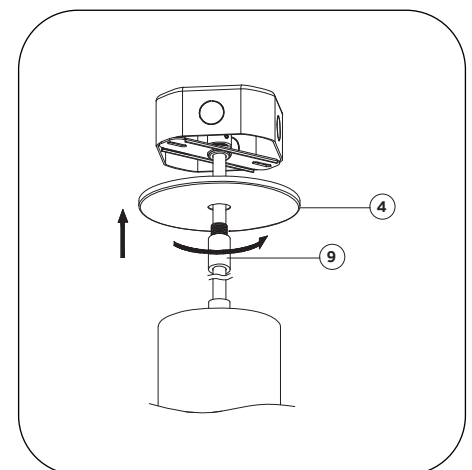
5. Connect the 2P and 3P terminals of ① and ②, then use the M3 screws to reattach the cover plate to ①.



6. Use the 8-32 screws included with the junction box to attach ⑤ to the junction box.



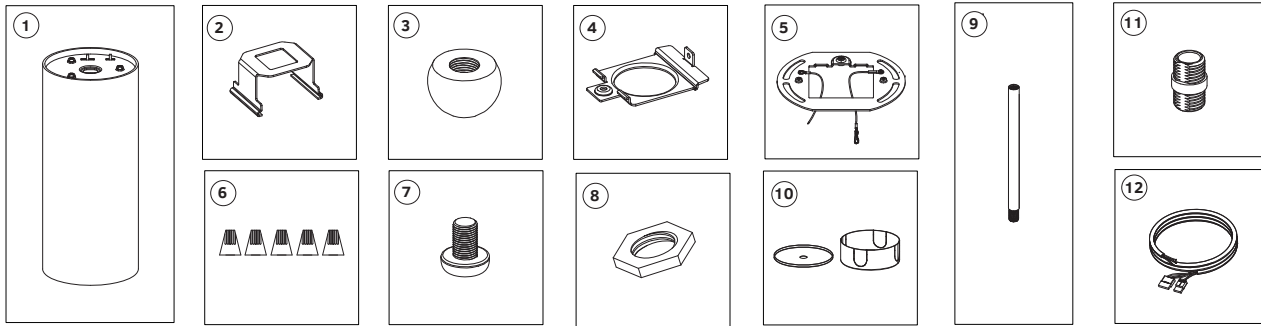
7. Make wiring connections as per the wiring diagram using ⑥.



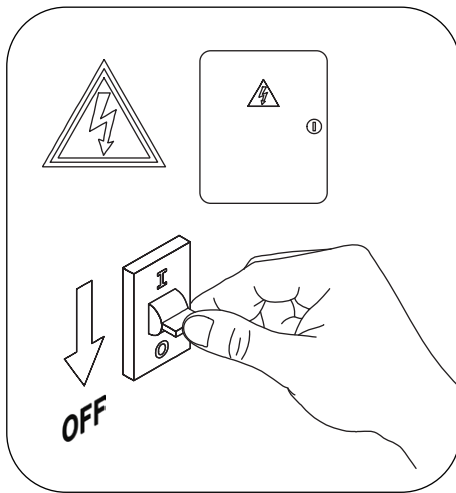
8. Push the wires and terminal caps into the junction box, secure them with ④ and tighten them with ⑨. Installation is complete.

Adjustable Stem Mounting

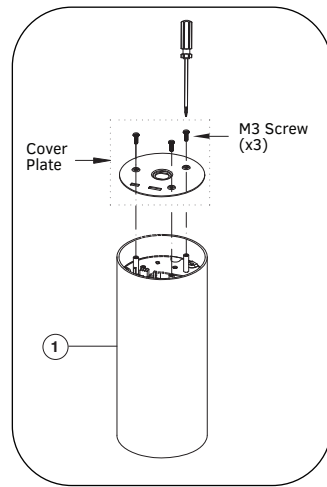
Adjustable Stem Mounting - Included Components



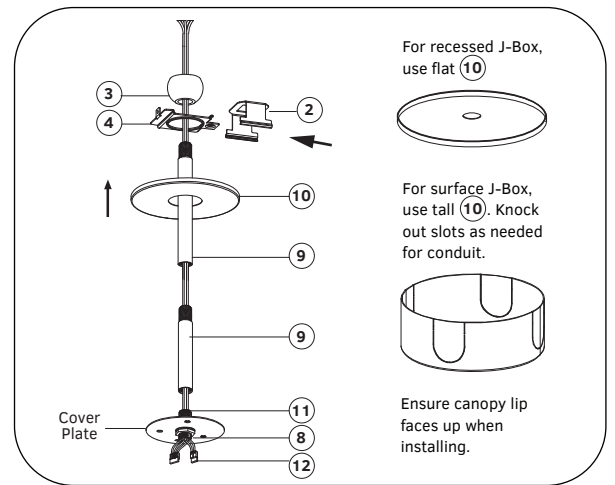
Adjustable Stem Mounting - Directions



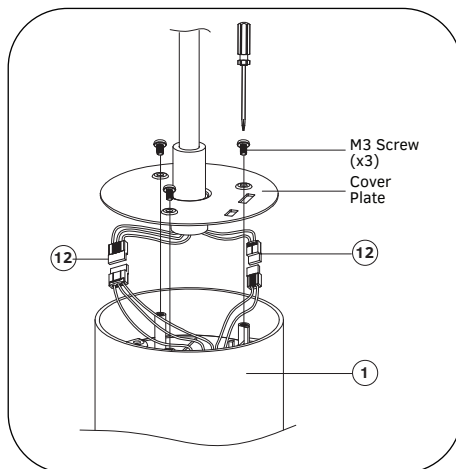
1. Before beginning installation, turn off the main power switch.



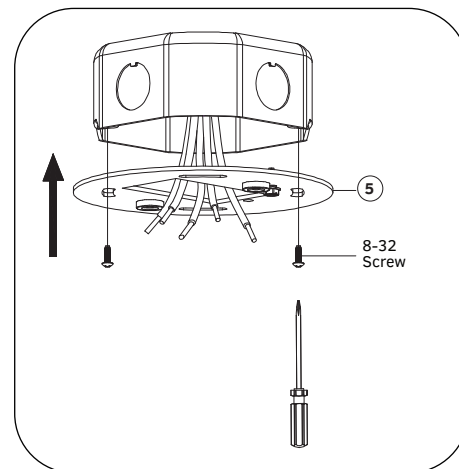
2. Using a screwdriver, loosen the three M3 screws used to secure the cover plate to ① and remove the cover plate. NOTE: Cover plate may arrive already detached from fixture.



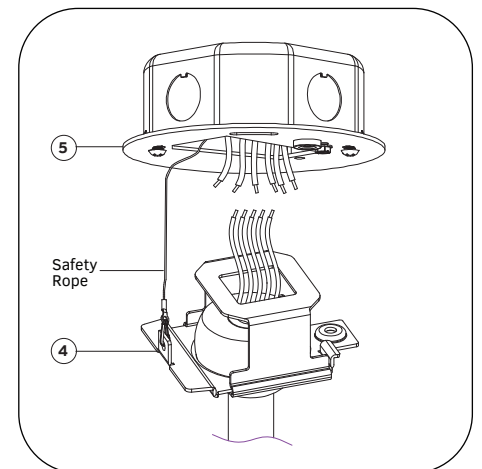
3. Slide ⑪ into the cover plate and tighten with ⑧ as indicated, then connect the desired amount of ⑨ together (from one to seven pieces may be used as needed). Thread the connected ⑨ onto ⑪ and slide ⑩ onto the connected ⑨ as shown. Slide ⑨ through ④ and ③ as shown and tighten, then slide ② onto ④ in the direction of the arrow. Pass ⑫ through ⑨ through the bottom of the assembly as shown.



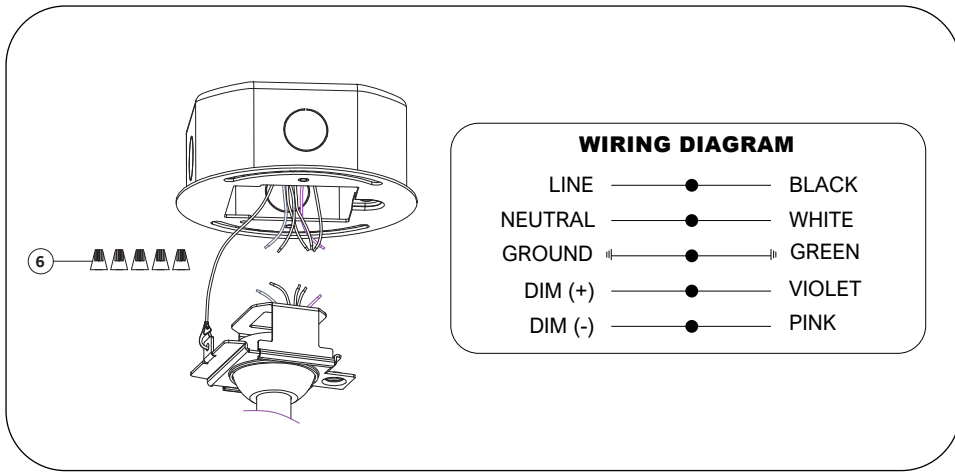
4. Connect the 2P and 3P terminals of ① and ⑫, then use the M3 screws to reattach the cover plate to ①.



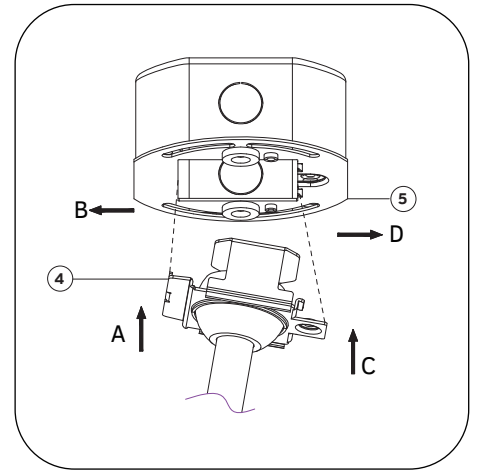
5. Use the 8-32 screws included with the junction box to attach ⑤ to the junction box.



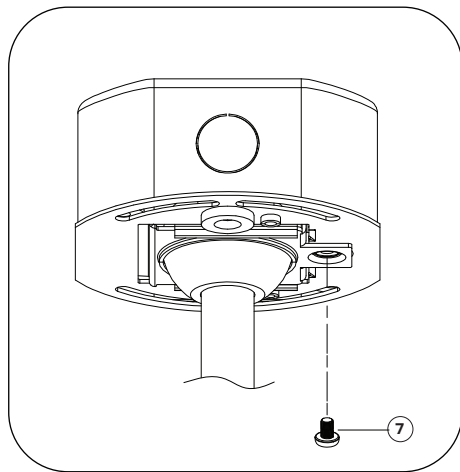
6. Take out the safety rope from ⑤ and attach it to ④.



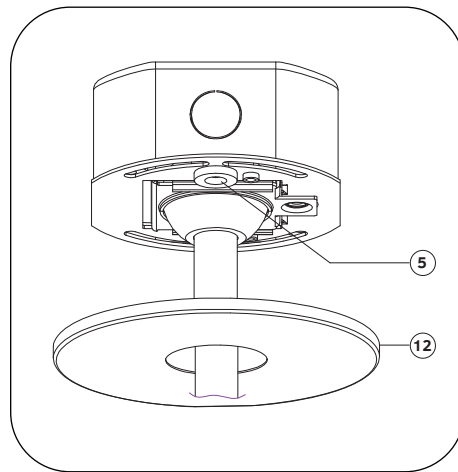
7. Make wiring connections as per the wiring diagram using ⑥.



8. Push ④ into ⑤ in direction A, then push it left in direction B, then push it up again in direction C, then push it to the right in direction D.



9. After hanging the fixture, lock it in place using ⑦.



10. Push ⑫ up and attach it to the magnet on ⑤. Installation is complete.