



70W / 105W



150W

Product Overview

The GKORLG2 Roadway Light provides uncompromising optical performance and outstanding versatility. Our customer-focused features include single latch toolless entry, industry leading surge protection options and superior lumen performance, all in a modern design. A twist-lock photocell is included with every light for additional energy savings.



Key Features

CONSTRUCTION:

- Rugged die-cast aluminum housing.
- Housing has direct contact with the driver to help maintain low temperature.
- Housing is completely sealed against moisture and environmental contaminants.

FINISH:

- The exterior is protected by a rust-resistant powder coat finish that provides superior resistance to weathering and corrosion.

OPTICS:

- Available in Type III and special order Type II and Type IV light distribution.
- Light engines are available in standard 4000K and 5000K and special order 3000K and 3500K configurations.
- A range of lumen options available from 9,200 to 20,000 Lumens, replaces up to 400W metal halide.
- Impact and UV-resistant polycarbonate lens is precisely designed to give a specific light distribution, maximizing efficiency and application spacing.

WARRANTY:

- 5 Year Limited Warranty.

ELECTRICAL:

- Universal 120-277V or 347-480V input voltage.
- 10KA surge protection for 120-277V and 20KA surge protection for 347-480V.
- 1-10V dimming driver(s) as default.
- THD: ≤20%, Power Factor: ≥90%.

CONTROLS:

- Included NEMA 3-pin twist-lock photocell for further energy savings - PO 120-277V (field-installed).

INSTALLATION:

- A hinged door enables easy installation by a single person.
- Mounts on standard horizontal tenons ranging from 1-5/8" to 2-3/8" O.D.

LISTINGS:

- DesignLights Consortium® (DLC) Premium qualified.
- UL listed for wet locations.
- Rated for ambient operating temperature -40°F to 104°F (-40°C to 40°C).

Performance Data

Lumen Output

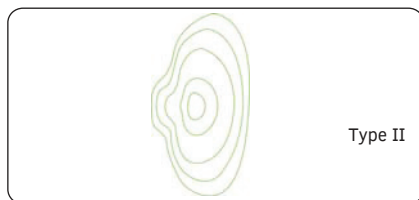
System Watts	Voltage	Distribution Type	CRI	3000K		3500K		4000K		5000K		EPA
				Lumens	Efficacy	Lumens	Efficacy	Lumens	Efficacy	Lumens	Efficacy	
70W	120-277V	3	70	9600lm	137lm/W	9600lm	137lm/W	9900lm	141lm/W	9900lm	141lm/W	0.4567
70W	347-480V	3	70	9200lm	131lm/W	9200lm	131lm/W	9400lm	134lm/W	9400lm	134lm/W	0.4567
105W	120-277V	3	70	14300lm	136lm/W	14300lm	136lm/W	14600lm	139lm/W	14600lm	139lm/W	0.4567
105W	347-480V	3	70	14000lm	133lm/W	14000lm	133lm/W	14200lm	135lm/W	14200lm	135lm/W	0.4567
150W	120-277V	3	70	19500lm	130lm/W	19600lm	131lm/W	19800lm	132lm/W	20000lm	133lm/W	0.4711
150W	347-480V	3	70	19500lm	130lm/W	19600lm	131lm/W	19800lm	132lm/W	20000lm	133lm/W	0.4711

Electrical Data

Number Of Drivers	Driver Current (mA)	Nominal Power (W)	Input Voltage (V)	Current (Amps)
1	1110	70	120	0.58
		70	208	0.34
		70	240	0.29
		70	277	0.25
	1850	70	347	0.20
		70	480	0.15
1	850	105	120	0.88
		105	208	0.50
		105	240	0.44
		105	277	0.38
	2520	105	347	0.30
		105	480	0.22
1	5600	150	120	1.25
		150	208	0.72
		150	240	0.63
		150	277	0.54
		150	347	0.43
		150	480	0.31

Light Distribution

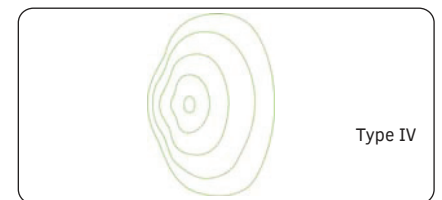
Type II optics creates an asymmetric distribution working well in walkway and roadway applications where more light is required "street side" than "house side".



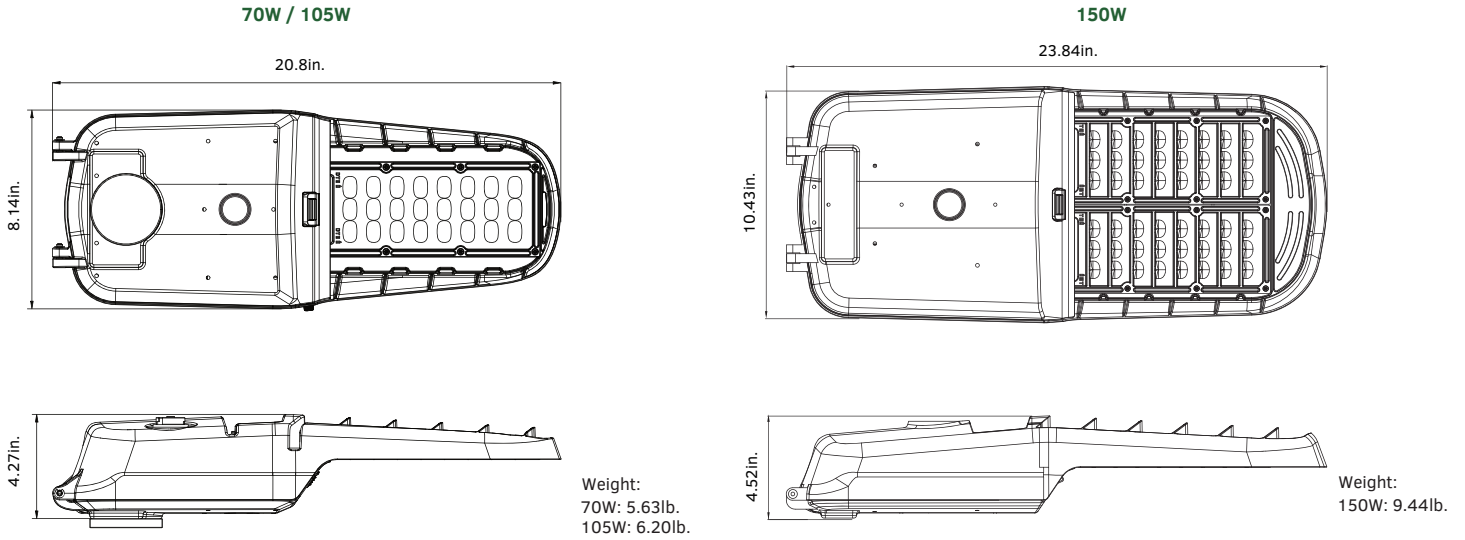
Type III optics produces an asymmetrical pattern that directs the majority of the light forward and equally on both sides of the luminaire. In a back-to-back configuration, it creates a rectangular pattern which can extend pole spacings.



Type IV is suitable for applications where light is primarily required to be directed forward with minimal backlight. Typical installations include perimeter poles.



Dimensions & Weight



Accessories



TWIST-LOCK PHOTOCELL
 Included NEMA 3-pin twist-lock photocell adds dusk to dawn function for additional energy savings (field-installed).

Ordering Information

Roadway Light Series GKORLG2					Example: GKORLG2105W27VXXKYYYYY		
Fixture Type	Wattage	Voltage	CCT	Finish	Photocell (Included)	Photometry	Internal Code
<input type="checkbox"/>	<input type="checkbox"/>	<input type="checkbox"/>	<input type="checkbox"/>	<input type="checkbox"/>	<input type="checkbox"/>	<input type="checkbox"/>	<input type="checkbox"/>
GKORLG2	70W 105W 150W	27V 120-277V 48V 347-480V	30K 3000K* 35K 3500K* 40K 4000K 50K 5000K	SG Silver Grey D Dark Bronze* B Black* W White*	P With Photocell Blank No Photocell	T2 Type II* T3 Type III T4 Type IV*	Blank Alphanumeric

NOTE: *Special order only.