

 **WARNING**

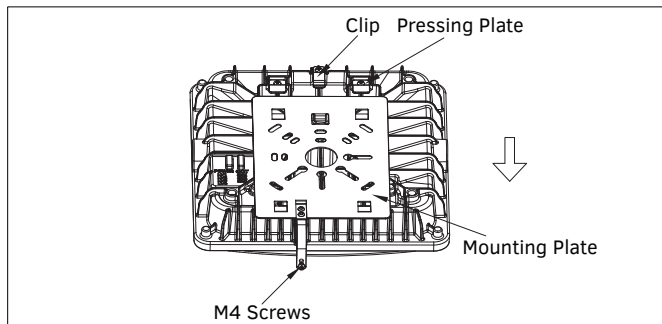
PLEASE READ ALL INSTRUCTIONS BEFORE ATTEMPTING INSTALLATION

- To prevent personal injury or product damage only licensed electricians should install.
- To avoid electric shock or component damage disconnect power before attempting installation or servicing.
- This product must be installed in accordance with the national electric code (NEC) and all applicable federal, state and local electric codes and safety standards.
- Disconnect product and allow cooling prior to servicing.
- Any alteration or modification of this product is expressly forbidden as it may cause serious personal injury, death, property damage and/or product malfunction.
- To prevent product malfunction and/or electrical shock this product must be properly grounded.
- This luminaire is designed to operate in ambient temperatures ranging from -40°F to 104°F (-40°C to 40°C) and to be horizontally mounted with the LEDs facing down.
- This product is not suitable for several special environments, such as places with corrosive gas liquids or high pressure water vapor.

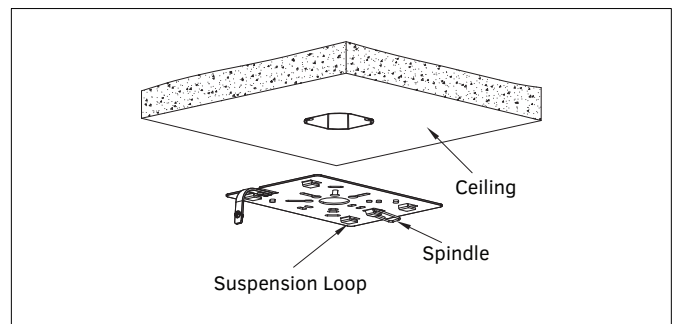
Installation Guide

1. Surface Mounting with J-Box

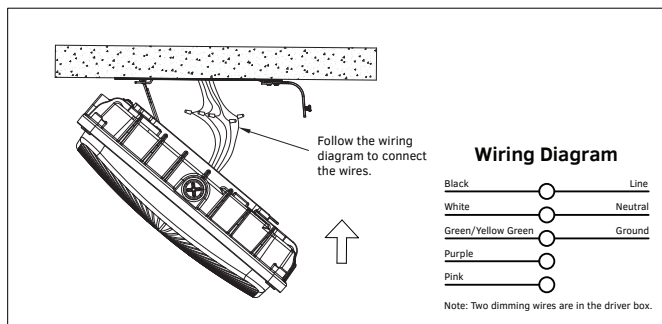
1. Loosen and remove the M4 Screws used to attach the mounting plate, located on the sides of the fixture.



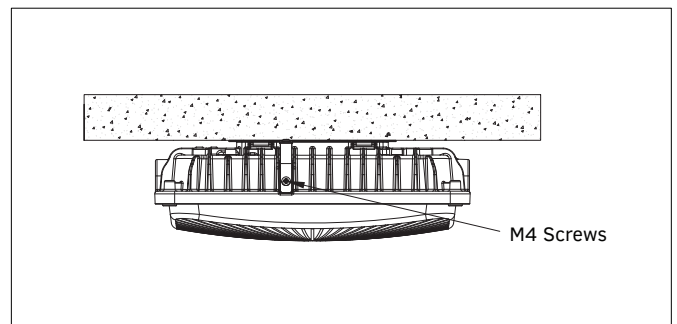
2. Attach the mounting plate to the ceiling using screws up to M5 (not included).



3. Connect the clip on the fixture to the spindle of the mounting plate to ensure the fixture will not slip and fall. Connect the line voltage to the fixture wires, following the wiring diagram. Push the pressing plate into the suspension loop on the mounting plate.

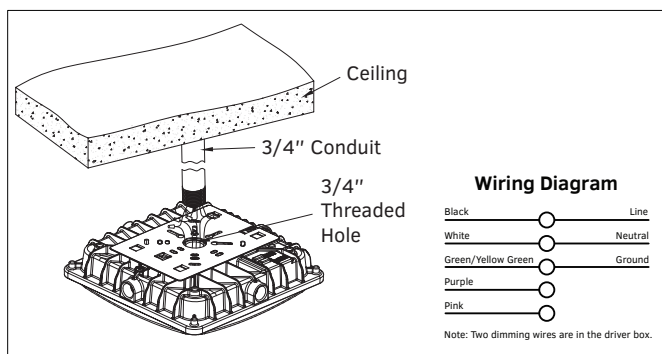


4. Reattach the fixture to the mounting plate using the M4 Screws to complete installation.



2. Pendant Mounting With 3/4" Conduit

1. Follow the wiring diagram to connect the line voltage to the fixture wires.
2. Screw the fixture onto the 3/4" conduit to complete installation.



3. Power and CCT Adjustment Controls

Adjust the Power and CCT dial switches to the corresponding color temperature and power in the application requirements. It is recommended to set Power & CCT before installation.

