



60W



110W

Product Overview

A cost-effective, energy-saving lighting solution for indoor and outdoor surface mounting applications, the Series GKOCPG7 Square Canopy Light features an innovative thin design with excellent heat dissipation. Power & CCT adjustment controls are easily accessed from the exterior of the housing.

Key Features

CONSTRUCTION:

- Rugged die-cast aluminum housing with integral heat sink fins.
- Housing has direct contact with the driver to help maintain low temperature and long lifespan.
- Housing is completely sealed against moisture and environmental contaminants.

FINISH:

- The exterior is protected by a rust-resistant powder coat finish that provides superior resistance to weathering and corrosion.

OPTICS:

- General light distribution.
- Light engines are available in selectable 3000K, 4000K and 5000K configurations.
- A range of lumen options available from 3,700 to 16,500 Lumens, replaces up to 400W metal halide.
- Impact and UV-resistant polycarbonate lens is precisely designed to give a specific light distribution, maximizing efficiency and application spacing.

WARRANTY:

- 5 Year Limited Warranty.

LISTINGS:

- DesignLights Consortium® (DLC) Premium qualified (pending).
- UL listed for wet locations.
- Rated for ambient operating temperature -40°F to 104°F (-40°C to 40°C).

PENDING



ELECTRICAL:

- Universal 120-277V input voltage.
- Integrated 4KV surge protection for 60W and 6KV for 110W with additional 10KV surge protection optional (factory-installed, extended lead time).
- 0-10V dimming driver(s) as default.
- THD: ≤20%, Power Factor: ≥90%.

CONTROLS:

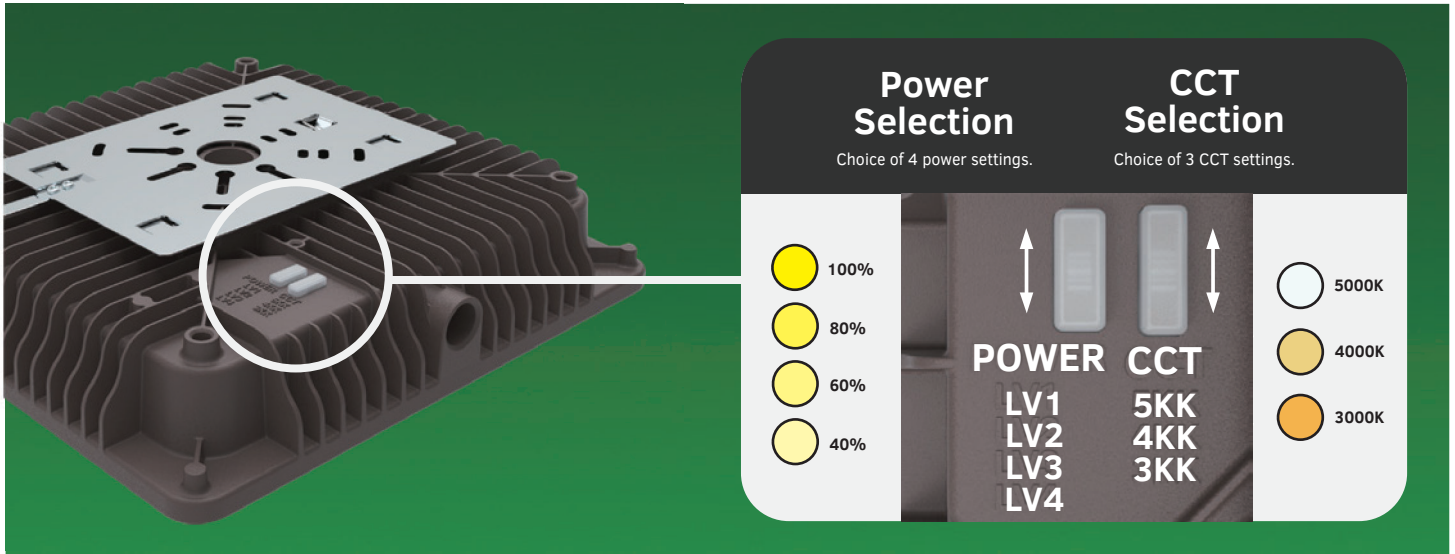
- Power & CCT adjustment controls are included, enabling power selection from 100%, 80%, 60%, or 40%, and CCT selection from 3000K, 4000K and 5000K.
- Optional integrated microwave motion sensor US002-01VR-2 (factory-installed, extended lead time) or special order external PIR motion sensor BRI819P-LB. Motion sensor is not compatible with photocell.
- Optional emergency battery backup provides up to 90 minutes of operation during outages (extended lead time). Factory-installed top-mounted and field-installed side-mounted options available.
- Optional button photocell MS-PUNVC01 (factory-installed) or special order integrated photocell. Photocell is not compatible with motion sensor.

INSTALLATION:

- Surface mount or pendant mount options are available.
- Quick-mount bracket eliminates the need to open luminaire for installation.

Power & CCT Adjustment Controls

Included On All Models



Performance Data

Lumen Output

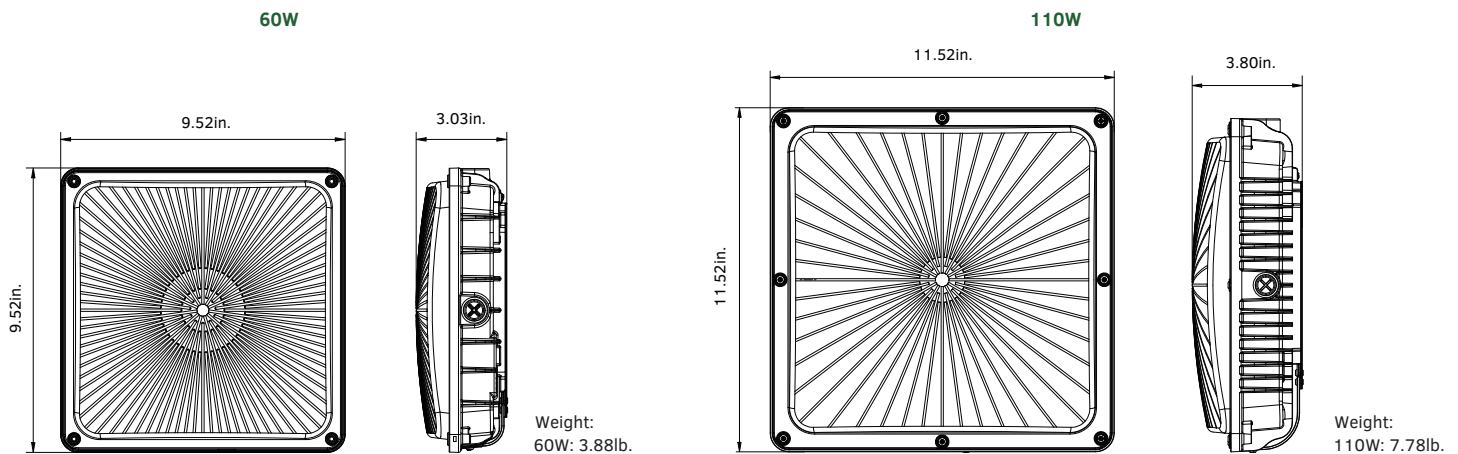
60W (70CRI)							
Setting	System Watts	3000K		4000K		5000K	
		Lumens	Efficacy	Lumens	Efficacy	Lumens	Efficacy
100%	60W	7800lm	130lm/W	8400lm	140lm/W	8000lm	133lm/W
80%	46W	6500lm	141lm/W	7000lm	152lm/W	6600lm	143lm/W
60%	35W	5200lm	149lm/W	5600lm	160lm/W	5300lm	151lm/W
40%	24W	3700lm	154lm/W	4000lm	167lm/W	3800lm	158lm/W

110W (70 CRI)							
Setting	System Watts	3000K		4000K		5000K	
		Lumens	Efficacy	Lumens	Efficacy	Lumens	Efficacy
100%	110W	16200lm	147lm/W	17000lm	155lm/W	16500lm	150lm/W
80%	88W	13200lm	150lm/W	14000lm	159lm/W	13500lm	153lm/W
60%	66W	10200lm	155lm/W	10800lm	164lm/W	10500lm	159lm/W
40%	44W	7000lm	159lm/W	7400lm	168lm/W	7200lm	164lm/W

Electrical Data

Number Of Drivers	Driver Current (mA)	Nominal Power (W)	Input Voltage (V)	Current (Amps)
1	900	60	120	0.50
		60	208	0.29
		60	240	0.25
		60	277	0.22
		60	347	0.17
1	850	110	120	0.92
		110	208	0.53
		110	240	0.46
		110	277	0.40
		110	347	0.32

Dimensions & Weight



Mounting Options



QUICK MOUNT PLATE
Allows straightforward J-Box mounting without the need to open the fixture for installation.



PENDANT MOUNT
A 3/4" conduit entry point ensures easy pendant installation.

Accessories



MICROWAVE MOTION SENSOR
Optional factory-installed integrated microwave motion sensor detects occupancy in an area for additional energy savings (extended lead time). Not compatible with photocell.



PIR MOTION SENSOR
Special order PIR multi-level motion sensor detects occupancy in an area for additional energy savings. Not compatible with photocell.



BUTTON PHOTOCELL
Optional factory-installed button photocell adds dusk to dawn function for additional energy savings. Not compatible with motion sensor.



INTEGRATED PHOTOCELL
Special order integrated photocell adds dusk to dawn function for additional energy savings. Not compatible with motion sensor.



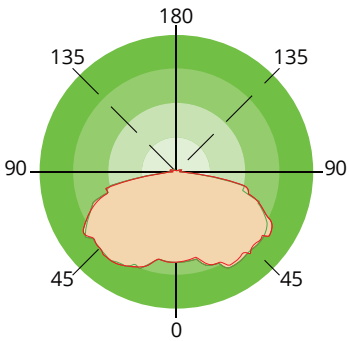
EMERGENCY BATTERY BACKUP
Optional factory-installed top-mounted emergency battery backup provides up to 90 minutes of operation during power outages (extended lead time).



EMERGENCY BATTERY BACKUP
 Optional field-installed side-mounted emergency battery backup provides up to 90 minutes of operation during power outages (extended lead time).

Light Distribution

General Distribution



Ordering Information

Square Canopy Light Series GKOCPG7

Example: GKOCPG760W27VDDKYYYYYY

Fixture Type	Wattage	Voltage	CCT	Finish	Photocell (Option)	Sensor (Option)	Emergency Battery (Option)	Surge Protection (Option)	Adjustment Dial	Internal Code
<input type="text"/>	<input type="text"/>	<input type="text"/>	<input type="text"/>	<input type="text"/>	<input type="text"/>	<input type="text"/>	<input type="text"/>	<input type="text"/>	<input type="text"/>	<input type="text"/>
GKOCPG7	60W 110W	27V 120-277V	DDK Power & CCT Selectable	D Dark Bronze B Black* W White	P 120-277V Photocell Blank No Photocell	M 120-277V Sensor Blank No Sensor	B Emergency Battery Blank No Battery	S Surge Protection Blank No Surge Protection	AD Power & CCT Adjustment Dial Blank No Power & CCT Adjustment Dial	Blank Alphanumeric

NOTE: *Special order only.