

**WARNING**

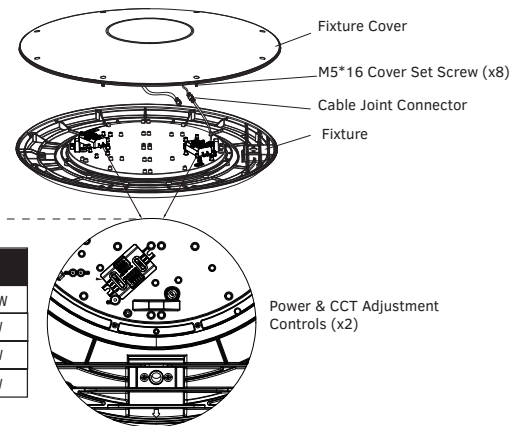
**PLEASE READ ALL INSTRUCTIONS BEFORE ATTEMPTING INSTALLATION**

- To prevent personal injury or product damage only licensed electricians should install.
- To avoid electric shock or component damage, disconnect power before attempting installation or servicing.
- This product must be installed in accordance with the national electric code (NEC) and all applicable federal, state, and local electric codes and safety standards.
- Disconnect product and allow cooling prior to servicing.
- Any alteration or modification of this product is expressly forbidden as it may cause serious personal injury, death, property damage, and/or product malfunction.
- To prevent product malfunction an/or electrical shock this product must be properly grounded.
- This luminaire is designed to operate in ambient temperatures ranging from -40°F to 113°F and to be horizontally mounted with the LEDs facing down.
- This product must be installed in accordance with the applicable installation code by a person familiar with the construction and operation of the product and the hazards involved.
- MIN 167°F (75°C) SUPPLY CONDUCTORS.
- CONSULT A QUALIFIED ELECTRICIAN TO ENSURE CORRECT BRANCH CIRCUIT CONDUCTOR.
- CAUTION - RISK OF FIRE.
- This product is not suitable for several special environments, such as places with corrosive gas liquids or high pressure water vapor.

## Installation Guide

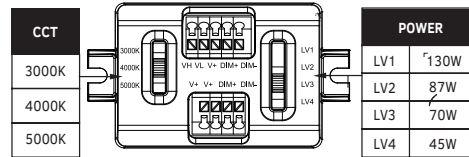
### Step 1

Remove the fixture cover by loosening the eight M5\*16 cover set screws and separate the cable joint connector. If adjustments to power or CCT output are necessary, they may be made now using the two Power & CCT Adjustment Control terminals located inside the fixture.



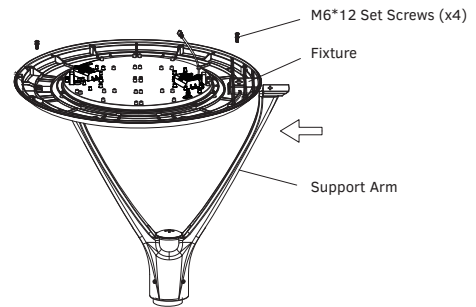
**Power & CCT Adjustment Controls**

After removing the fixture cover, power & CCT can be adjusted using the two adjustment controls. Both controls must be set to the same settings to ensure consistent light output.



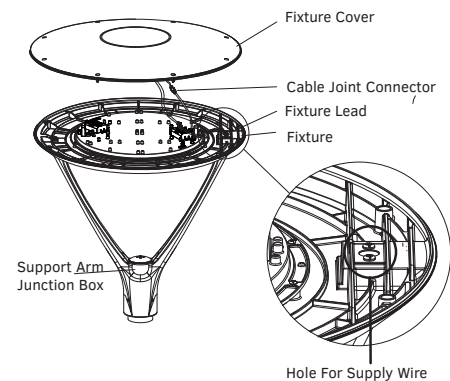
### Step 2

Push the support arm horizontally along the track groove in the fixture, then secure it to the fixture using the four M6\*12 set screws.



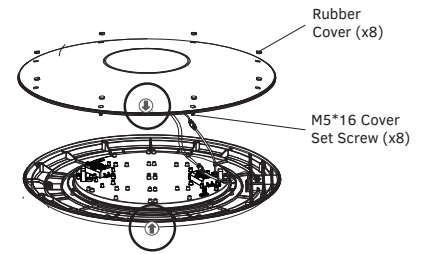
### Step 3

Feed the supply wire through the center of the tenon and through the center hole in the post top support arm. Connect cable joint connector to the driver.



## Step 4

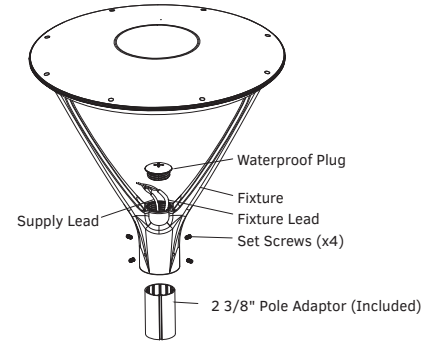
Replace the fixture cover, aligning the arrows on the fixture cover and fixture to ensure proper positioning. Secure the fixture cover using the eight M5\*16 cover set screws and cover them with the eight rubber covers.



When replacing the cover make sure arrows on fixture cover and fixture align to ensure correct fit.

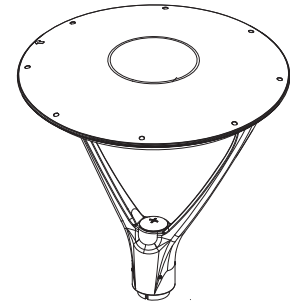
## Step 5

Unscrew the waterproof plug in the middle of the support arm and pull out the fixture lead. Center the luminaire on the tenon and tighten the supplied set screws to securely mount the fixture on the tenon and get access to the power supply lead. The fixture may be directly mounted onto a 3" tenon or onto a 2 3/8" tenon with the included pole adaptor.

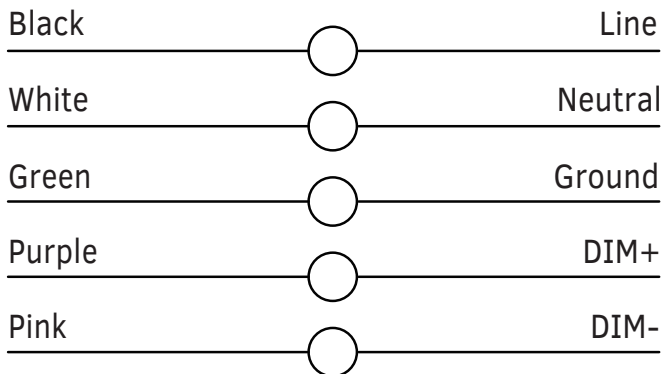


## Step 6

Make wiring connections as per the wiring diagram below. Once connections are completed, carefully push all wires down into the support arm junction box and replace the waterproof plug.



### Wiring Diagram



**NOTE:** Dimming wires are not accessible.

### Photocell Installation

