


130W

Product Overview

The Power & CCT Selectable series GKOPTG4 Post Top Light is available with a Frosted Diffuser or Field Adjustable Optics that allow the lighting professional to choose between Type III, Type IV, and Type V output on-site.

PENDING



Key Features

CONSTRUCTION:

- Rugged die-cast aluminum housing.
- Housing is completely sealed against moisture and environmental contaminants.
- EPA: 0.34 Sq. Ft.

FINISH:

- The exterior is protected by a rust-resistant dark bronze, black, or white powder coat finish that provides superior resistance to weathering and corrosion.
- Field adjustable optics model is available in dark bronze finish only.

OPTICS:

- Light engines are available in selectable 3000K, 4000K and 5000K configurations.
- A range of lumen options available from 7,200 to 16,510 Lumens, replaces up to 400W metal halide.
- Polycarbonate lens is precisely designed to give a specific light distribution, maximizing efficiency and application spacing.
- Available with frosted diffuser, special order prismatic diffuser, or field adjustable optics that allow selection between Type III, Type IV, and Type V light output.

ELECTRICAL:

- 120-347V or 277-480V input voltage. 277-480V is special order only, contact customer service for lead time.
- Built-in 6kV surge protection with additional optional 10kV for 120-277V or 20kV for 277-480V (factory-installed, extended lead time).
- 0-10V dimming driver(s) standard.
- THD: ≤20%, Power Factor: ≥90%.

LISTINGS:

- DesignLights Consortium® (DLC) Premium qualified (pending).
- UL Wet Location Listed.
- Rated for ambient operating temperature -40°F to 104°F (-40°C to 40°C).

CONTROLS:

- Power & CCT adjustment controls are included, enabling power selection from 100%, 80%, 60%, or 40%, and CCT selection from 3000K, 4000K, and 5000K.
- Integrated photocell uses far micro-infrared sensors to accurately distinguish between fixture light and natural ambient light, with cap included to disable. Not compatible with motion sensor.
- Optional plug & play PIR motion sensor - ANT-6-4T (field-installed). Remote required to change default motion sensor settings. Available for white Frosted Diffuser model only. Not compatible with photocell.
- Optional RC-100 motion sensor remote control - required for changing the motion sensor default settings, allows the user to program multiple sensors with ease and program the sensor after the fixture is installed.
- Bluetooth NLC Listed plug & play PIR motion sensor, utilizing a Bluetooth SIG mesh network operated with iOS, Android, and web, optional for all models - ANT-6-4T-BLE-SR (field-installed). Available for white Frosted Diffuser model only. Not compatible with photocell.

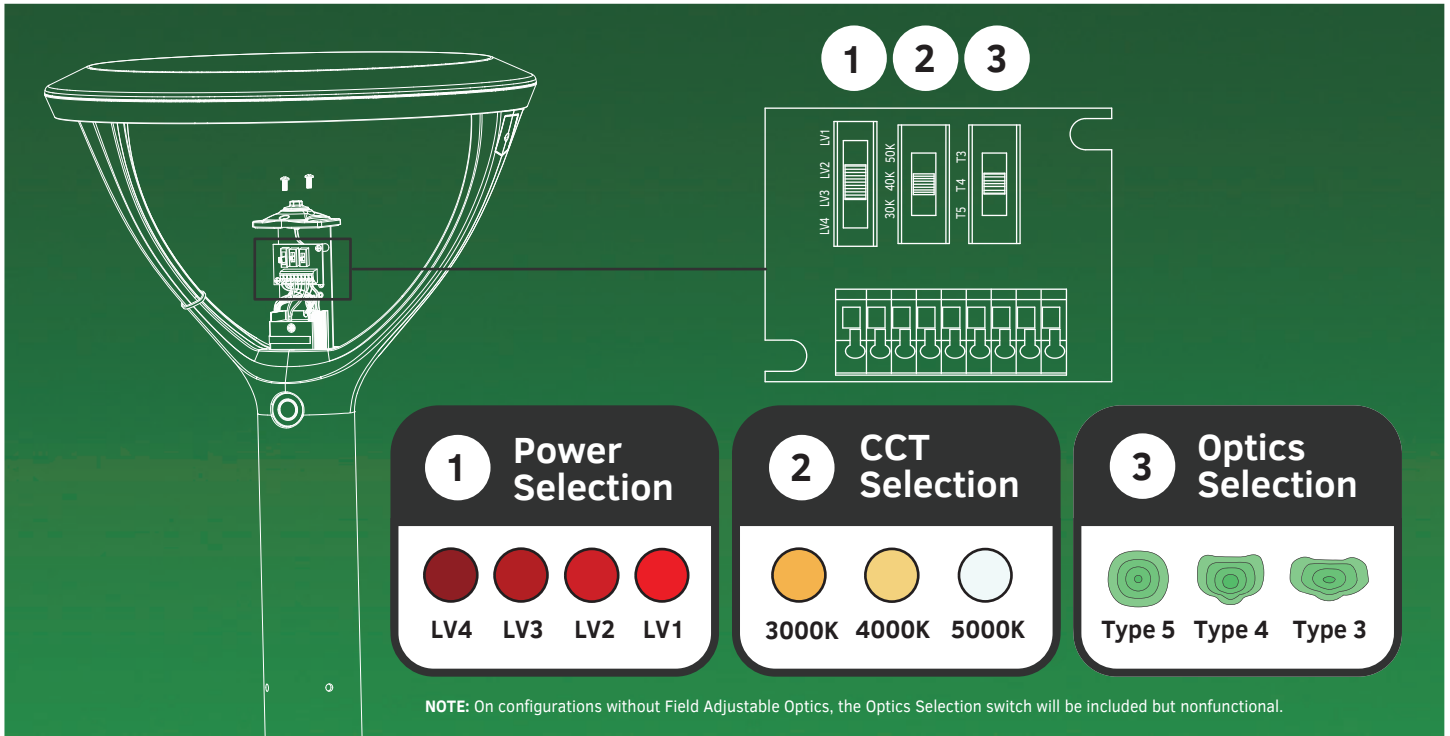
INSTALLATION:

- Suitable for mounting heights ranging from 9'-12'.
- Compatible with round poles with a standard diameter of 3" and 2 3/8" (requires the use of included vibration-resistant pole sleeve adaptor). Also compatible with 4" and 5" square and round poles with optional pole adaptor (sold separately).

WARRANTY:

- 5 Year Limited Warranty.

Power & CCT Adjustment Controls / Field Adjustable Optics



Performance Data

Fixed Optics 130W Model

Setting	System Watts	CRI	Lumens (3000K)	Efficacy (3000K)	Lumens (4000K)	Efficacy (4000K)	Lumens (5000K)	Efficacy (5000K)
LV1	130W	80	15500lm	119lm/W	16500lm	127lm/W	16000lm	123lm/W
LV2	104W	80	12800lm	123lm/W	13500lm	130lm/W	13200lm	127lm/W
LV3	78W	80	10500lm	135lm/W	11000lm	141lm/W	10800lm	138lm/W
LV4	52W	80	7200lm	138lm/W	7600lm	146lm/W	7400lm	142lm/W

Field Adjustable Optics 130W Model - Type 3 / Type 5 Light Distribution

Setting	System Watts	CRI	Lumens (3000K)	Efficacy (3000K)	Lumens (4000K)	Efficacy (4000K)	Lumens (5000K)	Efficacy (5000K)
LV1	130W	80	18000lm	138lm/W	19500lm	150lm/W	18500lm	142lm/W
LV2	104W	80	15200lm	146lm/W	16000lm	154lm/W	15500lm	149lm/W
LV3	78W	80	12000lm	154lm/W	13000lm	167lm/W	12500lm	160lm/W
LV4	52W	80	8500lm	163lm/W	9000lm	173lm/W	8750lm	168lm/W

Field Adjustable Optics 130W Model - Type 4 Light Distribution

Setting	System Watts	CRI	Lumens (3000K)	Efficacy (3000K)	Lumens (4000K)	Efficacy (4000K)	Lumens (5000K)	Efficacy (5000K)
LV1	130W	80	18500lm	142lm/W	20000lm	154lm/W	19500lm	150lm/W
LV2	104W	80	15500lm	149lm/W	16500lm	159lm/W	16000lm	154lm/W
LV3	78W	80	12500lm	160lm/W	13500lm	173lm/W	13000lm	167lm/W
LV4	52W	80	8700lm	167lm/W	9500lm	183lm/W	9100lm	175lm/W

Electrical Data

Number Of Drivers	Driver Current (mA)	Nominal Power (W)	Input Voltage (V)	Current (Amps)
1	600	130	120	1.08
		130	208	0.63
		130	240	0.54
		130	277	0.47
		130	347	0.37
		130	480	0.27

Accessories



INTEGRATED PHOTOCELL

Included integrated photocell adds dusk to dawn function for additional energy savings, accurately differentiating between fixture light and natural light using far micro-infrared sensors. Cap photocell to disable dusk to dawn function. Not compatible with motion sensor.



PIR MOTION SENSOR

Optional field-installed plug & play PIR multi-level motion sensor detects occupancy in an area for additional energy savings. Remote required to change default motion sensor settings. Available for white Frosted Diffuser model only. Not compatible with photocell.



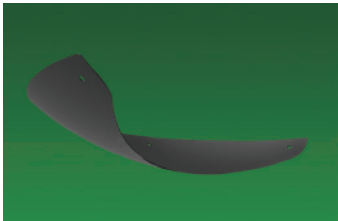
BLUETOOTH NLC LISTED PIR MOTION SENSOR

Optional field-installed, center-mounted plug & play Bluetooth PIR motion sensor adds Networked Control functionality utilizing a Bluetooth SIG mesh network operated with iOS, Android, and web. Available for white Frosted Diffuser model only. Not compatible with photocell.



MOTION SENSOR REMOTE CONTROL

Optional remote control is required to program the motion sensor with advanced lighting control options.



BACKLIGHT CONTROL

Special order backlight control blocks light spillover to comply with local ordinances.

Mounting Options



POLE MOUNT

Default configuration allows mounting on round poles with a standard diameter of 3" and, with the durable vibration-resistant pole sleeve adaptor, round poles with a standard diameter of 2 3/8".



CONDUIT PENDANT MOUNT

Special order configuration allows mounting with a 1/2" or 3/4" conduit pendant. Contact customer service for lead time.



GOOSENECK MOUNT

Special order configuration allows mounting with a 1/2" or 3/4" gooseneck. Contact customer service for lead time.



WALL MOUNT

Special order configuration allows mounting to a wall. Contact customer service for lead time.



SQUARE POLE MOUNT

Special order configuration allows mounting to a square pole. Contact customer service for lead time.



SURFACE MOUNT

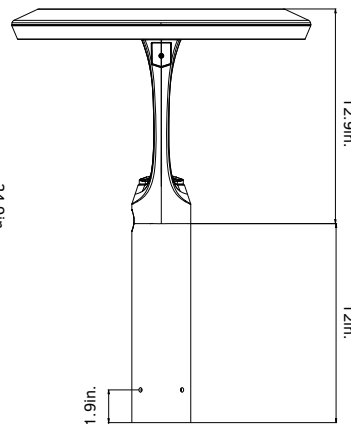
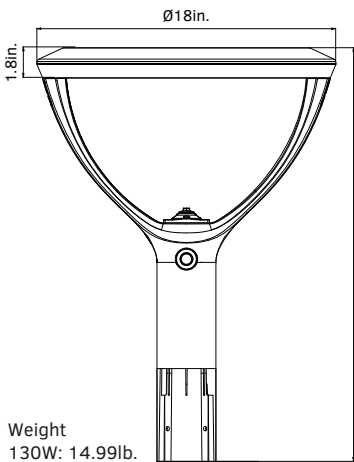
Special order configuration allows flush mounting to a surface. Contact customer service for lead time.

Additional Accessories

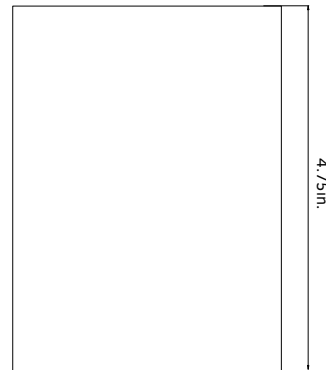
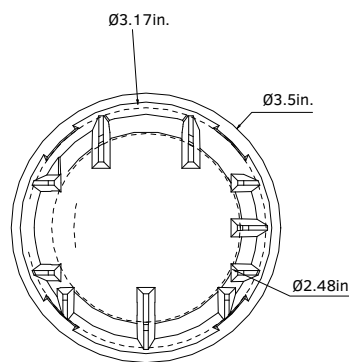
POLE BRACKET • Optional but required for 4" and 5" square and round poles.			
	<p>4" Square Pole Mount with 2-3/8" O.D. Tenon No. 4SQ-SP-D Finish: Dark Bronze For use with square, non-tapered steel and aluminum poles. Furnished with four 5/16" hex head stainless-steel bolts. Vertical tenon measures 2-3/8" O.D., and is made of steel tubing.</p>		<p>4" Round Pole Mount with 2-3/8" O.D. Tenon No. 4RQ-SP-D Finish: Dark Bronze For use with Round, non-tapered steel and aluminum poles. Furnished with three 3/8" hex head stainless-steel bolts. Vertical tenon measures 2-3/8" O.D., and is made of steel tubing.</p>
	<p>5" Square Pole Mount with 2-3/8" O.D. Tenon No. 5SQ-SP-D Finish: Dark Bronze For use with square, non-tapered steel and aluminum poles. Furnished with four 5/16" hex head stainless-steel bolts. Vertical tenon measures 2-3/8" O.D., and is made of steel tubing.</p>		<p>5" Round Pole Mount with 2-3/8" O.D. Tenon No. 5RQ-SP-D Finish: Dark Bronze For use with Round, non-tapered steel and aluminum poles. Furnished with three 3/8" hex head stainless-steel bolts. Vertical tenon measures 2-3/8" O.D., and is made of steel tubing.</p>

Dimensions & Weight

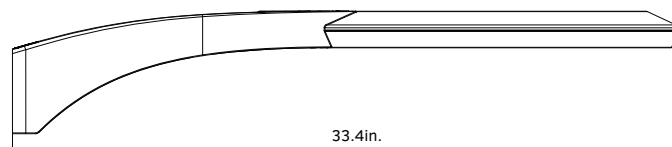
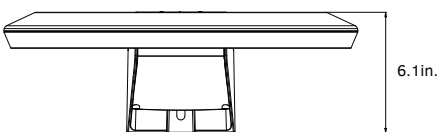
With Pole Mount (Default)



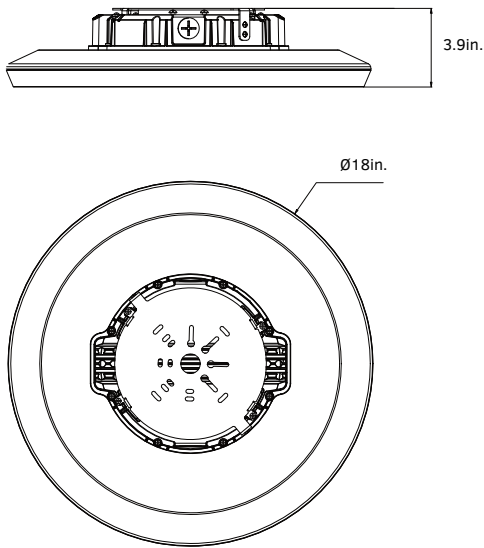
Pole Sleeve



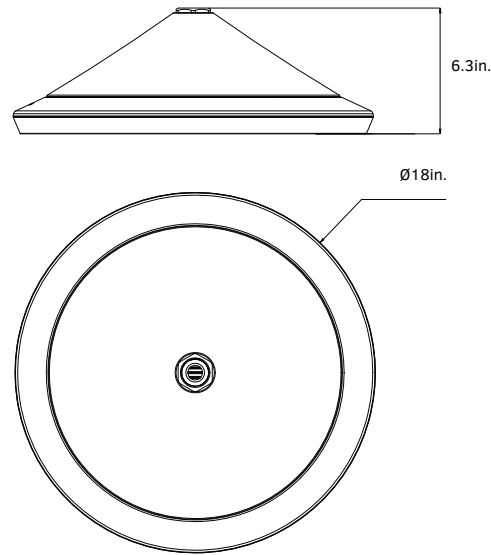
With Wall Mount / Square & Round Pole Mount (Special Order)



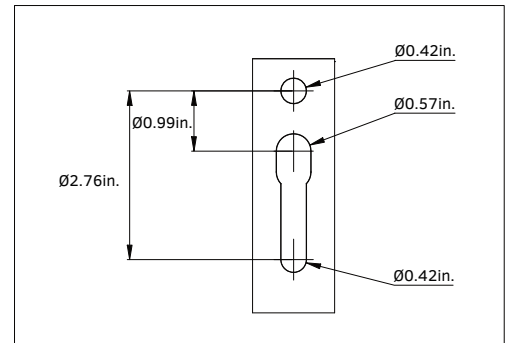
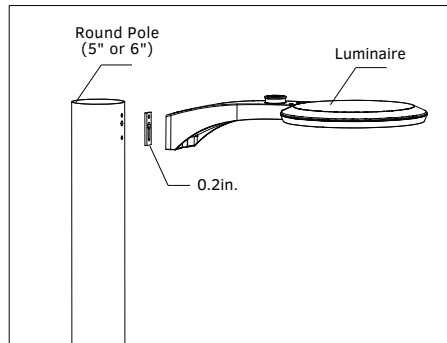
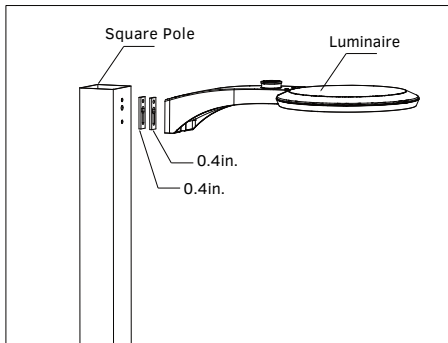
With Surface Mount (Special Order)



With Conduit Pendant / Gooseneck Mount (Special Order)



Square & Round Pole Mounting Dimensions



Ordering Information

Post Top Light GKOPTG4

Example: GKOPTG4130W27VDDKYYYY

Fixture Type	Wattage	Voltage	CCT	Finish	Photocell	Sensor (Optional)	Adjustment Dial	Mounting	Photometry	Internal Code
<input type="checkbox"/>	<input type="checkbox"/>	<input type="checkbox"/>	<input type="checkbox"/>	<input type="checkbox"/>	<input type="checkbox"/>	<input type="checkbox"/>	<input type="checkbox"/>	<input type="checkbox"/>	<input type="checkbox"/>	<input type="checkbox"/>
GKOPTG4	130W	34V 120-347V 48V 277-480V ¹	DDK Power & CCT Selectable	D Dark Bronze B Black ² W White ²	P With Photocell ³ Blank Without Photocell	M With Motion Sensor ⁴ Blank Without Motion Sensor	AD With Adjustment Dial	Blank Pole Mount SQ Square Pole Mount ¹ WM Wall Mount ¹ GM Gooseneck Mount ¹ CM Pendant Mount ¹ SM Surface Mount ¹	FD Frosted Diffuser PD Prismatic ¹ Diffuser AT Field Adjustable Optics	Blank Alphanumeric

- NOTE:** 1. Special order only. Contact customer service for lead time.
 2. Field Adjustable Optics model is not available in black or white finishes.
 3. Photocell option is not available with conduit pendant, gooseneck, or surface mount.
 4. Motion sensor option is only available for white Frosted Diffuser model.