

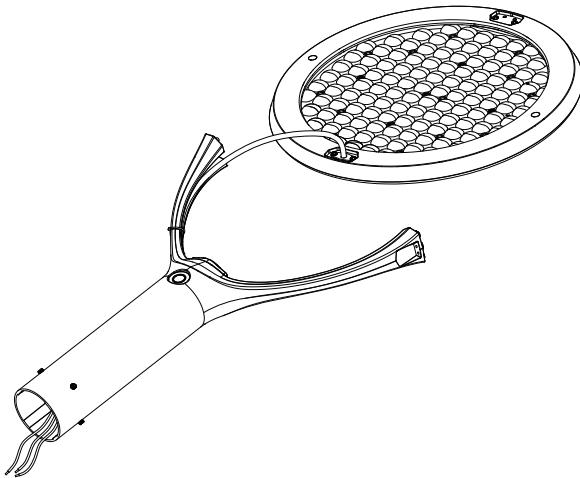
! WARNING

PLEASE READ ALL INSTRUCTIONS BEFORE ATTEMPTING INSTALLATION

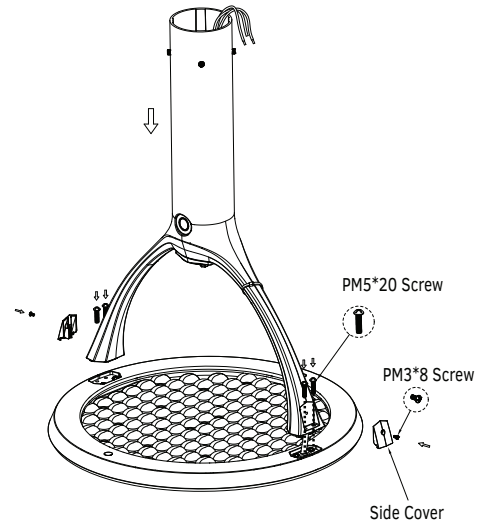
- To prevent personal injury or product damage only licensed electricians should install.
- To avoid electric shock or component damage, disconnect power before attempting installation or servicing.
- This product must be installed in accordance with the national electric code (NEC) and all applicable federal, state, and local electric codes and safety standards.
- Disconnect product and allow cooling prior to servicing.
- Any alteration or modification of this product is expressly forbidden as it may cause serious personal injury, death, property damage, and/or product malfunction.
- To prevent product malfunction and/or electrical shock this product must be properly grounded.
- This luminaire is designed to operate in ambient temperatures ranging from -40°F to 104°F.
- This product must be installed in accordance with the applicable installation code by a person familiar with the construction and operation of the product and the hazards involved.
- This product is not suitable for several special environments, such as places with corrosive gas liquids or high pressure water vapor.

Installation Guide

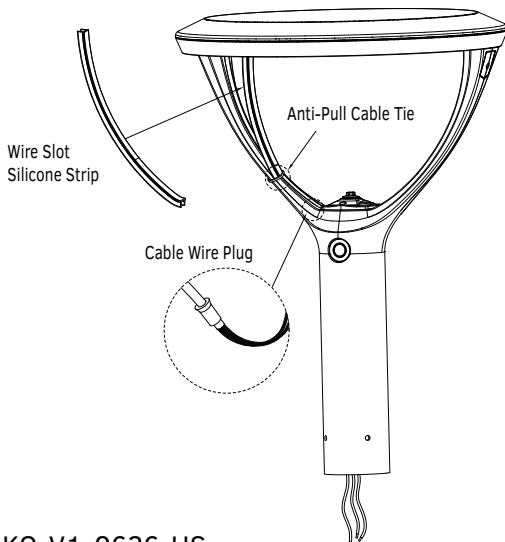
1. Take the lens and the support arm from the packaging at the same time. **IMPORTANT: The lens and support arm are connected by a cable. When taking them out of the packaging, make sure not to pull this cable to avoid damaging the fixture.**



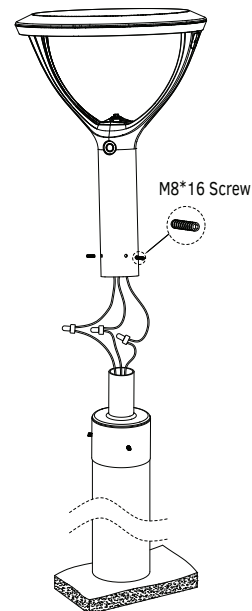
2. Attach the support arm to the lens and secure with the four PM5*20 screws. Attach the two side covers to the support arm and secure with the two PM3*8 screws. A Phillips screwdriver is required.



3. Use scissors to cut the anti-pull cable tie on the support arm. Take the silicone strip out of the wire slot and tidy up all cables and rubber plugs. Replace the silicone strip, making sure that the groove in the support arm is completely covered and that the power cord is not exposed.

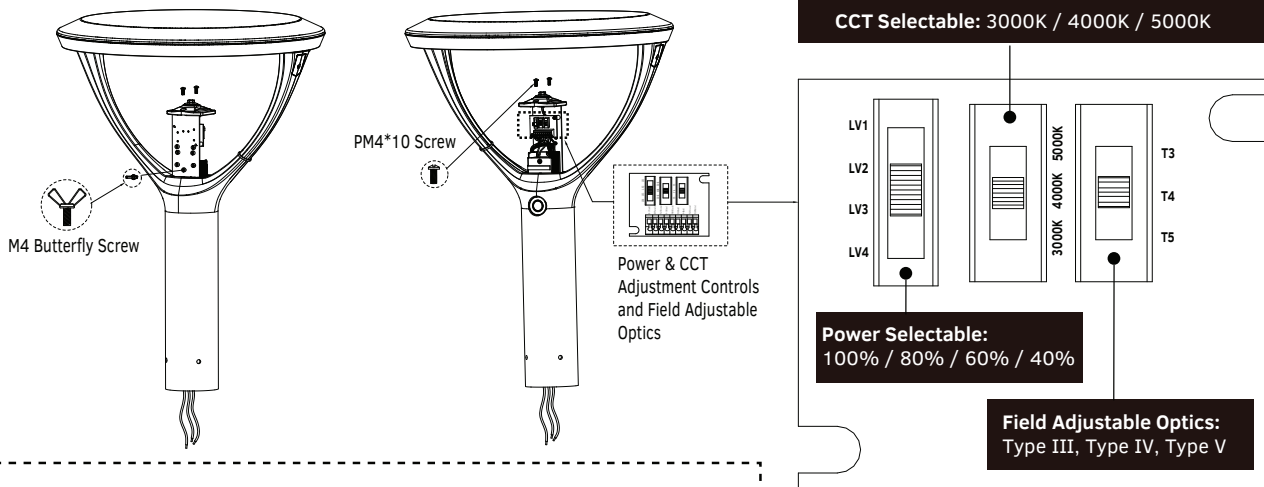


4. Connect the mains power supply, attach the post top light to the pole, and tighten the four M8*16 screws to complete installation.



Power & CCT Adjustment Controls (Included) & Field Adjustable Optics (Included On Select Models)

1. Loosen the two PM4*10 screws using a Phillips screwdriver smaller than 7", pull out the driver mounting plate, and install the M4 butterfly screw in the back of the driver mounting plate to prevent the driver mounting plate from falling.
2. Use the dip switches to adjust Power, CCT, and Field Adjustable Optics (if included) settings to the desired values.
3. Loosen the M4 butterfly screw and reinstall the driver mounting plate, then replace the two PM4*10 screws.

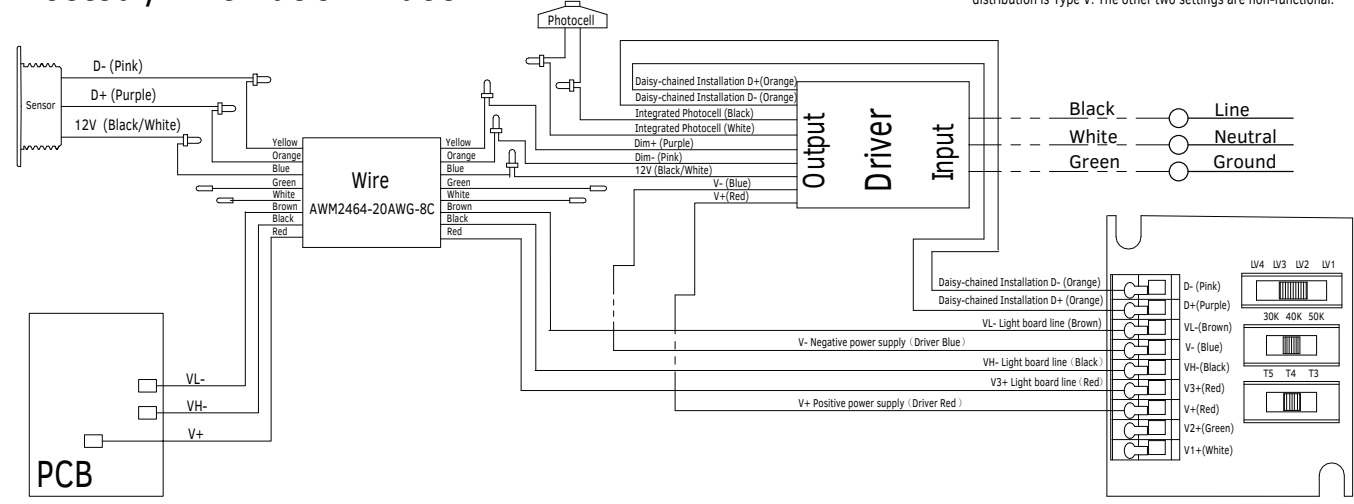


NOTE: The control for Field Adjustable Optics will also be included on models that are not set up for this option. In those cases the default distribution is Type V. The other two settings will be non-functional.

Wiring Diagram

Frosted / Prismatic Diffuser

NOTE: Though the Field Adjustable Optics switch is included on this model, it is not set up to function with this option. The default distribution is Type V. The other two settings are non-functional.



Field-Adjustable Optics

