



## Product Overview

High performing GKOWMG2 Wall Mounts feature a compact and sleek design that is perfect for providing security lighting in entryways, perimeters, and other outdoor areas. CCT adjustment controls are included, allowing the lighting professional to adjust color temperature in the field. An integrated photocell and emergency battery backup are included on all models.

## Key Features

### CONSTRUCTION:

- Rugged die-cast aluminum housing.
- Excellent thermal management design for long lifespan.

### FINISH:

- The exterior is protected by a rust-resistant dark bronze or black powder coat finish that provides superior resistance to weathering and corrosion.

### OPTICS:

- Light engines are available in selectable 3000K, 4000K and 5000K configurations.
- Light output of up to 2,660 lumens.
- Impact and UV-resistant clear polycarbonate lens is precisely designed to give a specific light distribution, maximizing efficiency and application spacing.

### ELECTRICAL:

- Universal 120-277V input voltage.
- Standard 4KV surge protection.
- THD: ≤20%, Power Factor: ≥90%.

### CONTROLS:

- Included CCT adjustment controls allow CCT selection from 3000K, 4000K, and 5000K.
- Included integrated button photocell for further energy savings.
- Included emergency battery backup provides up to 190 minutes of operation during outages. Exact operating time is dependent on ambient temperature.

### INSTALLATION:

- Wall mount, junction box mount, and conduit mount options are available.

### WARRANTY:

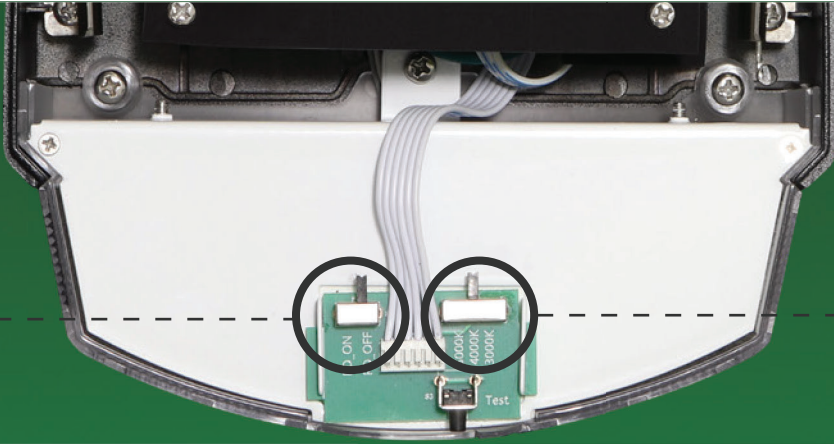
- 5 Year Limited Warranty.

### LISTINGS:

- UL certified for wet locations.
- Rated for ambient operating temperature -4°F to 104°F (-20°C to 40°C).



# Included Features




**Integrated Photocell**


Integrated photocell is included on every model and may easily be turned on or off using an internal switch.

**CCT Selection**


Choice of 3 CCT settings.



3000K



4000K



5000K

**Integrated Battery Backup**

Integrated emergency battery backup offers 4W and over 700 lumens emergency operation during outages. Length of emergency operation is dependent on ambient operating temperature.

-4°F	32°F	64°F to 104°F
100 min	160 min	190 min

# Performance Data

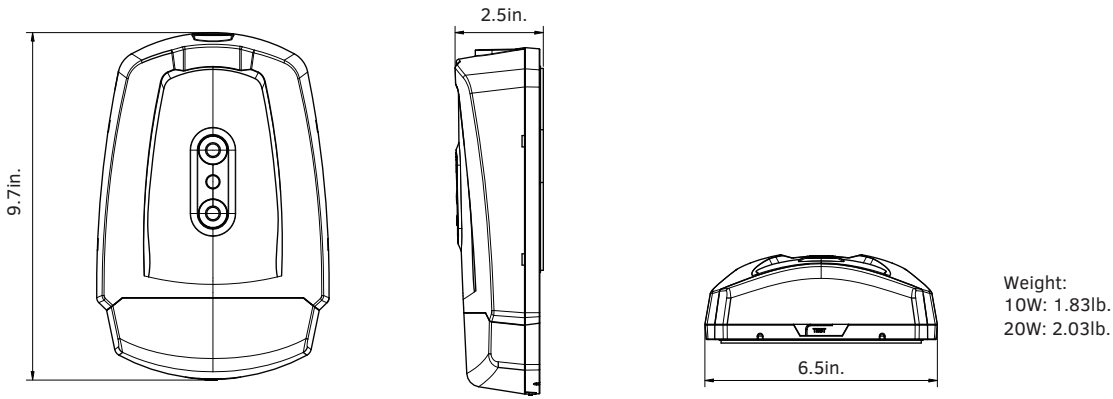
## Lumen Output

System Watts	Voltage	3000K(80CRI)		4000K(80CRI)		5000K(80CRI)	
		Lumens	Efficacy	Lumens	Efficacy	Lumens	Efficacy
10W	120-277VAC	1300lm	130lm/W	1400lm	140lm/W	1350lm	135lm/W
20W	120-277VAC	2550lm	128m/W	2660lm	133lm/W	2600lm	130lm/W

## Electrical Data

Number of Drivers	Driver Current (mA)	Nominal Power (W)	Input Voltage (V)	Current (Amps)
1	310	10	120	0.08
		10	208	0.05
		10	240	0.04
		10	277	0.04
1	620	20	120	0.17
		20	208	0.10
		20	240	0.08
		20	277	0.07

# Dimensions & Weight



# Ordering Information

Wall Mount Series GKOWMG2				Example: GKOWMG210W27VDDKYYYYY						
Fixture Type	Wattage	Voltage		CCT	Finish		Photocell	Emergency Battery	Lens	Internal Code
<input type="text"/>	<input type="text"/>	<input type="text"/>		<input type="text"/>	<input type="text"/>		<input type="text"/>	<input type="text"/>	<input type="text"/>	<input type="text"/>
<b>GKOWMG2</b>	<b>10W</b> <b>20W</b>	<b>27V</b>	120-277V	<b>DDK</b> CCT Selectable	<b>B</b> Black <b>D</b> Dark Bronze		<b>P</b> 120-277V Photocell	<b>B</b> Emergency Battery	<b>C</b> Clear Lens	Blank Alphanumeric