

! WARNING

PLEASE READ ALL INSTRUCTIONS BEFORE ATTEMPTING INSTALLATION

- To prevent personal injury or product damage only licensed electricians should install.
- To avoid electric shock or component damage disconnect power before attempting installation or servicing.
- This product must be installed in accordance with the national electric code (NEC) and all applicable federal, state, and local electric codes and safety standards.
- Disconnect product and allow cooling prior to servicing.
- Any alteration or modification of this product is expressly forbidden as it may cause serious personal injury, death, property damage, and/or product malfunction.
- To prevent product malfunction and/or electrical shock this product must be properly grounded.
- This luminaire is designed to operate in ambient temperatures ranging from -40°F to 104 °F and to be horizontally mounted with the LEDs facing down.
- This product should only be wall-mounted.
- **THIS PRODUCT MUST BE INSTALLED IN ACCORDANCE WITH THE APPLICABLE INSTALLATION CODE BY A PERSON FAMILIAR WITH THE CONSTRUCTION AND OPERATION OF THE PRODUCT AND THE HAZARDS INVOLVED.**
- **MIN 167°F (75°C) SUPPLY CONDUCTORS.**
- This product is not suitable for several special environments, such as places with corrosive gas liquids or high pressure water vapor.

Installation Guide

Wall Mounting

1. Loosen the angle adjustment screw and open the wall pack to access the wall mount box.
2. Loosen the 4 locking screws on the sides of the wall mount box and separate it from the housing.
3. Remove the knockouts in the back of the wall mount box as needed to accommodate mounting screws. Remove matching knockouts from the EVA gasket, making sure to only remove gasket material from the knockouts that will be used to mount.
4. Securely mount wall mount box with EVA gasket to junction box as shown, using 8-32*3/4" screws (not included).
5. Make electrical connections as per the wiring diagram on the next page.
6. Reattach the wall mount box to the housing by pushing on the front of the housing while tightening the locking screws, ensuring the screws are fully seated in the recess. Make sure wiring remains within the wall mount box and wires do not get pinched. Use silicone rubber to ensure a watertight seal.
7. Adjust the fixture angle as desired, then retighten the angle adjustment screw to lock the angle in place.
8. To ensure a waterproof seal, apply weatherproof silicone sealant around the edge of the wall mount box. This is especially important with an uneven wall surface. Silicone all plugs and unused conduit entries.

Figure 1

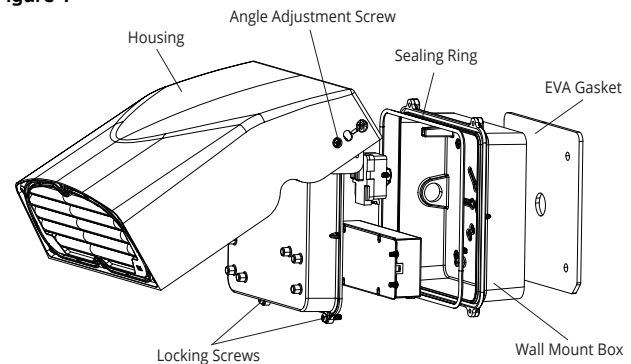


Figure 2
Wall Mount Box Interior

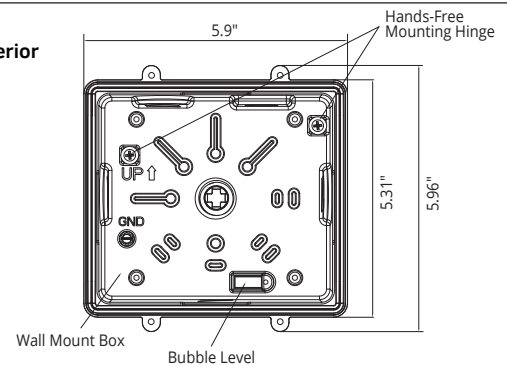
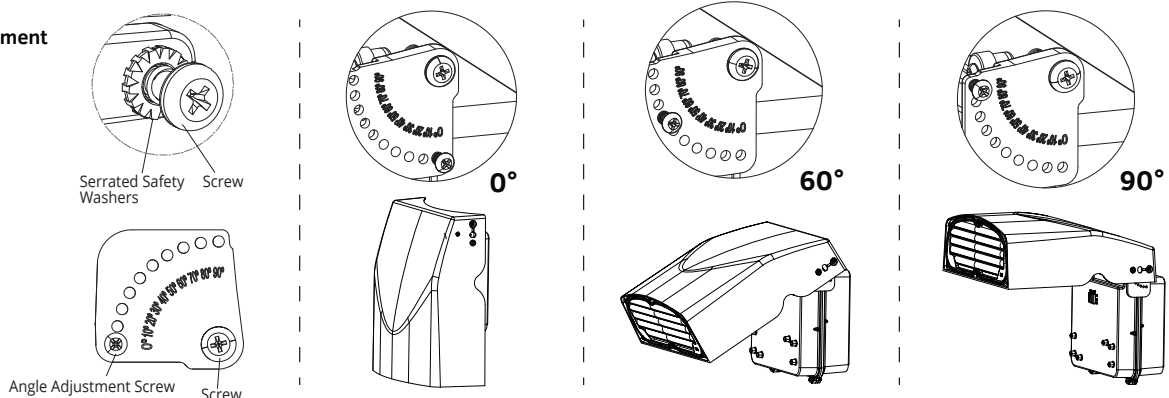
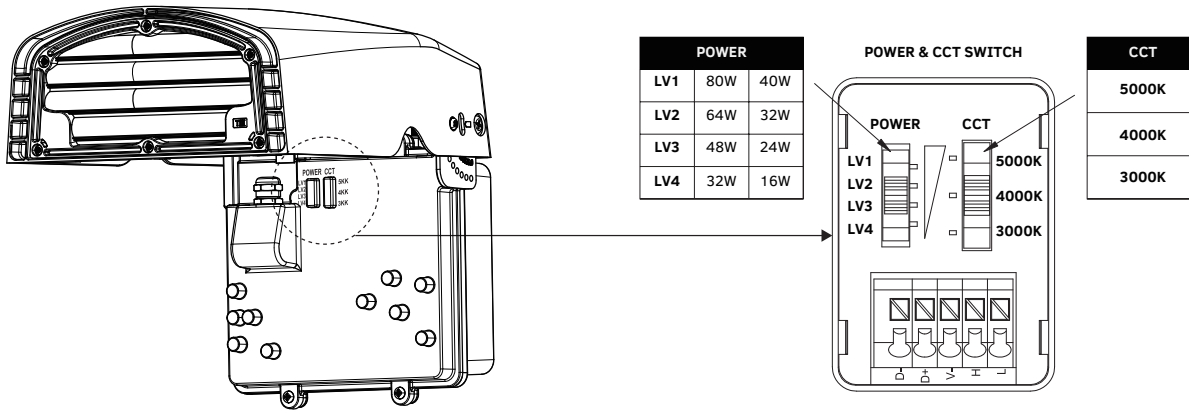


Figure 3
Angle Adjustment



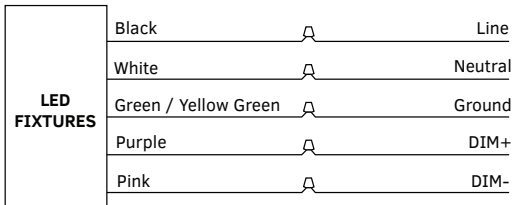
Power & CCT Adjustment Controls - Included

Power & CCT may be adjusted in the field using the two dip switches located on the exterior of the wall mount box (see image below).



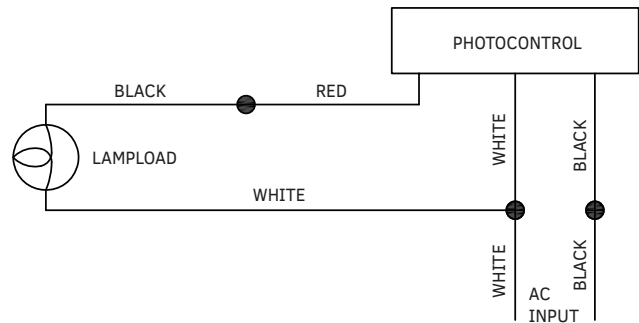
Wiring Diagram

Universal voltage driver permits operation at 60Hz except fixtures factory-ordered with a 120-277VAC photocell (P).



Photocell Installation

Install photocell and wire as per the diagram below. Only use a photocell rated for your supply voltage.



On the 80W model, the light control and the black and white power cord in the mounting box should be connected with a screw cap as shown above.

Cleaning & Maintenance

CAUTION: Before conducting cleaning or maintenance, make sure fixture is cool enough to touch. Do not clean or maintain the fixture while it is energized.

1. Clean lens with non-abrasive glass cleaning solution.
2. Do not open the fixture to clean the LEDs. Do not touch the LEDs.

Troubleshooting

1. Check that the line voltage at the fixture is correct. Refer to the wiring diagram.
2. Make sure the fixture is grounded properly.
3. Make sure the photocell, if used, is functioning properly.